

LED WALL PACK LIGHT SERIES

SES-WP

35W | 55W



Technical Specifications

Watts:	35W/55W
Luminous Flux:	3850/4200/5830/6380lm
CCT:	4000/5000/5700K
Voltage:	AC100-240/100-277V,50/60Hz
Beam Angle:	100°50°
IP:	IP65
CRI:	≥ 70Ra
PF:	>0.9
Lifespan:	50,000 hours



Features

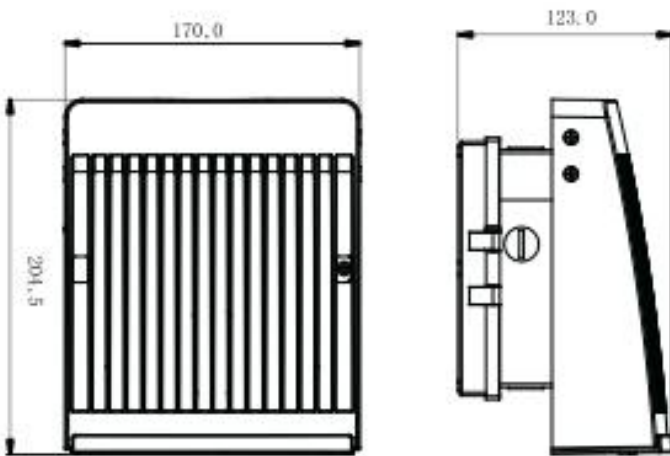
SARIN Energy is proud of its new high power LED Wall pack Light series which is a revolutionary product series that adopts the high quality LEDs to directly replace traditional, and it's suitable for entrance lighting, courtyard lighting, Industrial lighting, Outdoor landscape lighting; Building, The hotel; Wall lighting areas; All kinds of residential area and so on.



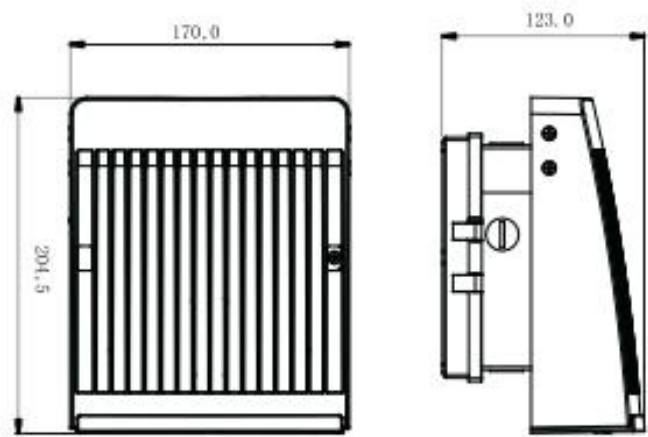
RoHS

Dimensional Diagrams (mm.)

SES-WP05-5700-35

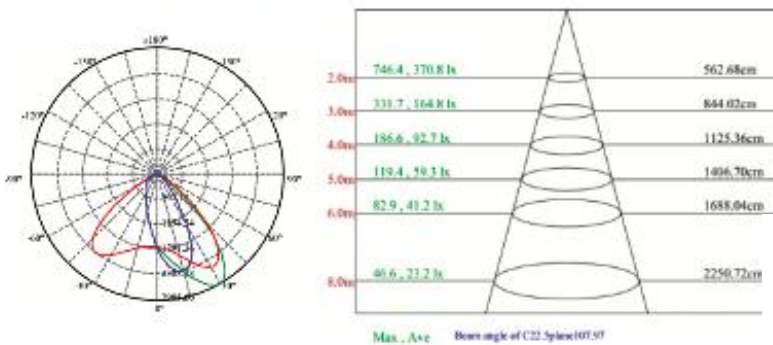


SES-WP05-5700-55



Isolux Diagrams

SES-WP05-5700-35



SES-WP05-5700-55

