

LED SHOEBOX LIGHT SERIES

SES-SBN
400W | 480W



Technical Specifications

| | |
|-----------------|--------------------------------|
| Watts: | 400W 480W |
| Size: | See Reverse |
| Lumen Output: | 52,000lm 62,400lm |
| CCT: | Cool White 5700K |
| Beam Angle: | 150°x85° |
| Voltage: | AC100-240V 100-277V, 50/60Hz |
| Qualifications: | DLC CE cUL RoHS |
| CRI: | ≥80Ra |
| PF: | 0.9 |
| IP Rate: | IP65 |
| Lifespan: | 50,000 hours |



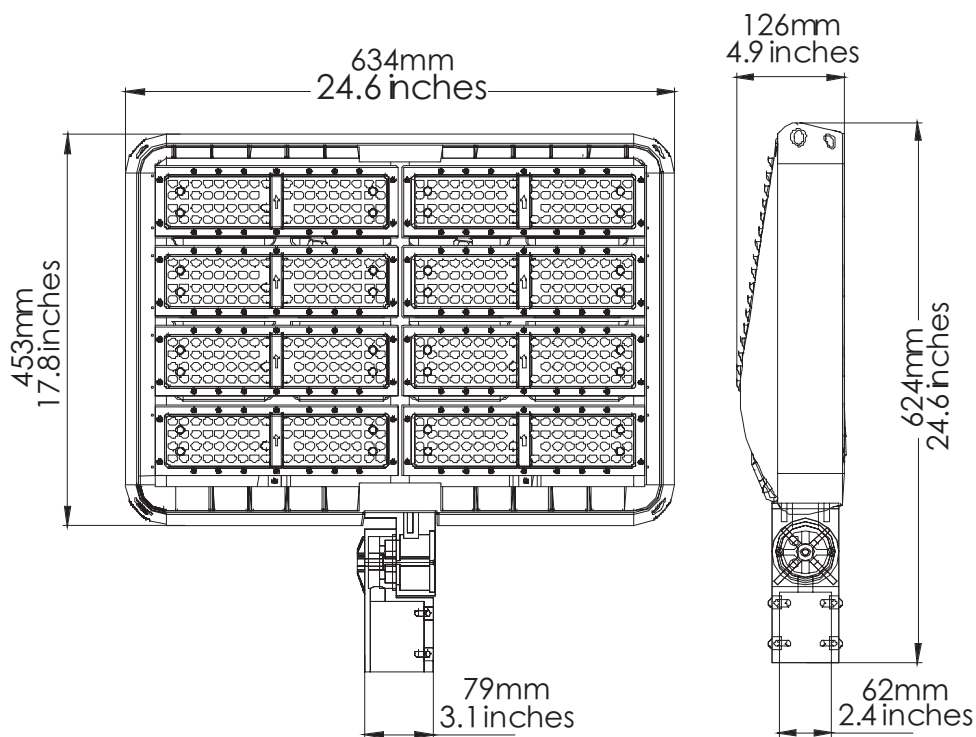
Features

SARIN Energy is proud of its new high power LED Shoebox Light series which is a revolutionary product series that adopts high quality LEDs to directly replace traditional lighting. These lights are suitable for outdoor basketball courts, tennis courts, football fields, entertainment plazas and more.



RoHS

Dimensional Diagrams (in.)



Model Numbers

SES-SBN-5700-400

SES-SBN-5700-480