

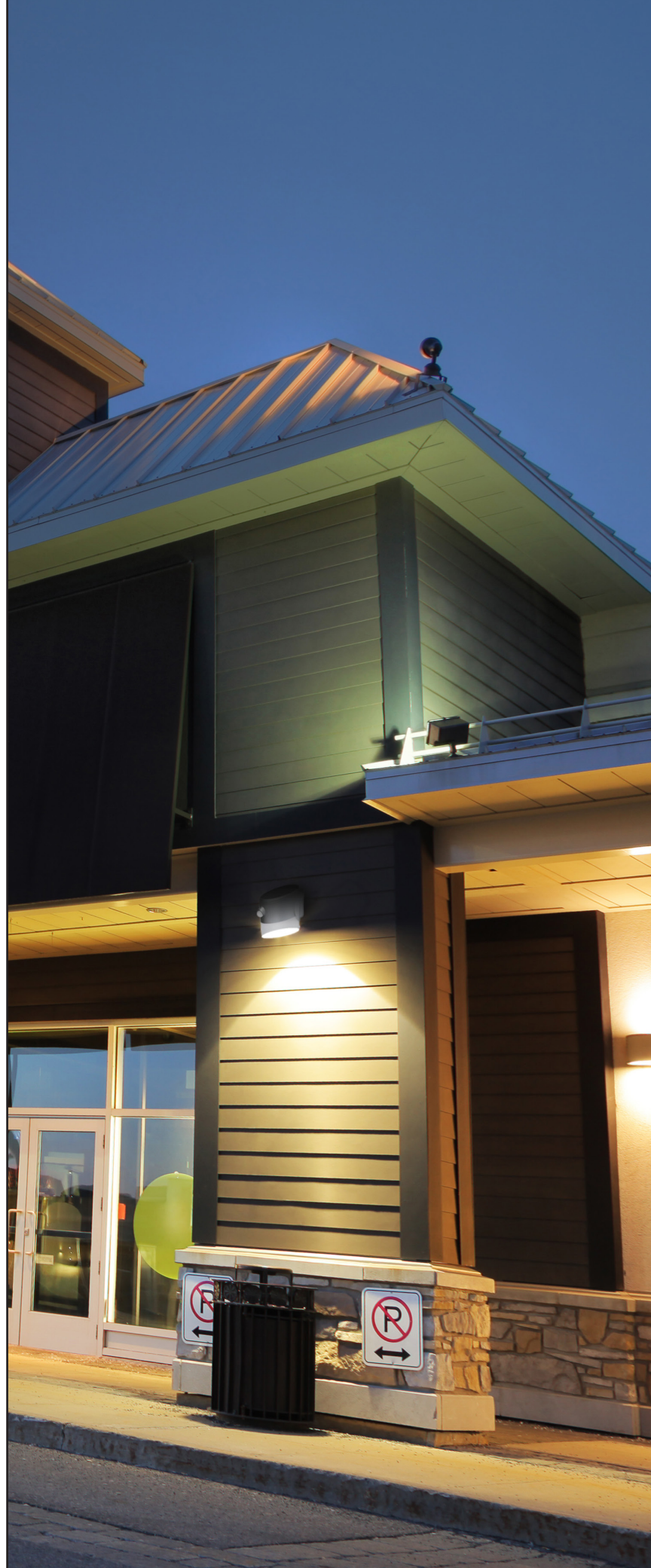
LED SOLAR LIGHT SERIES

SES-SWL-C 2W



Technical Specifications

Watts:	2W
Size:	See Reverse
Lumen Output:	200lm
CCT:	Warm White 3000K
Beam Angle:	120°
Voltage:	DC3.7V
Qualifications:	CE RoHS
CRI:	>80Ra
PF:	0.95
IP Rate:	IP65
Lifespan:	35,000 hours



Features

SARIN Energy is proud of its new Solar LED Wall Light series. This revolutionary product adopts the latest technology, replacing traditional lighting with energy efficient LEDs. These lights are suitable for broad applications and will reduce energy bills to provide significant energy savings.

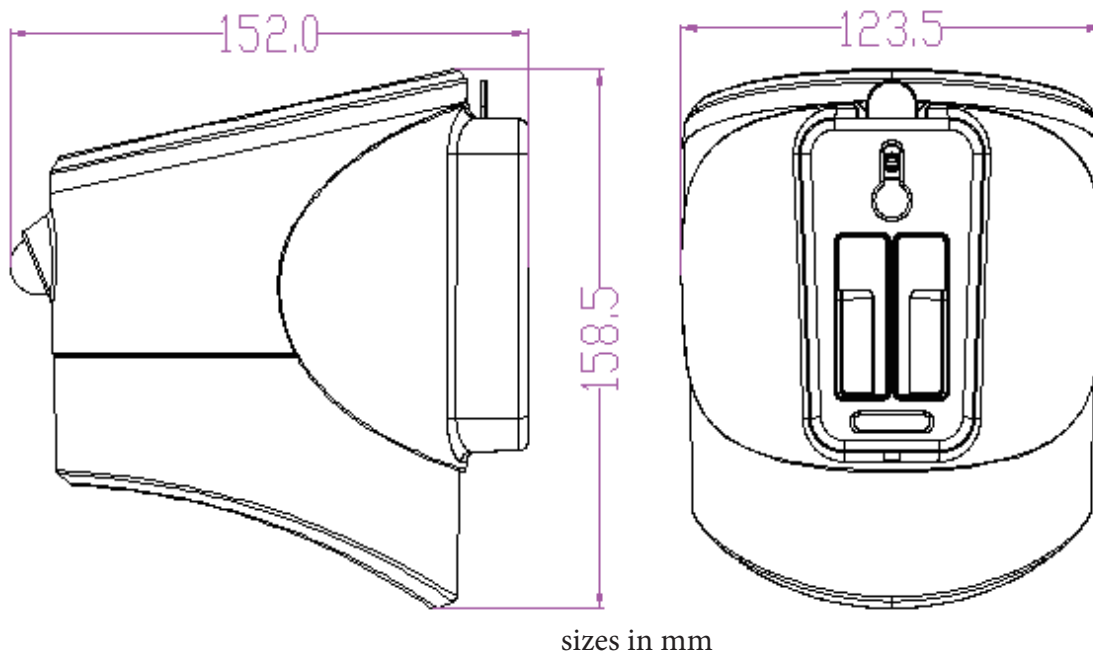
*Patent integrated design



CE

RoHS

Dimensional Diagrams (in.)



Model Numbers

SES-SWL-2W-C