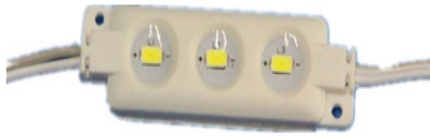


LED MODULE SERIES

SES-LM-WH-3 1.44W



Technical Specifications

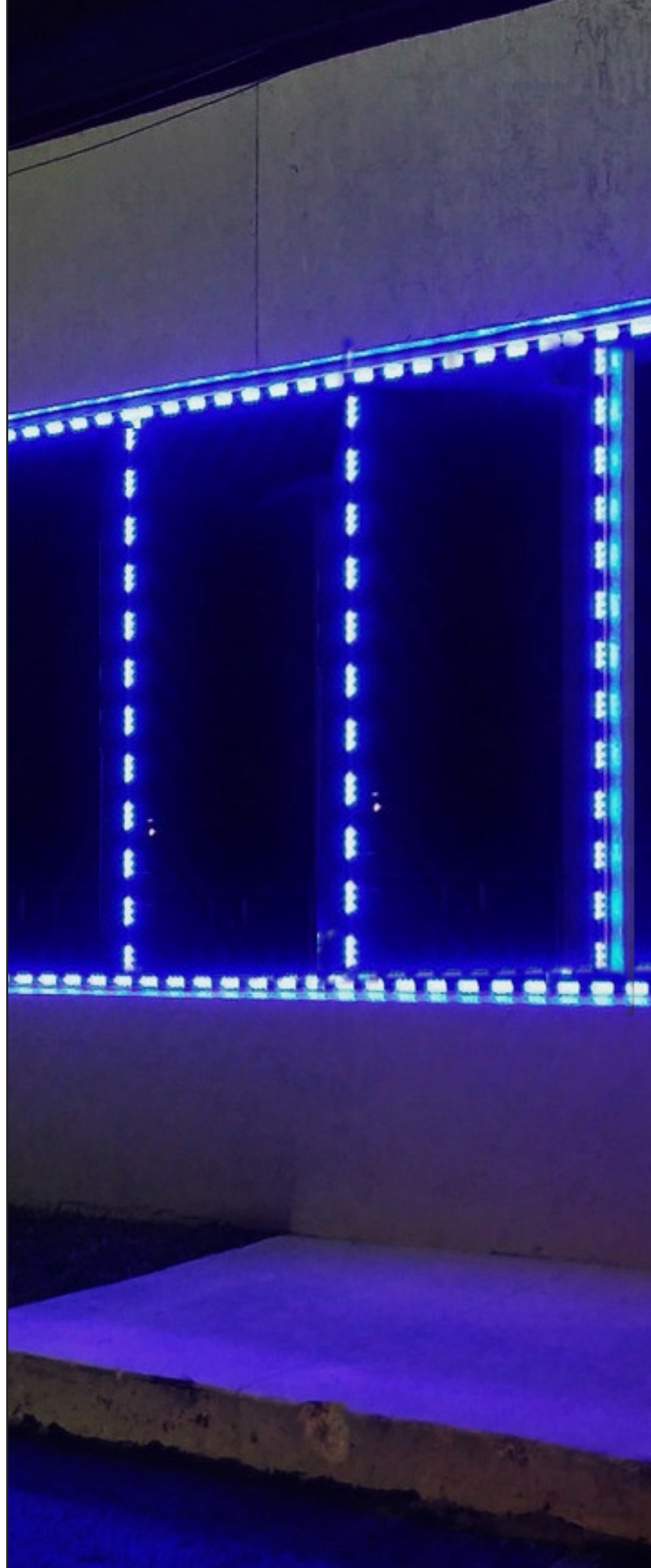
Watts:	1.44W
Lumen Output:	120lm
CCT:	3000-6500K
Voltage:	DC12V
Beam Angle:	160°
CRI:	>75Ra
PF:	0.9
Lifespan:	

SES-LM-RGB-3 .72W



Technical Specifications

Watts:	.72W
Lumen Output:	67lm
CCT:	RGB
Voltage:	DC12V
Beam Angle:	120°
CRI:	>75Ra
PF:	0.9
Lifespan:	25,000 hours

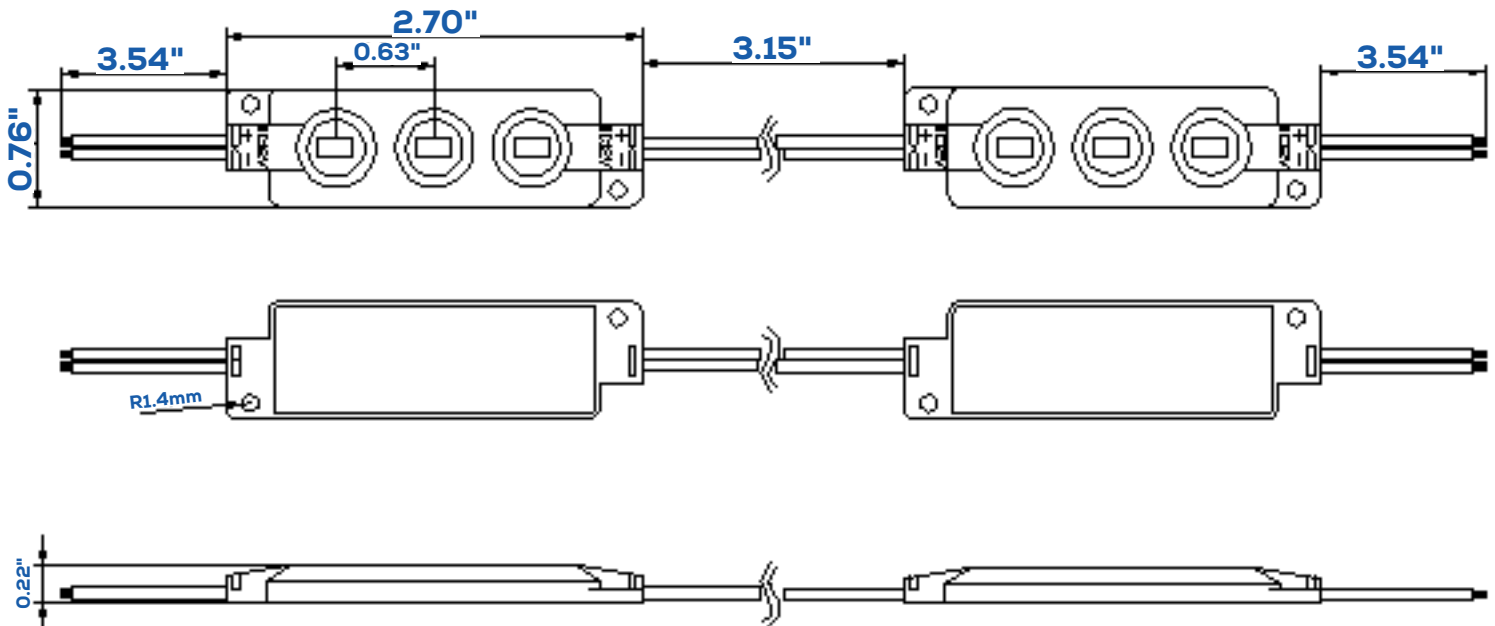


Features

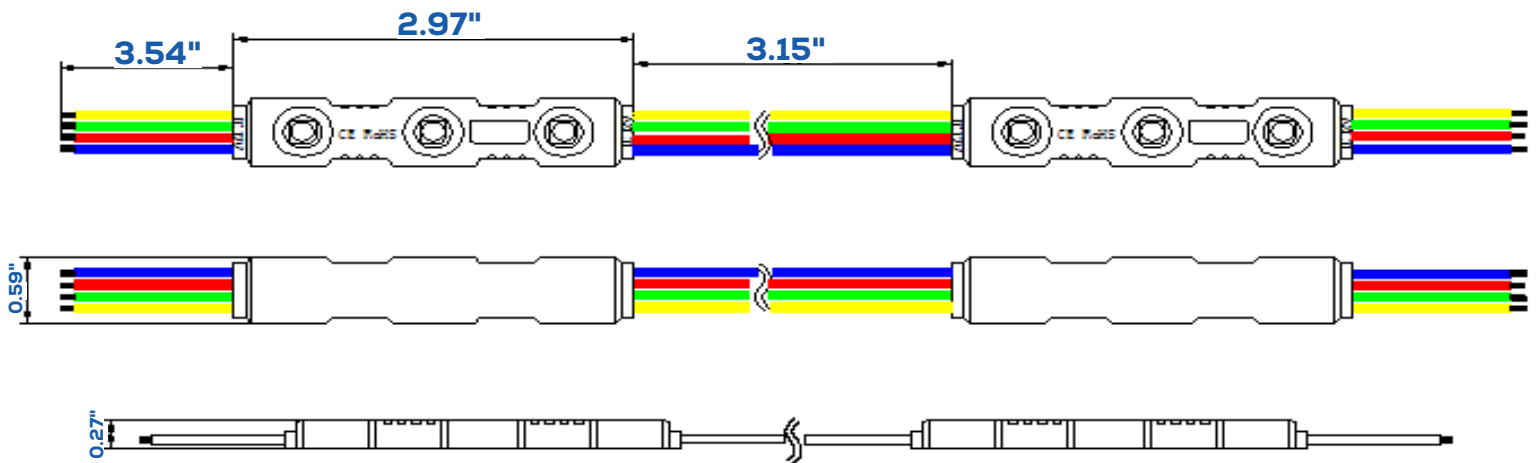
SARIN Energy is proud to offer its high-quality LED Module series. This product adopts the latest LED technology SARIN LED Modules come in RGB or White Light options. These modules provide a perfect LED solution for commercial applications and will provide significant energy savings over the products lifespan of 35,000 hours.

Dimensional Diagrams (in.)

SES-LM-WH-3



SES-LM-RGB-3



Model Numbers

SES-LM-WH-3

SES-LM-RGB-3