

LED POLE LIGHT SERIES

SES-FLT
80W | 100W
150W | 220W | 300W



Technical Specifications

Watts:	80W 100W 220W 300W
Size:	See Reverse
Lumen Output:	8600lm 11,000 lm 16,400lm 24,000lm 32,5000
CCT:	Cool White 5700K
Voltage:	AC100-277V (210V/480V Available)
Beam Angle:	120°
Qualifications:	DLC CE cUL RoHS
Base:	Extruded Arm Adjustable Slipfitter
CRI:	>75Ra
PF:	0.9
IP Rate:	IP65
Lifespan:	50,000 hours



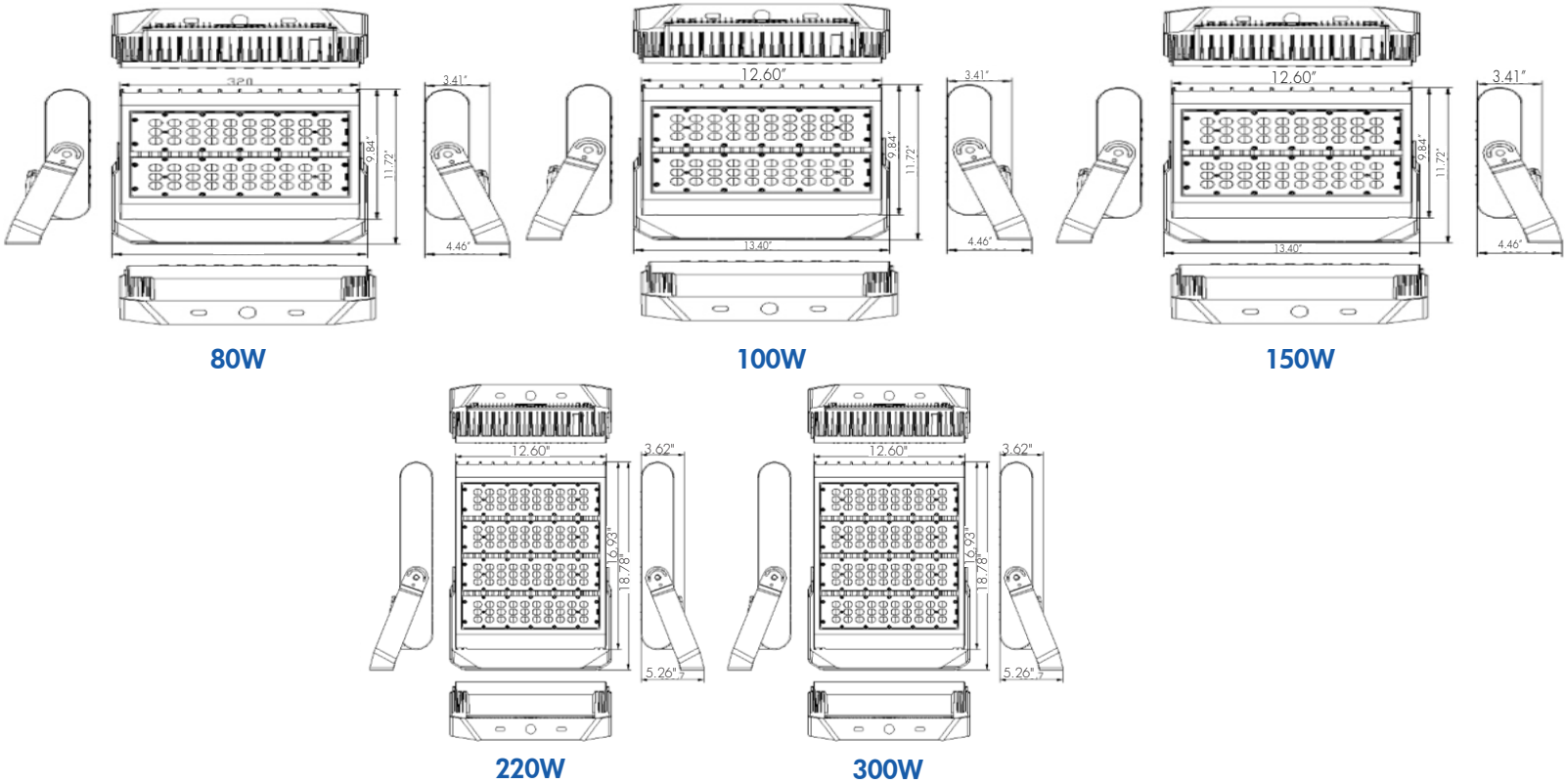
Features

SARIN Energy is proud of its high-quality LED Pole Lights. This product adopts the latest LED technology with high lumen efficiency combined with a IP-65 rating and adaptive design. These fixtures come with extruded arm, adjustable slipfitter or yoke mount applicable to multiple mounting options. SARIN LED pole lights provide a great replacement for traditional metal halides and HPS flood lights providing up to 70% energy savings. These lights have various light distribution options including Type II, III, IV and V. SARIN pole lights are suitable for a variety of applications and have a long-life span of 50,000 hours.

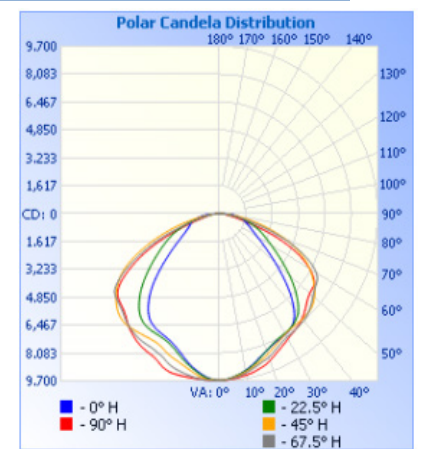
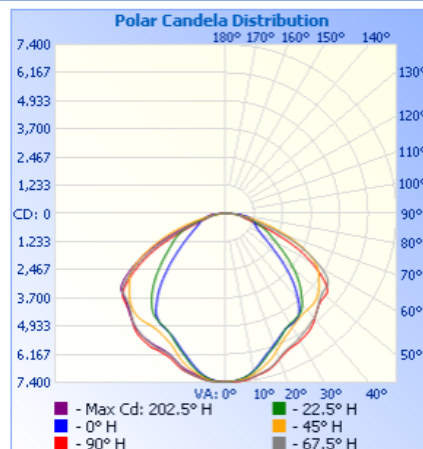
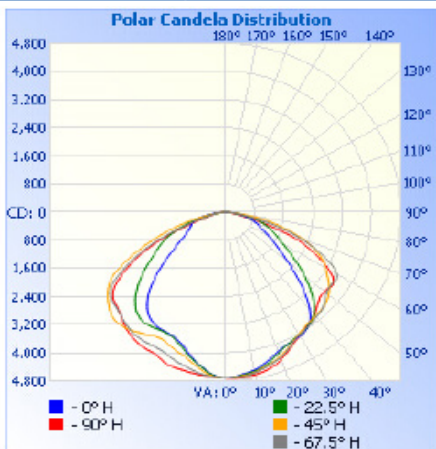


RoHS

Dimensional Diagrams (in.)



Isolux Diagrams



Model Numbers

SES-FLT-5700-80

SES-FLT-5700-100

SES-FLT-5700-150

SES-FLt-5700-220

SES-FLT-5700-300