

## LED WALL PACK SERIES

### SES-WPR

25W | 40W | 60W | 80W



#### Technical Specifications

Watts: 25W | 40W | 60W | 80W

Size: See Reverse

Lumen Output: 3300lm | 5100lm  
7700lm | 12,000lm

CCT: Cool White | 5700K

Beam Angle: 60°

Voltage: AC100-240V

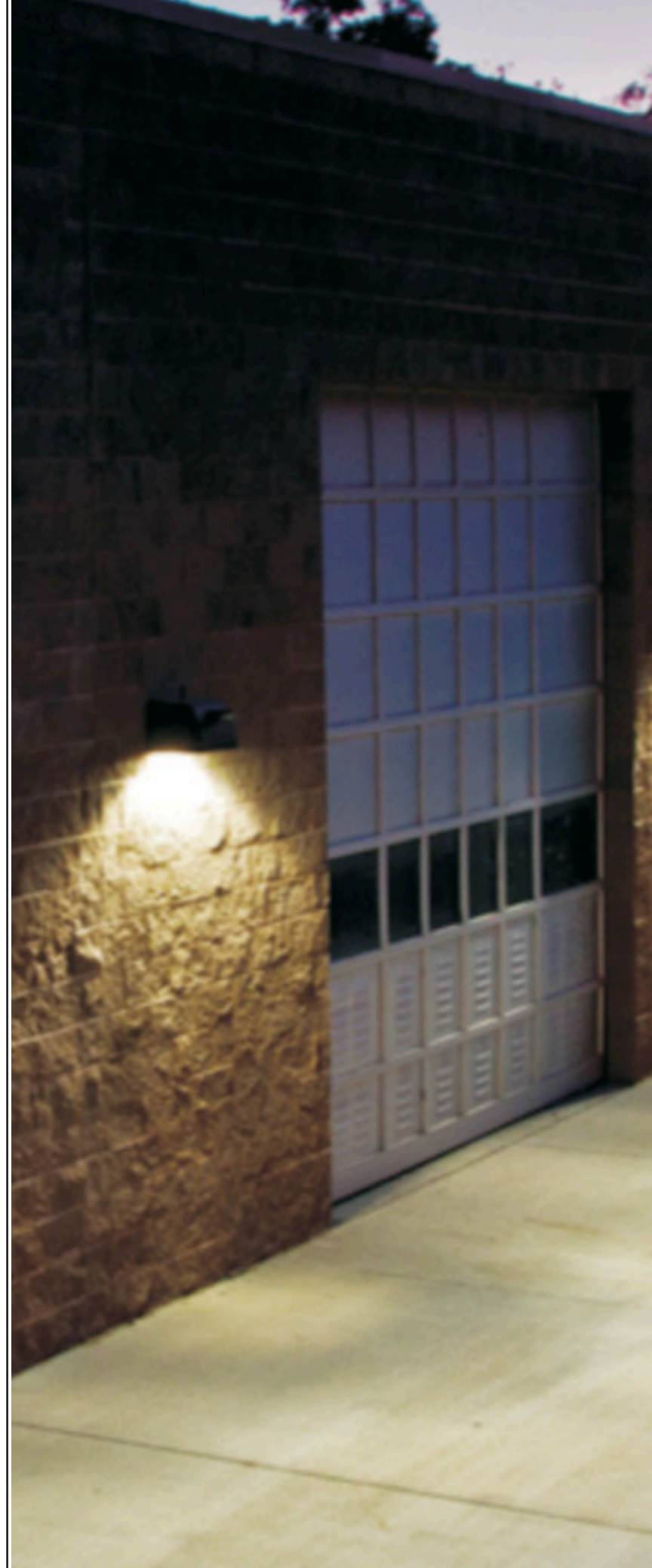
Qualifications: DLC | CE | cUL | RoHS

CRI: ≥80Ra

PF: 0.9

IP Rate: IP65

Lifespan: 50,000 hours



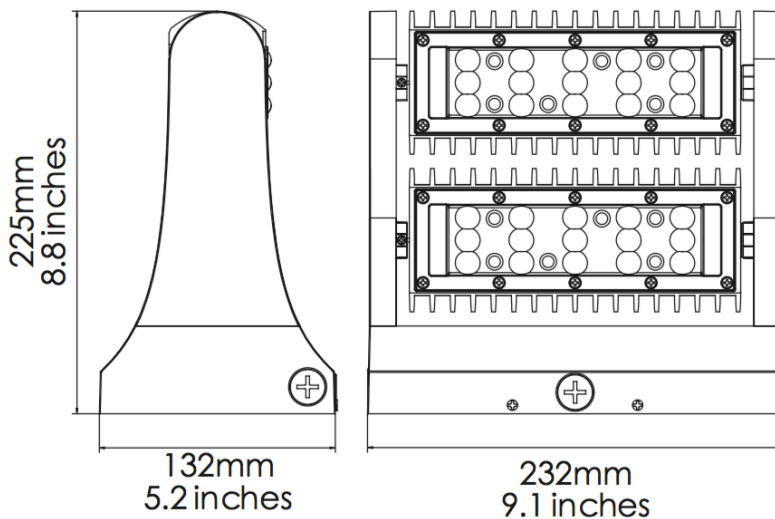
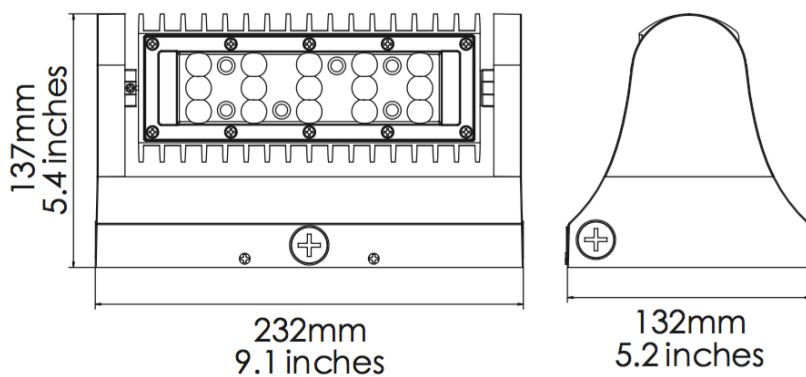
## Features

SARIN Energy is proud of its high-quality LED Wall Packs. This product adopts the latest LED technology with high lumen efficiency combined with a IP-65 rating and adaptive design. SARIN is excited to offer many variety of LED wall pack models to fit various lighting and aesthetic needs. Each of these models provide excellent light distribution while providing energy savings of up to 70%. SARIN wall packs are suitable for a variety of outdoor applications and have a long-lifespan of 50,000 hours.



**RoHS**

## Dimensional Diagrams (in.)



## Model Numbers

SES-WPR-5700-25

SES-WPR-5700-40

SES-WPR-5700-60

SES-WPR-5700-80