



EVC

EV LEVEL 2 CHARGER

Project: _____ Type: _____

Name: _____ Date: _____

Power	11.5KW
Input Voltage	120-250VAC
Input Frequency	50~60HZ
Output Voltage	120-250VAC
Max Output Current	48A
Input line Number	Three Lines: L1, L2, Ground
Charging Method	Plug & charge, Off line card swiping, password charging, online card swiping, APP code scanning
Communication Method	LAN WiFi Bluetooth 4G
Indicator Light	Standby: green light always on; Charging: the green light flashes; Fault: the red light always on
Display Screen	4.3-inch touch screen
Storage Temperature	-22 to 158F°
Working Temperature	-22 to 122F°
Relative Humidity	≤95%
Altitude	≤6,562ft
Operational Environment	Outdoor (with canopy), indoor
Usage Occasion	Household and commercial charging
Leakage Protection	Yes, CCID20
Low-Voltage & Overcurrent Protection	Yes
Ground Protection & Overvoltage Protection	Yes
Abnormal Protection of Charging Plug Wire Connection	Yes
Installation Method	Wall-mounted or Floor-standing
Number of Interfaces	1 (line length 16.4'), customizable charging plug line ≤ 24.6'
Size	15.02"x9.50"x4.13"
Product Weight	15.4lbs
Housing Material	PC and ABS mixed material
Custom Logo, Appearance & Specification	Yes



(Optional Pedestal Mount)



SARIN's Level 2 EV Chargers are an all-in-one solution for commercial charging needs. They integrate charging control, communication, billing, and metering functions. With 4X level protection, they are safe for both indoor and outdoor use (if installed under an awning or other cover).





EVC

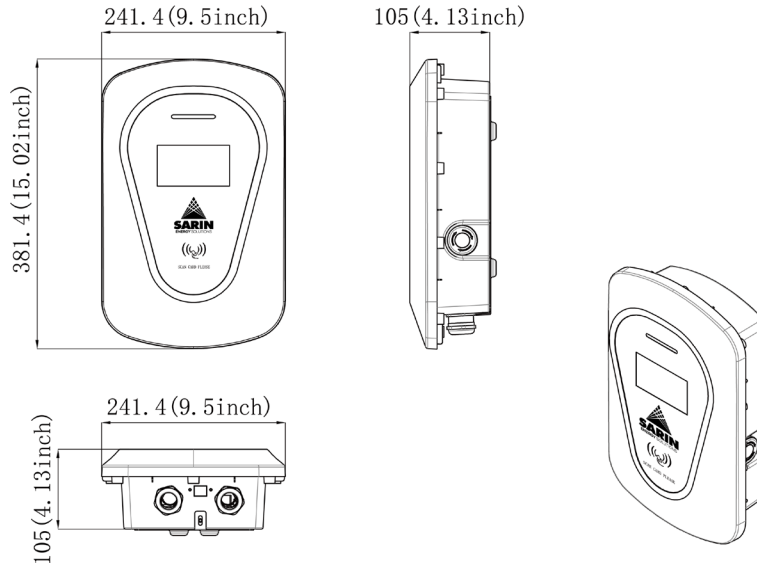
EV LEVEL 2 CHARGER

Project: _____ Type: _____

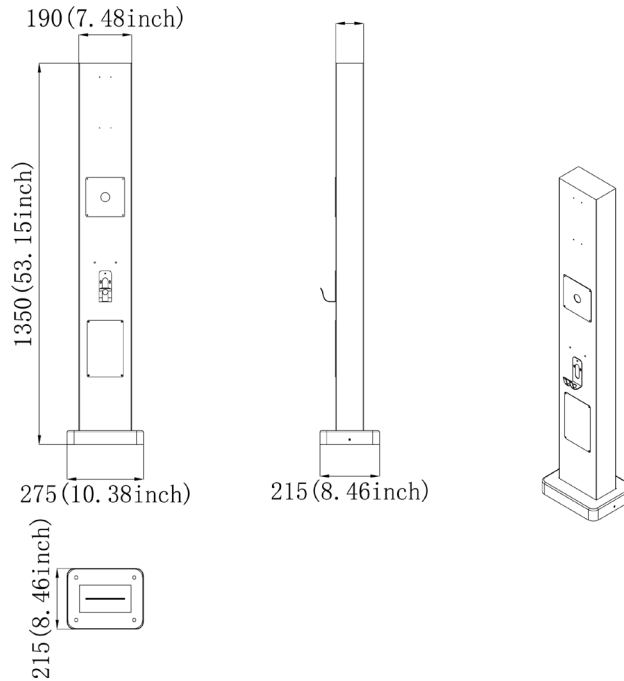
Name: _____ Date: _____

Dimensions

Charger



Pedestal



Common Stock Models

Item #	Model #
35019	SES-EVC-AC48A01HW-U-SHSA4G
35020	SES-EVC-AC48A01HW-U-BHSA4G

Optional Pedestal Mount

Item #	Model #
35011	SES-EVC-PEDESTAL