



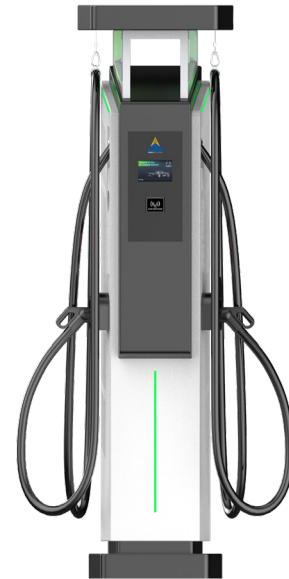
EVC

EV DUAL-PORT LEVEL 2 CHARGER

Project: _____ Type: _____

Name: _____ Date: _____

Power	11.5KW *2
Input Voltage	200-240VAC
Input Frequency	50~60HZ
Output Voltage	200-240VAC
Single Max Output Current	48A
Double Maximum Output Current	48A *2
Charging Method*	Offline card swipe; online card swipe; POS
Communication Method*	Ethernet; WiFi; OCPP; 4G
Display Screen	4.3-inch touch screen
Storage Temperature	-22 to 158F°
Working Temperature	-22 to 122F°
Relative Humidity	≤95%
Altitude	≤6,562ft
Operational Environment	Outdoor, indoor
Usage	Household and commercial charging
Leakage Protection	Yes, CCID20
Low-Voltage & Overcurrent Protection	Yes
Ground Protection & Overvoltage Protection	Yes
Abnormal Protection of Charging Plug Wire Connection	Yes
Installation Method	Floor-standing
Number of Interfaces	2 (line length 16.4')
Size	22.12"x18.1"x68.9"
Housing Material	PC and ABS mixed material
Custom Logo, Appearance & Specification	Yes





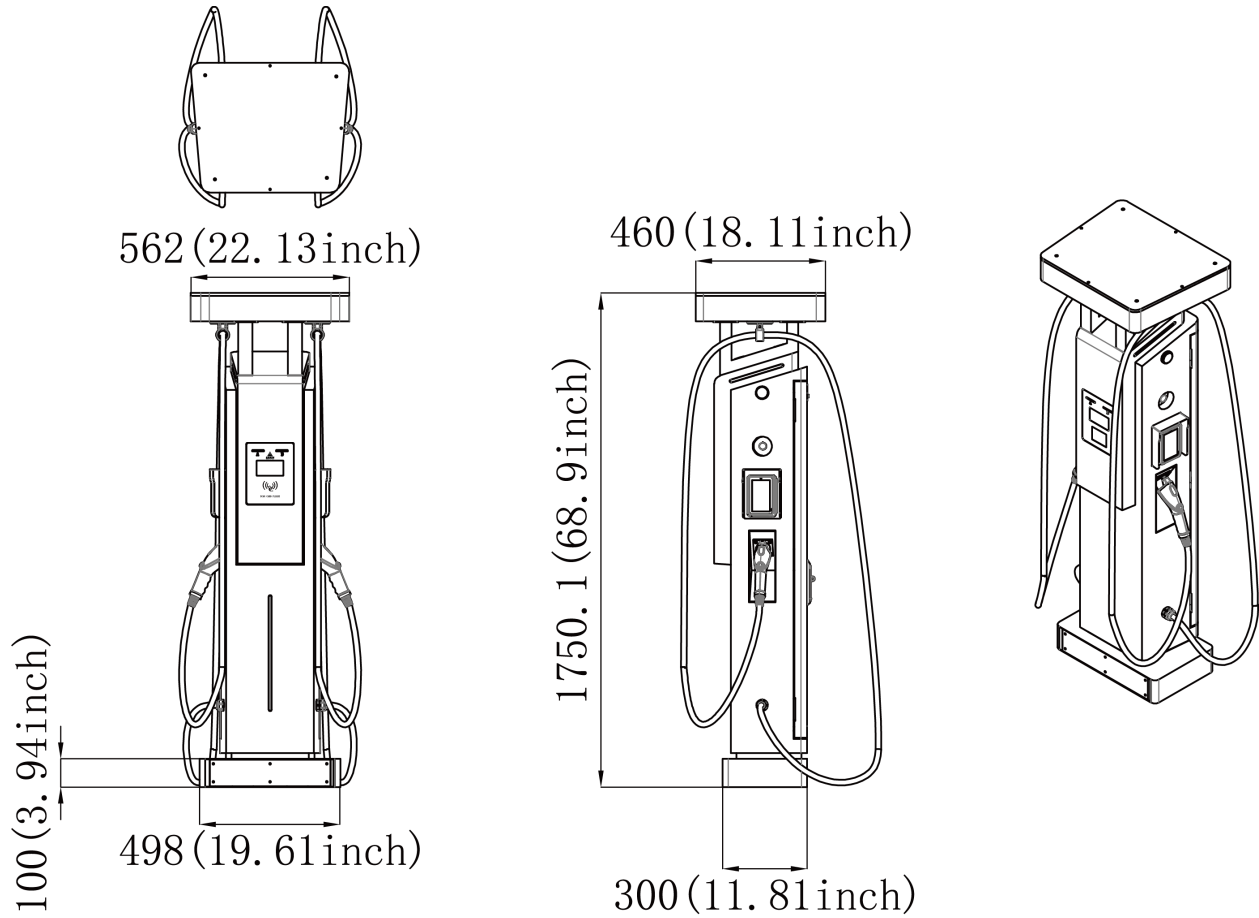
EVC

**EV DUAL-
PORT LEVEL 2
CHARGER**

Project: _____ Type: _____

Name: _____ Date: _____

Dimensions



Common Stock Models

Item #	Model #
35015	SES-EVC-AC48A02ST-U-WHSB4G
35016	SES-EVC-AC48A02ST-U-WHSBE4G*

*With credit card reader