



EVC

EV LEVEL 2 HOME CHARGER

Project: _____ Type: _____

Name: _____ Date: _____

Power	11.5KW
Input Voltage	120-250VAC
Input Frequency	50~60HZ
Output Voltage	120-250VAC
Max Output Current	48A
Input line Number	Three Lines -L1, L2, Ground
Charging Method*	Plug & charge
Indicator Light	Standby: green light always on; Charging: the green light flashes; Fault: the red light always on
Storage Temperature	-22 to 158F°
Working Temperature	-22 to 122F°
Relative Humidity	≤95%
Altitude	≤6,562ft
Operational Environment	Outdoor (with canopy), indoor
Usage Occasion	Household charging
Leakage Protection	Yes, CCID20
Low-Voltage & Overcurrent Protection	Yes
Ground Protection & Overvoltage Protection	Yes
Abnormal Protection of Charging Plug Wire Connection	Yes
Installation Method	Wall-mounted
Number of Interfaces	1 (line length 16.4')
Size	15.93"x10.26"x3.96"
Product Weight	20.9lbs
Housing Material	PC and ABS mixed material





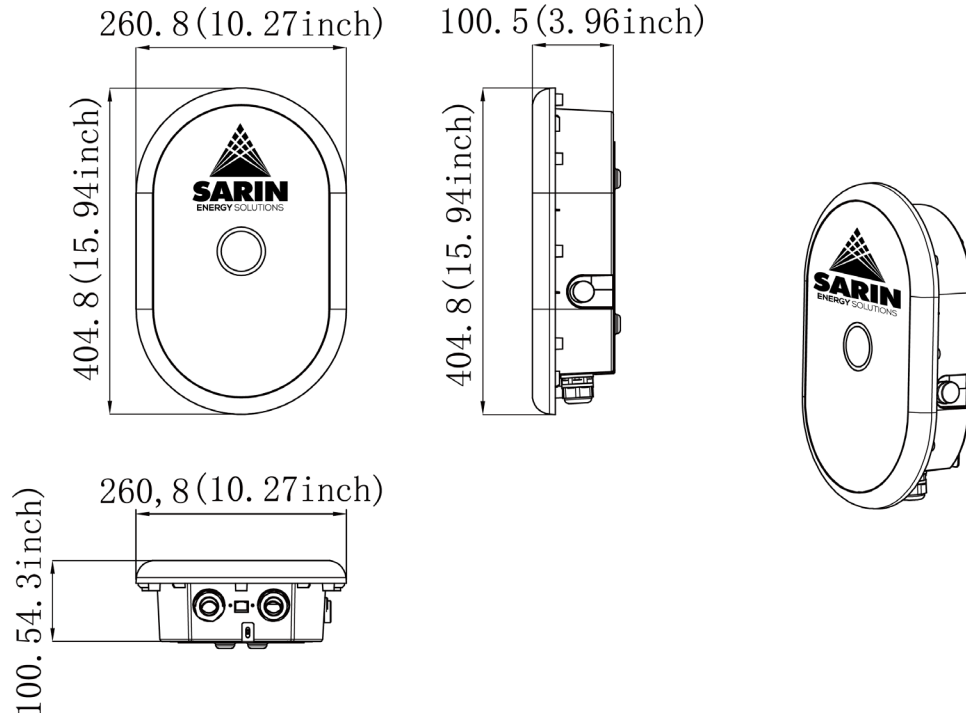
EVC

EV LEVEL 2 HOME CHARGER

Project: _____ Type: _____

Name: _____ Date: _____

Dimensions



Common Stock Models

Item #	Model #
35017	SES-EVC-AC48A01HW-U-BHECN