




TECHNICAL SPECIFICATIONS

| | | |
|-------------------|------------------------------------------------------------------------------------------------|-------------------------------|
| Watts | 54W | 67W |
| Lumens | ± 6,370 | ± 7,900 |
| Size | See Diagrams | |
| Voltage | AC100-240V (50/60Hz) | |
| Dimming | Touch | |
| Beam Angle | 120° | |
| CRI | ≥80 | |
| PF | >0.9 | |
| |  CCT | 3000K + 4000K + 5000K + 6000K |
| | IP Rating | IP42 (Splash Resistant) |
| | Materials | Aluminum, 5mm Mirror |
| | Finish | White |
| | Lens | Frosted, Crystal |
| | Lifespan | 50,000 hours |

A singularly sophisticated and elegant alternative to bathroom sconces, SARIN pairs incredible natural-looking illumination with modern technology, forming a harmonious combination of task and ambiance lighting. SARIN's LED Mirror Lights are widely used as a functional decoration for restrooms in residential and commercial spaces. There is a heater behind the glass to prevent fog and a switch in the corner of the mirror. The mounting plate allows you to install vertically or horizontally. Available in both frosted and crystal, this mirror can switch between four color temperatures.

OVERVIEW

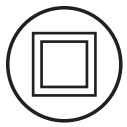
- Tunable:** Adjustable CCT
- Applications:** Damp Areas (IP42)
- Efficacy:** 117 lm/W
- Dimming:** Touch
- LED Type:** SMD 2835
- Driver:** UL Listed
- Switch:** Touch On / Off
- Heater:** Anti-Fog
- Lifespan:** 50,000 hours
- Warranty:** 3 years

FEATURES

Quality Advantages:

- Ultra-Clear Reflection Quality
- Forward Phase Touch Dimmer
- Adjustable Color Temperature
- Defogger Maintains Clarity
- Copper-Free, Anti-Corrosion
- Touch On / Off Button
- Safety-Backed, Anti-Shatter
- Custom Shapes and Sizes
- Crystal or Frosted Lens
- Natural, Soft Light Rendering
- Easy Rotatable Installation
- High Energy Efficiency
- Environmentally Friendly
- Meets Strict ETL Standards





ML01 | CCT Mirror Light

Project _____ Type _____

Notes _____ Date _____

ORDER FORM

Custom housing colors available upon request.

Custom Model Assembly

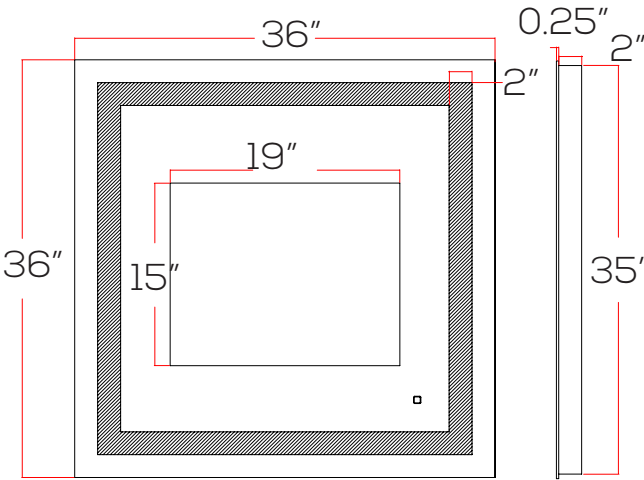
| Fixture | CCT (K) | Lens | Voltage | Size (Length) | Size (Width) | Features |
|-------------------------------|------------------------------------|------------------------------------|-------------------------------------|---------------------------------|---------------------------------|------------------------------------------------|
| <input type="checkbox"/> ML01 | <input type="checkbox"/> 3000-6000 | <input type="checkbox"/> A Frosted | <input type="checkbox"/> C 100-240V | <input type="checkbox"/> E 24" | <input type="checkbox"/> K 24" | <input type="checkbox"/> O Anti-Fog |
| | | <input type="checkbox"/> B Crystal | <input type="checkbox"/> D 200-480V | <input type="checkbox"/> F 26" | <input type="checkbox"/> L 26" | <input type="checkbox"/> P Touch Switch Dimmer |
| | | | | <input type="checkbox"/> G 28" | <input type="checkbox"/> M 28" | <input type="checkbox"/> Q 0-10V Dimming |
| | | | | <input type="checkbox"/> H 30" | <input type="checkbox"/> N 30" | <input type="checkbox"/> R LED Display |
| | | | | <input type="checkbox"/> I 36" | <input type="checkbox"/> M 36" | <input type="checkbox"/> S Infrared Sensor |
| | | | | <input type="checkbox"/> J 40" | <input type="checkbox"/> N 40" | <input type="checkbox"/> T Bluetooth |
| | | | | <input type="checkbox"/> Custom | <input type="checkbox"/> Custom | <input type="checkbox"/> U Socket |

Further Options: button shape • feature placement • lens margins • 1, 2, or 3-sided lens • backlighting • custom mirror shape

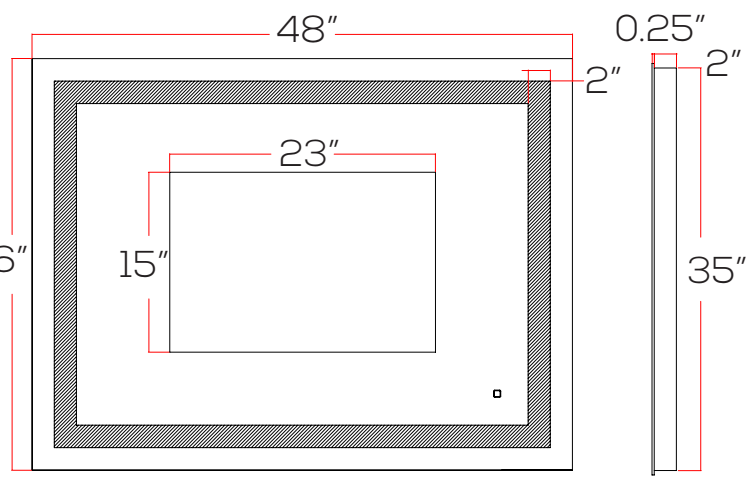
SES-ML01-CCT-A-C-48x60-OP _____
 EXAMPLE MODEL NUMBER SIZE (IN) QUANTITY

SES-ML01-CCT- _____
 MODEL NUMBER QUANTITY

DIMENSIONS



SES-ML01-3636-20-B-T (54W)

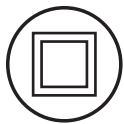


SES-ML01-4836-20-B-T (67W)

COMMON STOCK MODELS

| Item Code | Model Number | Item Code | Model Number |
|-----------|-----------------------|-----------|-------------------------------|
| 10677 | SES-ML01-3636-20-B-T* | 10675 | SES-ML01-3636-20-B-T-CRYSTAL* |
| 10678 | SES-ML01-4836-20-B-T* | 10676 | SES-ML01-4836-20-B-T-CRYSTAL* |

*Touch Dimmer and Anti-Fog



INSTRUCTIONS

BEFORE YOU START, HERE IS SOME IMPORTANT INFORMATION.

- ⚠ DANGER:** Before installation, make sure the main power is cut off.
- ⚠ WARNING:** Installation must be performed by a qualified licensed electrician.

IMPORTANT

- ☒ This product contains glass parts. Take care while fitting or handling to prevent personal injury or damage to the product; If the glass is broken, please stop using it and replace it from agent or manufacturer.
- ☒ Ensure the mounting surface is dry and strong enough to bear four times the weight of the product for the safe fitting.
- ☒ Special care should be taken when drilling walls to avoid hidden pipes or electrical cables.
- ☒ The product covers the outlet box and the wirings after installation.

TOOLS REQUIRED

| Description | Parts Image | Description | Parts Image |
|--------------|-------------|------------------------|-------------|
| Tape Measure | | Drill | |
| Spirit Level | | Cross Head Screwdriver | |
| Pencil | | Hammer | |

MAINTENANCE

- ☒ Wipe clean with a soft, dry cloth. Never use abrasives or chemical cleaners.
- ☒ Please put a soft cushion under the mirror while you take the mirror down from the wall.

STEP 1

CUT OFF THE MAIN POWER SUPPLY.

STEP 2

Place the metal 'Z' bar against the wall and mark the suitable position of the screw holes ensuring it is level.

STEP 3

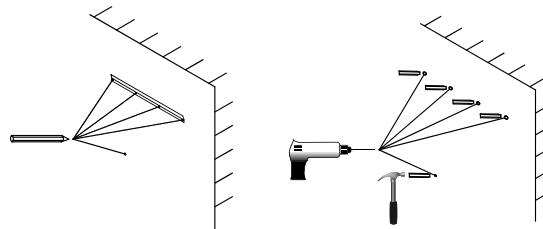
Drill the holes and put in the wall plugs for 'Z' bar.

STEP 4

Screw the metal 'Z' bar onto the wall with the mounting screws supplied.

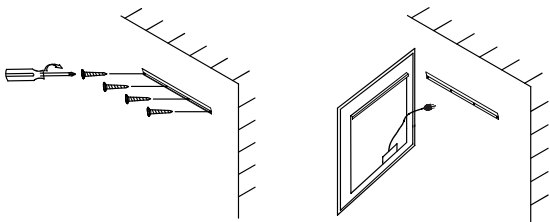
STEP 5

Place the mirror on a proper position so that the wires can access to the main power supply.



STEP 2

STEP 3

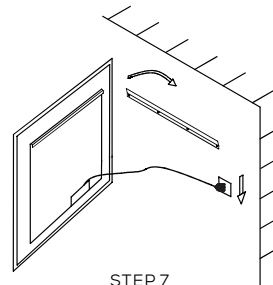


STEP 4

STEP 5

STEP 7

Hang the mirror onto the 'Z' bar until they are completely stuck.



STEP 7

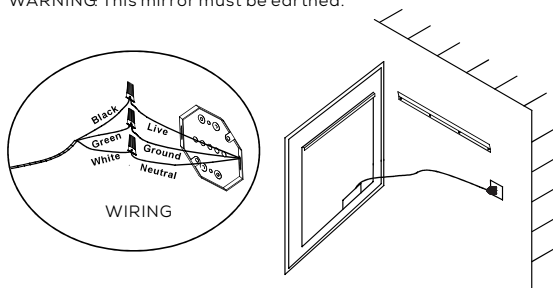
STEP 6

Plug the AC wire into the receptacle on the wall. OR wire as below:

Connect the wires of mirror with the main power by the wire connectors.

- BLACK WIRE --- POWER SUPPLY L (LIVE)
- WHITE WIRE --- POWER SUPPLY N (NEUTRAL)
- GREEN WIRE --- POWER SUPPLY E (EARTH)

WARNING: This mirror must be earthed.



STEP 6

MANUAL TO LED MIRROR WITH TOUCH SENSOR

☒ Mirror with Dimming, CCT Changing and Anti-fog

Please follow the below steps to achieve the functions.

1. Switch on Light and Defogger by short-touching the button.
2. Adjusting color temperatures (CCT) between warm white and cool white by long-touching the button.
3. Adjusting the brightness (Dimming) by long-touching the button.
4. Repeat Point 2 and 3 by long-touching the button again.
5. Switch off Light and Defogger by short-touching the button.