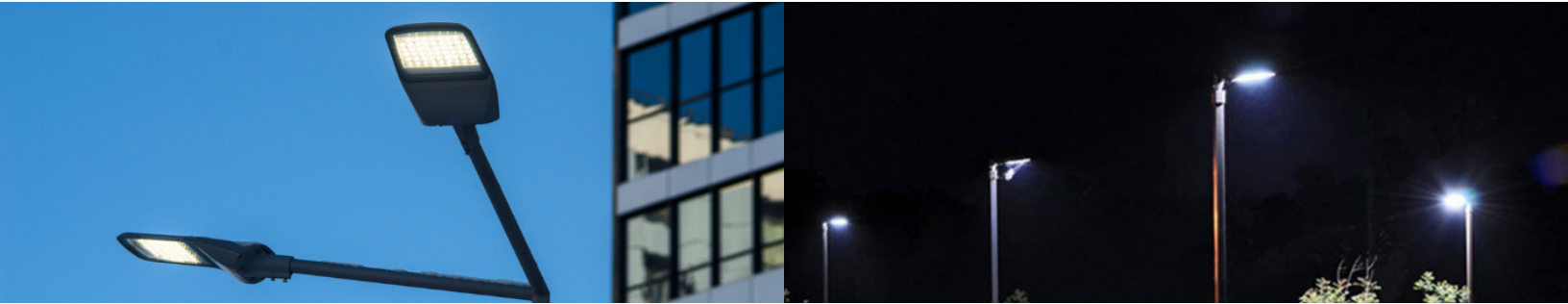




SB14 | SHOEBOX LIGHT

Project: _____ Type: _____

Name: _____ Date: _____



TECHNICAL SPECIFICATIONS:

Size	See Dimensions	Lumens	39808-42318lm
Watts	300W*	CCT	5700K
Voltage	AC120-277V AC277-480V (Option)	IP Rating	IP65 (Water Resistant)
Dimming	1-10V	Materials	Aluminum, PC
Beam Angle	Type 3 (150x85°)	Finish	Bronze
CRI	>80	Lens	Clear
PF	≥0.9	Lifespan	50,000 hours

*custom wattage available

SARIN LED Shoebox Lights are commonly used to replace high-pressure sodium and metal halide lights to provide energy savings of up to 70%. These area lights are safe for outdoor use and are protected from rain, snow, and weak jets of water, such as sprinklers.

Shoebox Lights are perfect for stadiums, parks, billboards, parking lots, and office buildings. An optional photocell sensor allows the light to automatically activate at night. This fixture turns on and off instantly without flickering or humming. The lens has a glare-reduction composition that softens the light and makes it more uniform and safe to the eye.

OVERVIEW

Applications: Outdoor (IP65)

Efficacy: 130-145lm/W

Dimming: 1-10V

LED Type: L128-XX80RC35003P1

Lens Type: T3

Driver: BOE160A-260-PVF-AUX

Operating Temp: -31° to 122° F

Operating Humidity: 5%-95% RH

Lifespan: 50,000 hours

Warranty: 5 years

FEATURES

- 10KV Surge Protector pre-installed
- Protected from the elements with an IP65 rating making it suitable for wet conditions

MOUNT OPTIONS

- Slip Fitter
- Extruded Arm
- Small Yoke
- Large Yoke
- 2 in 1 Slip Fitter

OPTIONAL ACCESSORIES

- Photocell Sensor
- Motion Sensor



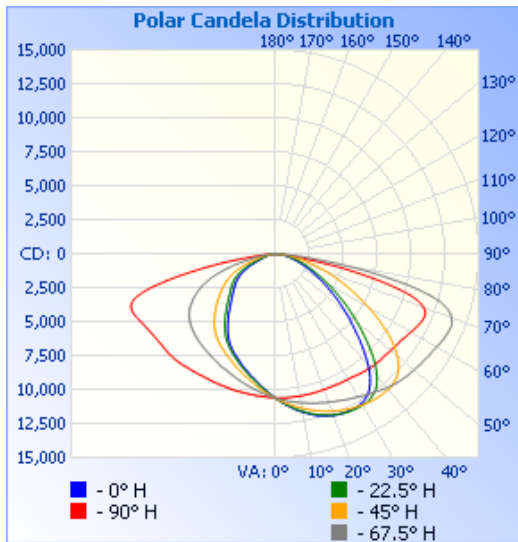


SB14 | SHOEBOX LIGHT

Project: _____ Type: _____

Name: _____ Date: _____

PHOTOMETRICS:

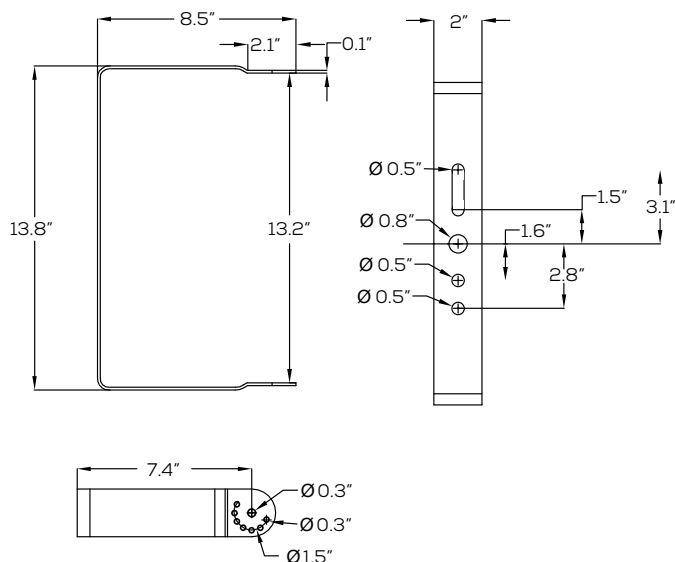


Illuminance at a Distance

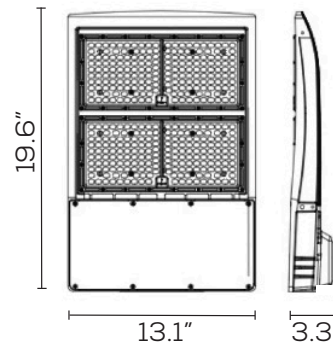
Center Beam fc	Beam Width	
4.3ft	573 fc	10.7 ft 30.6 ft
8.7ft	140 fc	21.7 ft 61.9 ft
13.0ft	62.7 fc	32.4 ft 92.5 ft
17.3ft	35.4 fc	43.1 ft 123.1 ft
21.7ft	22.5 fc	54.0 ft 154.4 ft
26.0ft	15.7 fc	64.7 ft 185.0 ft

■ Vert. Spread: 102.5°
■ Horiz. Spread: 148.6°

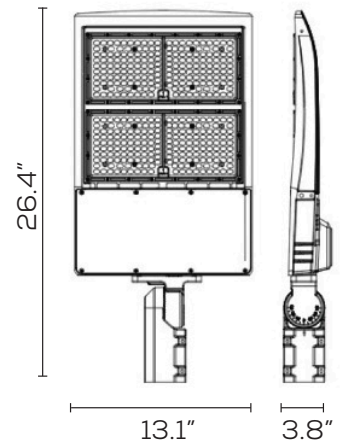
DIMENSIONS:



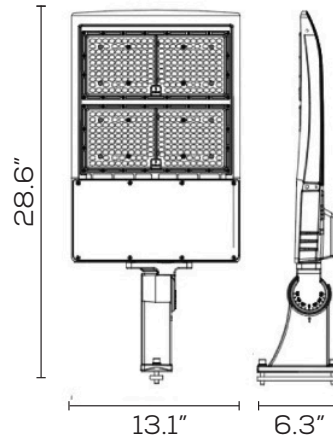
Basic



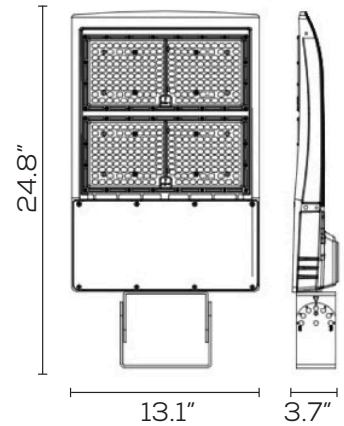
Slip Fitter



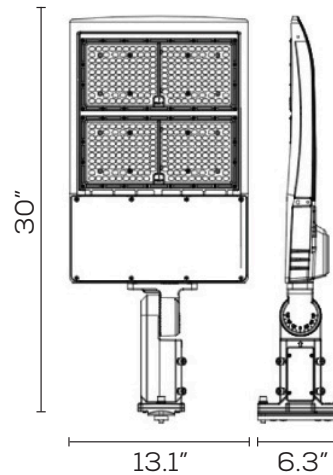
Extruded Arm



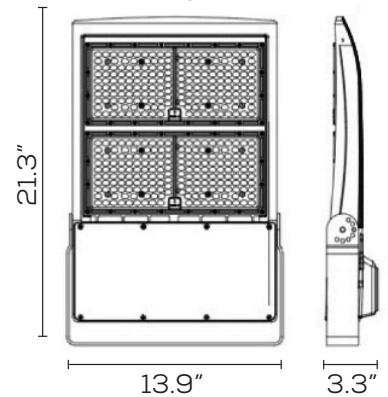
Small Yoke



2-in-1 Slip Fitter



Large Yoke





SB14 | SHOEBOX LIGHT

Project: _____ Type: _____

Name: _____ Date: _____

ORDER FORMS:

(*) Special Order/Not Commonly Stocked

Custom Model Assembly

Fixture	CCT	Watts	Beam Angle	Voltage	Mounting	Optional Accessories
<input checked="" type="checkbox"/> SB14	<input type="checkbox"/> 5700K	<input type="checkbox"/> 150W*	<input checked="" type="checkbox"/> T3	<input type="checkbox"/> AC 120-277V	<input type="checkbox"/> Small Yoke	<input type="checkbox"/> Photocell Sensor
	<input type="checkbox"/> Custom*	<input type="checkbox"/> 300W		<input type="checkbox"/> AC 277-480V*	<input type="checkbox"/> Large Yoke	<input type="checkbox"/> Motion Sensor
		<input type="checkbox"/> 450W*			<input type="checkbox"/> Slip Fitter	
					<input type="checkbox"/> 2 in 1 Slip Fitter	
					<input type="checkbox"/> Extruded Arm	

SES-SB14-5700-300W-Small-Yoke

Example Model Number

Quantity

SES-SB14-

Model Number

Quantity

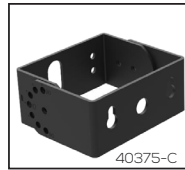
ACCESSORIES:



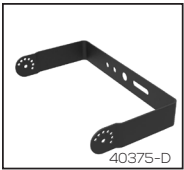
40375-A



40375-B



40375-C



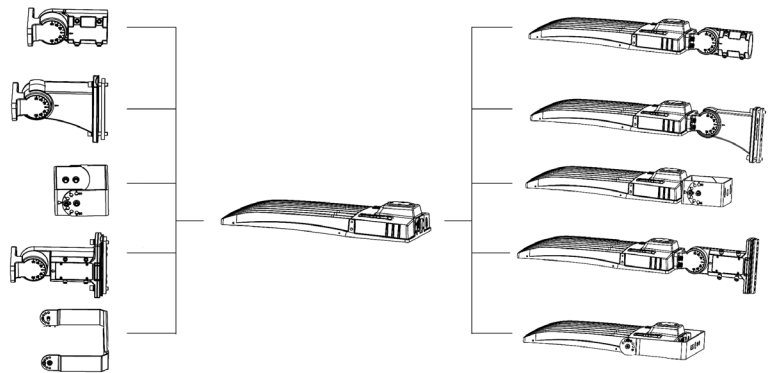
40375-D



40375-E



10898



Common Stock Models:

Item #	Model #
10898	External Photocell
11117	SES-SB14-5700-300
30470	SES-SB14-5700-150

Optional Accessories:

Item #	Model #
30472	SES-SB14-LARGE-YOKE-BRONZE
40375-A	SES-SBGF-SLIP-FITTER-BRONZE
40375-B	SES-SBGF-EXTRUDED-BRONZE
40375-C	SES-SBGF-SMALL-YOKE-BRONZE
40375-D	SES-SBGF-LARGE-YOKE-BRONZE
40375-E	SES-SBGF-2INI-EXTRUDED-SL-BRONZE