



LED ADJUSTABLE CCT GIMBAL LIGHT

Project: _____ Type: _____

Name: _____ Date: _____



OVERVIEW

Tunable: Adj. CCT

Applications: Indoor (IP44)

Efficacy: 100lm/W

Dimming: TRIAC

Operating Temp: -5°F to 105°F

Lifespan: 50,000 hours

Warranty: 5 years

TECHNICAL SPECIFICATIONS

Size	4.7" L x 4.7" W x 1.2" D	Lumens	900lm
Watts	9W	CCT	3000K + 4000K + 5000K
Voltage	AC 100-277V	IP Rating	Damp Location Rated
Dimming	TRIAC	Materials	Aluminum
Beam Angle	38° Beam, 20° Tilt	Finish	White
CRI	>85	Lens	Clear
PF	>0.95	Lifespan	50,000 hours

SARIN's LED Adjustable CCT Gimbal Lights are commonly used in spaces with high ceilings like hotels, shopping centers, and offices. These ceiling lights are safe for indoor use.

Extremely easy to install, this powerful recessed downlight is equipped with a quick-connect case and conduit to integrate with an existing fixture frame junction box. Set your color temperature between warm white, daylight, and cool white.

This light is dimmable to 10% and you can switch between three wattage settings to control your energy consumption. Get comfortable diffused light with no hot spots or dark areas.

FEATURES:

- LED Gimbal Downlights are safe for damp locations such as bathrooms.
- These lights are intended only for indoor use.
- LED Gimbal Downlights are perfect for homes, schools, offices and hotels.
- You can easily adjust the beam angle by tilting the lens. A switch allows you to change between three color temperatures.





LED ADJUSTABLE CCT GIMBAL LIGHT

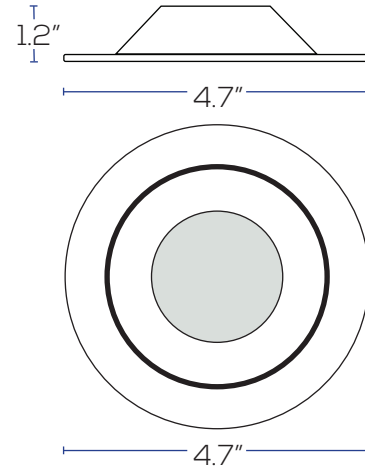
Project: _____ Type: _____

Name: _____ Date: _____

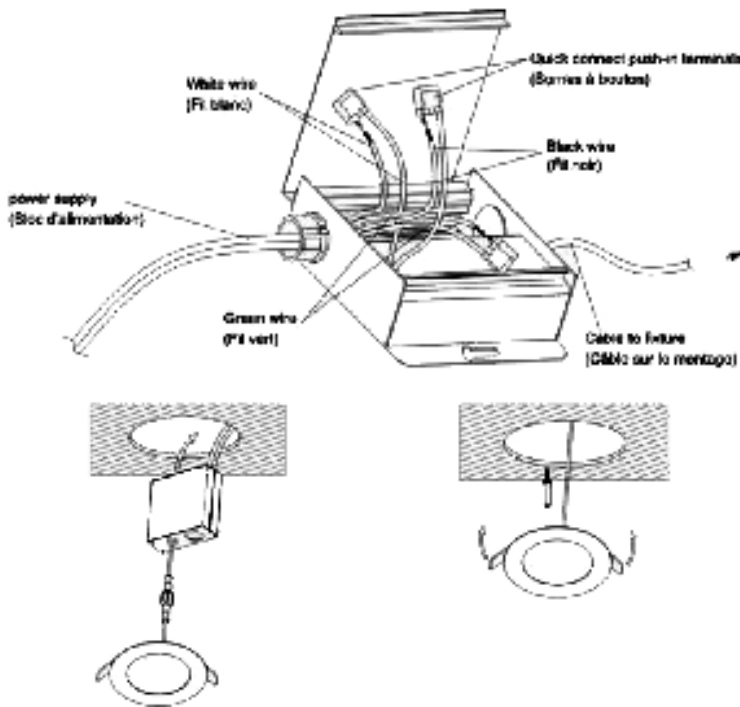
WARNING:

1. Risk of fire or electric shock. LED retrofit kit installation requires knowledge of lighting electrical systems. If not qualified contact a certified electrician for installation.
2. Install this kit only in luminaires that have the construction features and dimensions shown in the drawings and where the input rating of the retrofit kit does not exceed the voltage rating of the luminaire.
3. Do not make or alter any open holes in an enclosure of wiring or electrical components during kit installation.
4. To prevent damage or abrasion to the wires, do not expose wiring to edges of sheet metal or other sharp objects.
5. This luminaire has been modified to operate LED lamps. Do not attempt to install fluorescent lamps in this light.

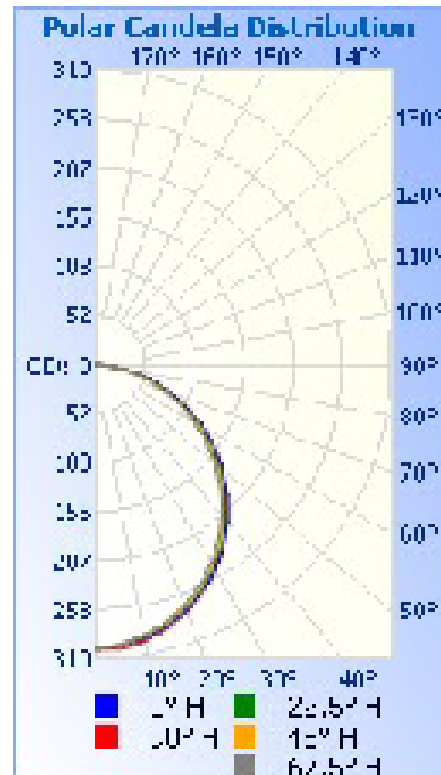
DIMENSIONS:



INSTALLATION:



ISOLUX DIAGRAM:



COMMON STOCK MODELS

Item Code	Model Number
11098	SES-RDL4-CCT-9-W