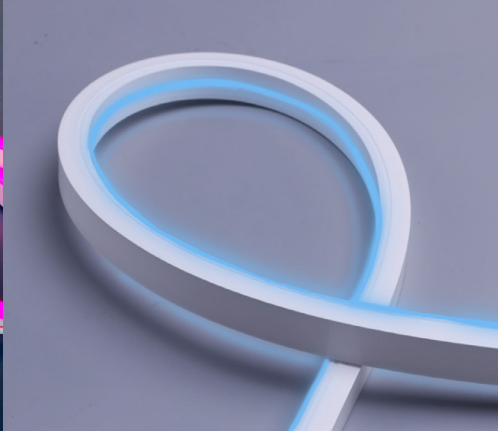
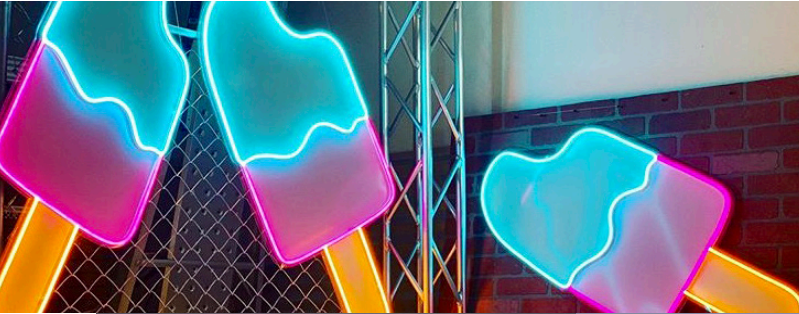




# NF5050 | LED RGB Neon Flex

Project: \_\_\_\_\_ Type: \_\_\_\_\_

Name: \_\_\_\_\_ Date: \_\_\_\_\_



## OVERVIEW

- Tunable:** RGB
- Applications:** IP65
- Efficacy:** 8.6lm/W
- Dimming:** TRIAC
- LED Type:** SMD
- Lens Type:** Frosted
- Lifespan:** 50,000 Hours
- Warranty:** 2 Years

## FEATURES

- Easy Install
- Indoor/Outdoor use
- Driverless
- Can be cut down to length every 19.5"

## ACCESSORIES

- RGB Remote
- Color Plug

## OPTIONAL ACCESSORIES

- Screw-in Sensor in the middle
- Surge Protector
- Wire Guard
- Reflectors (AL/PC)



<b>Size</b>	Big: 164' x 0.6" x 1" Mini: 164' x 0.4" x 0.6"
<b>Watts</b>	10W/M
<b>Voltage</b>	110-130
<b>Dimming</b>	TRIAC
<b>Beam Angle</b>	120°
<b>CRI</b>	N/A
<b>PF</b>	0.95

<b>Lumens</b>	86lm
<b>CCT</b>	RGB
<b>IP Rating</b>	IP65
<b>Materials</b>	PVC, PCB Board
<b>Finish</b>	White
<b>Lens</b>	Frosted
<b>Lifespan</b>	50,000 hrs

SARIN LED Neon Flex Lights are commonly used as decorative lighting to highlight contours and aesthetics of architecture. These lights are safe for outdoor use and protected from rain, snow, and strong jets of water, such as power washers.

LED Neon Flex Lights are a great addition to any indoor or outdoor setting, perfect for a home theater room, gaming, recreational areas, patios, decks, shopping centers, hotels, or any building that needs to stand out. This light comes in two sizes and can be cut down to length every 19.5".

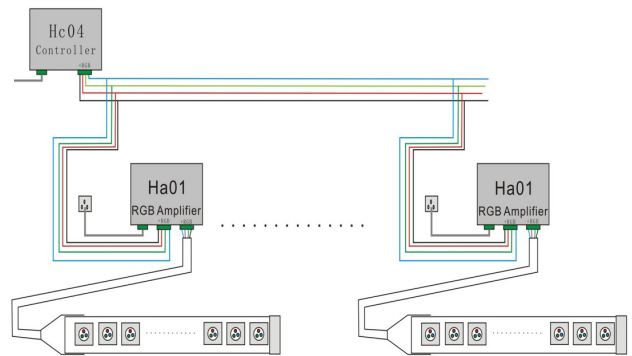
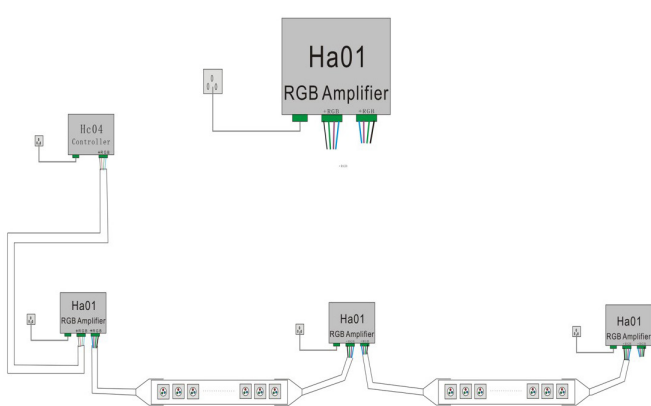
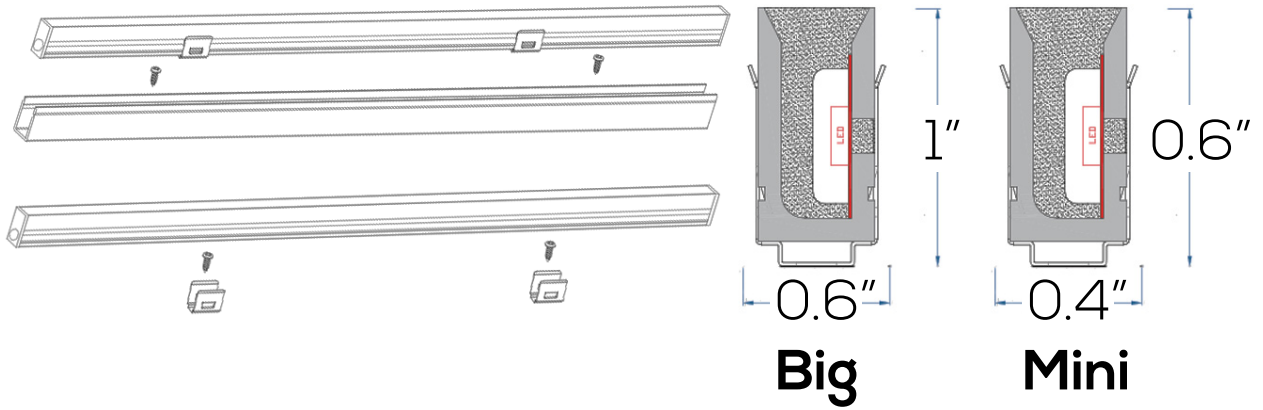


# NF5050 | LED RGB Neon Flex

Project: \_\_\_\_\_ Type: \_\_\_\_\_

Name: \_\_\_\_\_ Date: \_\_\_\_\_

## DIMENSIONS:





# NF5050 LED RGB Neon Flex

Project: \_\_\_\_\_ Type: \_\_\_\_\_

Name: \_\_\_\_\_ Date: \_\_\_\_\_

## ORDER FORM:

(\*) Special Order/Not Commonly Stocked

Custom Model Assembly

Fixture	CCT	Watts	Beam Angle	Voltage
<input checked="" type="checkbox"/> NF5050	<input checked="" type="checkbox"/> RGB	<input checked="" type="checkbox"/> 10W/M	<input checked="" type="checkbox"/> 120°	<input checked="" type="checkbox"/> 110-130

SES-NF5050-RGB  
Example Model Number

**SES – NF5050 – RGB – 10W/M – 120° – 110-130**

Quantity

Fixture

CCT

Watts

Beam Angle

Voltage

## Common Stock Models:

Item #	Model #
10650	SES-NF5050-RGB
10656	SES-NF5050M-RGB

## OPTIONAL ACCESSORIES:



1500W RGB Controller  
**40650-A B 40656-A M**



1500W RGB Controller  
**40650-B B 40656-B M**



24 Key RGB Remote  
**40650-C B**



55" One Color Plug  
**40650-D B 40656-C M**



RGB Amplifier with Plug  
**40650-P B**



4-Pin RGB Connector  
**40650-E B 40656-D M**



2-Pin One Color Connector  
**40650-F B 40656-E M**



One Color Flat L-Connector  
**40650-G B 40656-F M**



RGB Flat L-Connector  
**40650-H B 40656-G M**



One Color L-Connector  
**40650-I B 40656-H M**



RGB L-Connector  
**40650-J B 40656-I M**



One Color T-Connector  
**40650-K B 40656-J M**



RGB T-Connector  
**40650-L B 40656-K M**



End Cap  
**40650-M B 40656-L M**



Mounting Clip  
**40650-N B 40656-M M**



Aluminum Channel  
**40650-O B 40656-N M**