



# UPD- COB25 | LED Up Down Wall Sconce

Project: \_\_\_\_\_ Type: \_\_\_\_\_

Name: \_\_\_\_\_ Date: \_\_\_\_\_



## OVERVIEW

**Tunable:** 3000K, 5000K

**Applications:** Outdoor IP65

**Efficacy:** 100lm/W

**Dimming:** Non-Dimming

**LED Type:** COB

**Lens Type:** Clear

**Lifespan:** 35,000 Hours

**Warranty:** 3 Years

## FEATURES

- Protected from the elements with an IP54 rating making it suitable for rainy environments
- Suitable for residential or commercial applications, highlighting the exterior of any building
- Aluminum body disperses heat better than its counterparts and maximizes LED efficiency
- Available in two finishes: white and bronze
- 3-Year Warranty, rated to last up to 50,000 hours



<b>Size</b>	see dimensions
<b>Watts</b>	25-50W
<b>Voltage</b>	100-277V
<b>Dimming</b>	Non-Dimming
<b>Beam Angle</b>	45°
<b>CRI</b>	80
<b>PF</b>	0.9

<b>Lumens</b>	2,500-5,100lm
<b>CCT</b>	3000K, 5000K
<b>IP Rating</b>	IP65
<b>Materials</b>	Aluminum, Glass
<b>Finish</b>	Bronze, White
<b>Lens</b>	Clear
<b>Lifespan</b>	35,000 Hours

SARIN LED Up-Down Wall Lights are excellent for adding a pop of brightness to any wall. Modernize the exterior lighting of your residential or commercial space with this sleek looking LED wall sconce. Constructed of rugged, aluminum, this outdoor wall wash light is durable and suitable for wet locations to withstand the elements.

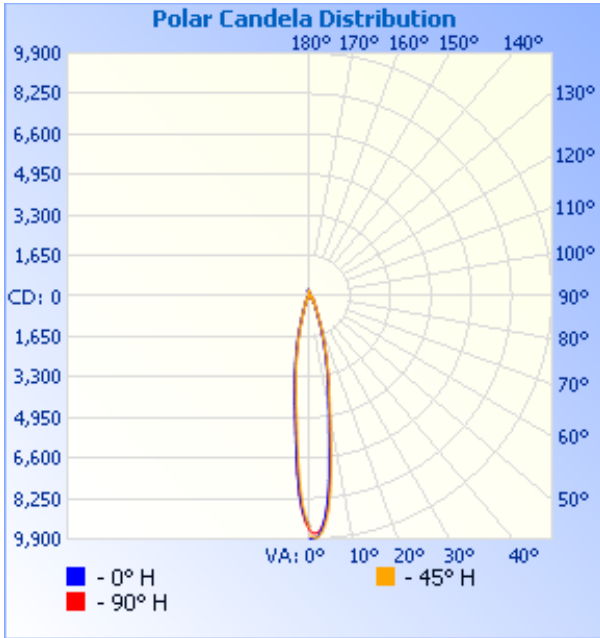
Consuming only 25-50 watts and rated for 50,000 life hours, this LED wall sconce will save you on energy and maintenance cost.

LED Up-Down Wall Lights are perfect for hotels, shopping centers, and hospitals.



## PHOTOMETRICS:

X° Beam Angle: (Polar Candela Dist. )



Light Distance: (Illuminance at a Distance)

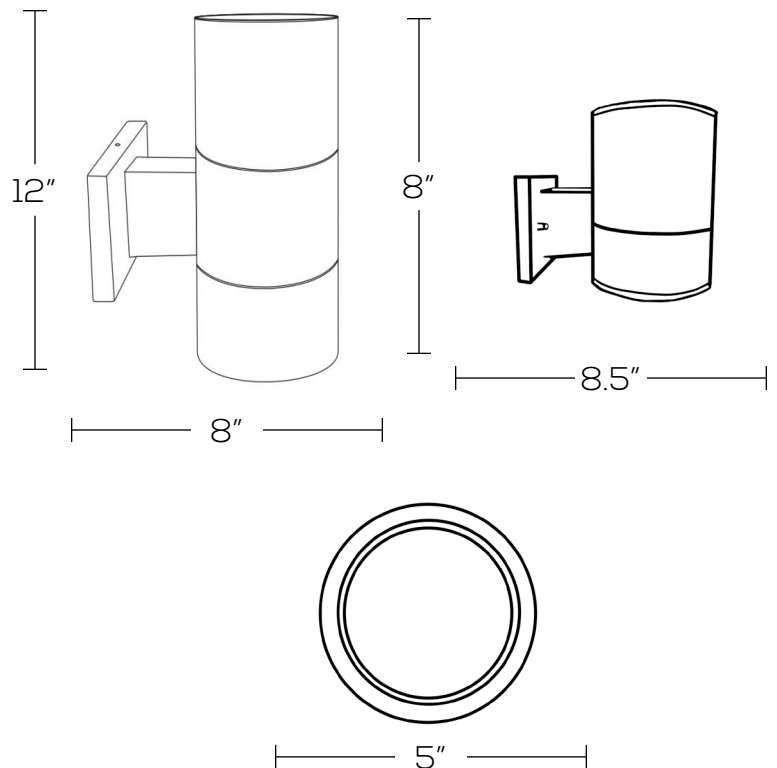
	Illuminance at a Distance	
	Center Beam fc	Beam Width
4.3ft	534 fc	1.2 ft 1.2 ft
8.7ft	130 fc	2.5 ft 2.5 ft
13.0ft	58.4 fc	3.7 ft 3.8 ft
17.3ft	33.0 fc	5.0 ft 5.0 ft
21.7ft	21.0 fc	6.2 ft 6.3 ft
26.0ft	14.6 fc	7.5 ft 7.5 ft

■ Vert. Spread: 16.3°  
■ Horiz. Spread: 16.5°

## IMPORTANT SAFEGUARDS:

1. Installation, service and maintenance should be performed by a qualified licensed electrician.
2. Make all electrical and grounded connections in accordance with national electrical code and any applicable local code requirements.
3. Disconnect power at fuse or circuit breaker before installing or servicing.
4. Review the diagrams thoroughly before beginning.
5. Do not mount in hazardous locations, or near gas or electric heaters.
6. Do not let power cords touch hot surfaces.
7. Equipment should be mounted in locations where it will not be subjected to tampering by unauthorized personnel.
8. Do not use equipment for other than its intended use.

## DIMENSIONS:





# UPD- COB25 | LED Up Down Wall Sconce

Project: \_\_\_\_\_ Type: \_\_\_\_\_

Name: \_\_\_\_\_ Date: \_\_\_\_\_

## ORDER FORM:

(\* Special Order/Not Commonly Stocked)

Custom Model Assembly

	<b>Fixture</b>	<b>CCT</b>	<b>Watts</b>	<b>Beam Angle</b>	<b>Voltage</b>
<input checked="" type="checkbox"/> UPD	<input type="checkbox"/> 3000K	<input type="checkbox"/> 25W	<input checked="" type="checkbox"/> 30°	<input checked="" type="checkbox"/> 100-277	
	<input type="checkbox"/> 5000K	<input type="checkbox"/> 50W			

SES-UPD-COB25WW-2  
Example Model Number

Quantity	SES	-	UPD	-		-	30°	-	100-277
			Fixture				Beam Angle		Voltage

### Common Stock Models:

Item #	Model #
10853	SES-UPD-COB25WW-2
10854	SES-UPD-COB25W-2
10855	SES-UPD-COB25WW
10861	SES-UPD-COB25WW-2 White
10862	SES-UPD-COB25W-2 White
10866	SES-UPD-COB25W