



WL219 | MOONLIGHT SERIES

Project: _____ Type: _____

Name: _____ Date: _____



Size	4.7" W x 18"H x 4.6" D	Lumens	882lm
Watts	14W	CCT Tunable	3000K - 4000K - 5000K
Voltage	120V	IP Rating	IP54
Dimming	TRIAC	Materials	Aluminum, Glass
Beam Angle	N/A	Finish	Black, Bronze
CRI	95	Lens	Clear
PF	0.9	Lifespan	30,000 Hours

OVERVIEW

- Tunable:** 3000K, 4000K, 5000K
- Applications:** IP54
- Efficacy:** 55-65lm/W
- Dimming:** TRIAC
- LED Type:** SMD 2835
- Driver:** BOE15K035040TDS2
- Operating Temp:** -40° to 104° F
- Operating Humidity:** 10%-65% RH
- Lifespan:** 30,000 Hours
- Warranty:** 3 Years

FEATURES

- Includes a CCT Tunable switch; easily select between three color temperatures
- Available in two finishes: black and bronze
- Protected from the elements with an IP54 rating making it suitable for rainy environments



The SARIN Moonlight Series features elegant, outdoor wall sconces that add functional lighting and brilliance to any area. Built on a sturdy metal frame with a black or bronze finish with weather-resistant durability, this fixture features color temperature tuning. This rectangular column-shaped wall light offers a consistent glow with a textured, glass globe that provides a bright and robust lighting environment.

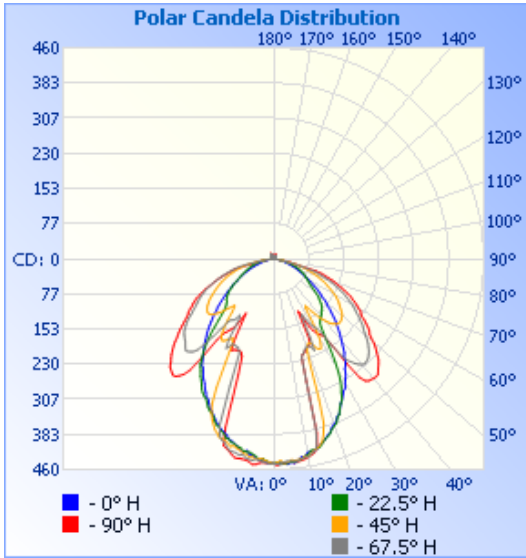
LED Wall Sconces are safe to use in wet locations that come in direct contact with rain and water. The fixtures have a switch to change between three color temperatures. This decorative LED wall sconce is ideal for any exterior wall on hotels, homes, and offices.



PHOTOMETRICS:

X° Beam Angle: (Polar Candela Dist.)

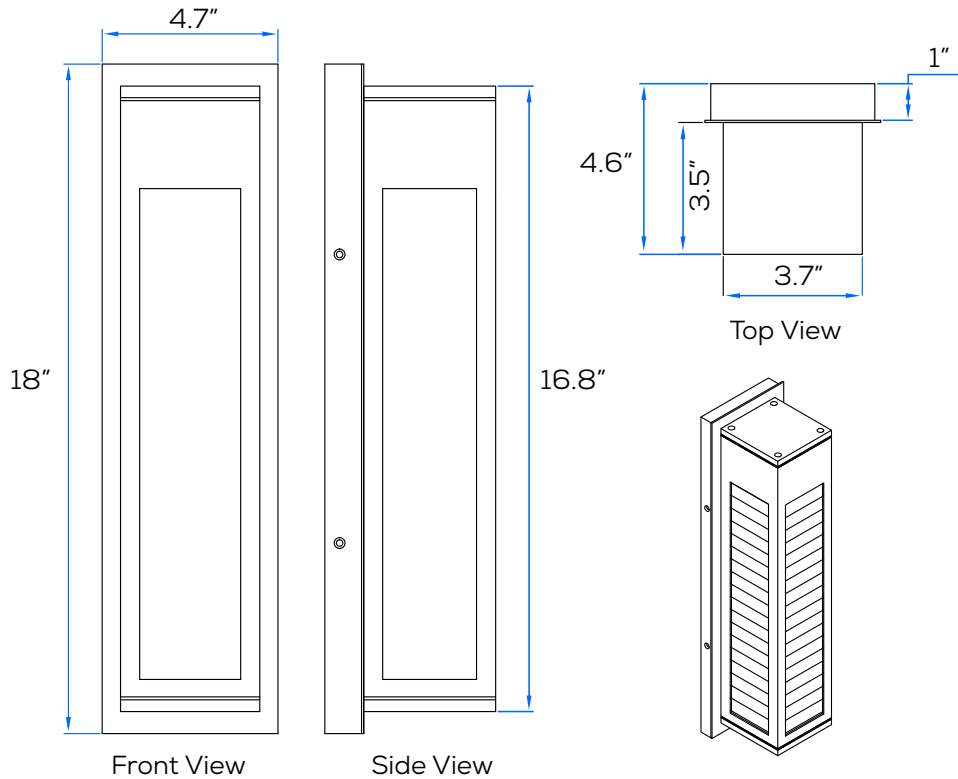
Light Distance: (Illuminance at a Distance)



	Center Beam fc	Beam Width	
1.7ft	155 fc	2.9 ft	1.1 ft
3.3ft	41.0 fc	5.5 ft	2.1 ft
5.0ft	17.9 fc	8.4 ft	3.1 ft
6.7ft	9.95 fc	11.2 ft	4.2 ft
8.3ft	6.49 fc	13.9 ft	5.2 ft
10.0ft	4.47 fc	16.8 ft	6.3 ft

■ Vert. Spread: 80.0°
■ Horiz. Spread: 34.8°

DIMENSIONS:





WL219 | MOONLIGHT SERIES

Project: _____ Type: _____

Name: _____ Date: _____

ORDER FORM:

(*) Special Order/Not Commonly Stocked

Custom Model Assembly

Fixture	CCT	Watts	Finish	Voltage
<input checked="" type="checkbox"/> WL219	<input checked="" type="checkbox"/> Tunable	<input checked="" type="checkbox"/> 14W	<input type="checkbox"/> Black	<input checked="" type="checkbox"/> 120V
			<input type="checkbox"/> Bronze	

SES-WL219-BL
Example Model Number

SES – WL219 – Tunable – 14W – 120V

Quantity

Fixture

CCT

Watts

Finish

Voltage

Common Stock Models:

Item #	Model #
11212	SES-WL219-BL
11220	SES-WL219-BR