



LED ADJUSTABLE CCT GIMBAL LIGHT

Project: _____ Type: _____

Name: _____ Date: _____



OVERVIEW

Tunable: Adjustable CCT

Applications: Indoor IP44

Efficacy: 100lm/W

Dimming: TRIAC

LED Type: SMD

Lens Type: Clear

Operating Temp: -5°F to 105°F

Lifespan: 50,000 Hours

Warranty: 5 Years

| | | | |
|-------------------|--------------------------|------------------|-----------------------|
| Size | 4.7" L x 4.7" W x 1.2" D | Lumens | 900lm |
| Watts | 9W | CCT | 3000K + 4000K + 5000K |
| Voltage | 120V | IP Rating | IP44 |
| Dimming | TRIAC | Materials | Aluminum |
| Beam Angle | 38° Beam, 20° Tilt | Finish | White |
| CRI | >85 | Lens | Clear |
| PF | >0.95 | Lifespan | 50,000 hours |

FEATURES

- LED Gimbal Downlights are safe for damp locations such as bathrooms.
- These lights are intended only for indoor use.
- LED Gimbal Downlights are perfect for homes, schools, offices and hotels.
- You can easily adjust the beam angle by tilting the lens. A switch allows you to change between three color temperatures.

SARIN LED Adjustable CCT Gimbal Lights are commonly used in spaces with high ceilings like hotels, shopping centers, and offices. These ceiling lights are safe for indoor use.

Extremely easy to install, this powerful recessed downlight is equipped with a quick-connect case and conduit to integrate with an existing fixture frame junction box. Set your color temperature between warm white, daylight, and cool white.

This light is dimmable to 10% and you can switch between three wattage settings to control your energy consumption. Get comfortable diffused light with no hot spots or dark areas.





LED ADJUSTABLE CCT GIMBAL LIGHT

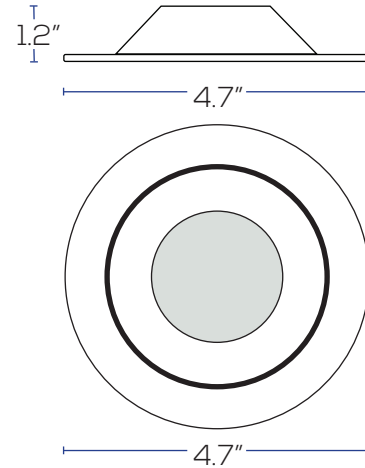
Project: _____ Type: _____

Name: _____ Date: _____

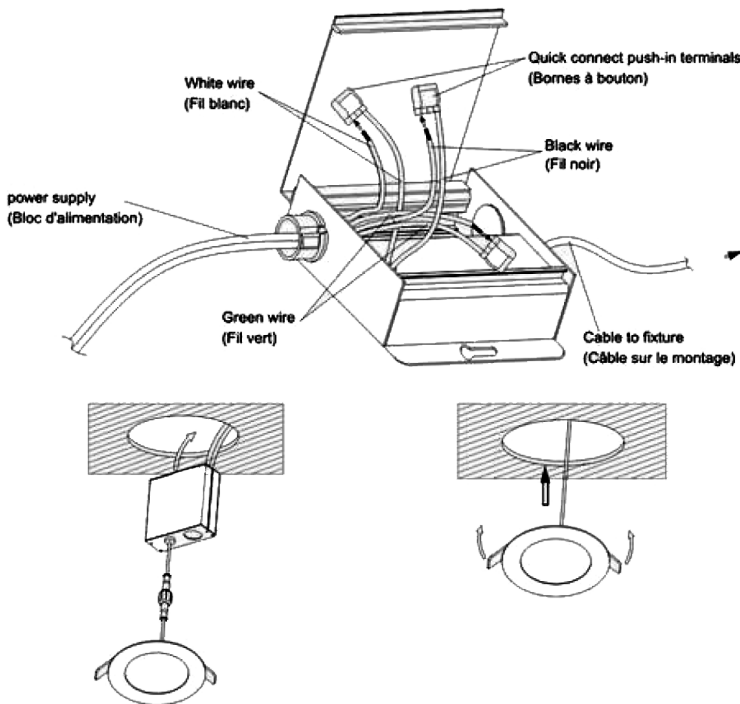
WARNING:

1. Risk of fire or electric shock. LED retrofit kit installation requires knowledge of lighting electrical systems. If not qualified contact a certified electrician for installation.
2. Install this kit only in luminaires that have the construction features and dimensions shown in the drawings and where the input rating of the retrofit kit does not exceed the voltage rating of the luminaire.
3. Do not make or alter any open holes in an enclosure of wiring or electrical components during kit installation.
4. To prevent damage or abrasion to the wires, do not expose wiring to edges of sheet metal or other sharp objects.
5. This luminaire has been modified to operate LED lamps. Do not attempt to install fluorescent lamps in this light.

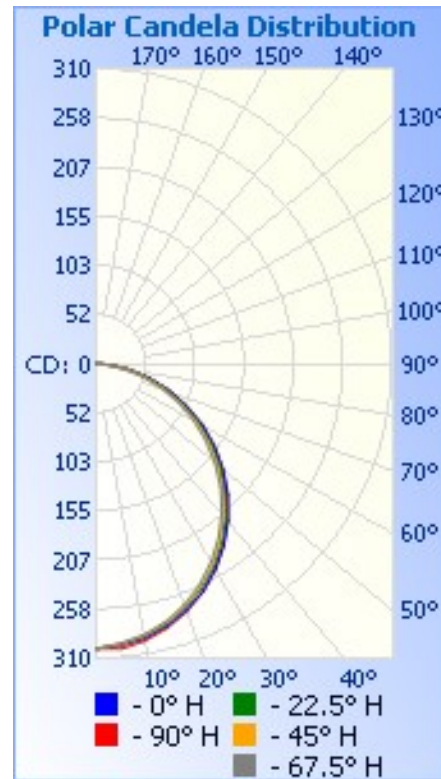
DIMENSIONS:



INSTALLATION:



PHOTOMETRICS:



COMMON STOCK MODELS

| Item Code | Model Number |
|-----------|------------------|
| 11098 | SES-RDL4-CCT-9-W |