



JDL

LED CCT Downlight with Junction Box

Project: _____ Type: _____

Name: _____ Date: _____



5 CCT Switch

OVERVIEW

CCT: Tunable

Applications: Indoor IP43

Efficacy: 80lm/W

Dimming: TRIAC

LED Type: SMD2835

Lens Type: Frosted

Driver: On Board

Operating Temp: -14° to 104°F

Operating Humidity: 10-65%RH

Mounting Type: Recessed

Lifespan: 50,000 Hours

Warranty: 5 Years

Size	7.3" L x 7.3" W x 3.4" H
Watts	15W
Voltage	120V
Dimming	TRIAC, 5%-100%
Beam Angle	100°
CRI	> 90
PF	>0.7

Lumens	1,200lm
CCT Tunable	2700K-3000K- 3500K-4000K-5000K
IP Rating	IP43
Materials	Aluminum, PC
Finish	White
Lens	Frosted
Lifespan	50,000 Hours

FEATURES

- CCT Tunable in 5 Color temperatures: 2700K, 3000K, 3500K, 4000K, and 5000K
- Frosted lens protects the eyes from glare while adding a warm, rich light
- Aluminum body disperses heat better than its counterparts and maximizes LED efficiency
- Electrical Junction Box (J-Box) Base allows for easy and quick mounting

SARIN LED Downlights with Junction Boxes are safe for outdoor use and protected from rain, snow, and weak jets of water, such as sprinklers. Installation requires access above the ceiling to protect the junction box. LED Downlights are perfect for homes, hotels, and offices.

Electrical Junction Box (J-Box) Base allows these downlights to be quickly and easily mounted. Aluminum body disperses heat better than its counterparts and maximizes LED efficiency.

This light is CCT Tunable, adjustable to five different color temperatures. Consuming only 15 watts and rated for 50,000 life hours, this LED downlight will save you on energy and maintenance cost.

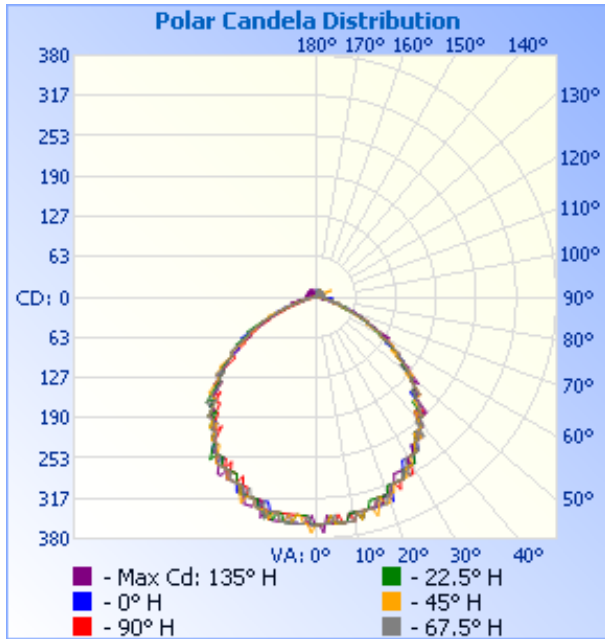




PHOTOMETRICS:

X° Beam Angle: (Polar Candela Dist.)

Light Distance: (Illuminance at a Distance)



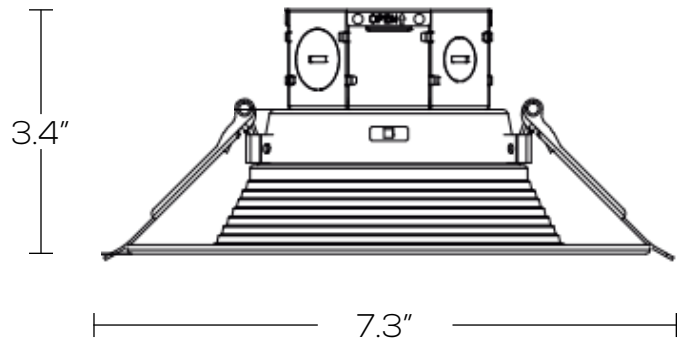
	Center Beam fc	Beam Width	
2.5R	57.4 fc	6.5 ft	6.4 ft
5.0R	14.3 fc	13.0 ft	12.7 ft
7.5R	6.38 fc	19.5 ft	19.1 ft
10.0R	3.59 fc	26.0 ft	25.4 ft
12.5R	2.30 fc	32.5 ft	31.8 ft
15.0R	1.59 fc	39.0 ft	38.1 ft

■ Vert. Spread: 104.8°
■ Horiz. Spread: 103.6°

IMPORTANT SAFEGUARDS:

DIMENSIONS:

1. Installation, service and maintenance should be performed by a qualified licensed electrician.
2. Make all electrical and grounded connections in accordance with national electrical code and any applicable local code requirements.
3. Disconnect power at fuse or circuit breaker before installing or servicing.
4. Review the diagrams thoroughly before beginning.
5. Do not mount in hazardous locations, or near gas or electric heaters.
6. Do not let power cords touch hot surfaces.
7. Equipment should be mounted in locations where it will not be subjected to tampering by unauthorized personnel.
8. Do not use equipment for other than its intended use.





JDL

LED CCT Downlight with Junction Box

Project: _____ Type: _____

Name: _____ Date: _____

ORDER FORM:

(*) Special Order/Not Commonly Stocked

Custom Model Assembly

Fixture	CCT	Watts	Beam Angle	Voltage
<input checked="" type="checkbox"/> JDL	<input checked="" type="checkbox"/> Tunable	<input checked="" type="checkbox"/> 15W	<input checked="" type="checkbox"/> 100°	<input checked="" type="checkbox"/> 120

SES-JDL-CCT-15
Example Model Number

SES - JDL - CCT - 15 - 100 - 120

Quantity

Fixture

CCT

Watts

Beam Angle

Voltage

Common Stock Models:

Item #	Model #
11141	SES-JDL-CCT-15