



SDL

**LED Slim  
Downlight  
With J-Box**

Project: \_\_\_\_\_ Type: \_\_\_\_\_

Name: \_\_\_\_\_ Date: \_\_\_\_\_



Bronze



Black



Brushed Nickel

Control CCT wirelessly

**OVERVIEW**

**Tunable:** 2700K-5000K

**Applications:** Indoor IP44

**Efficiency:** 77-80lm/W

**Dimming:** Triac

**LED Type:** SMD 2835

**Lens Type:** Frosted

**Operating Temp:** -13F° to 122F°

**Operating Humidity:** 10-65%RH

**Lifespan:** 50,000 Hours

**Warranty:** 5 Years

**FEATURES**

- Safe in wet locations where water and humidity may come into contact
- Adjustable Color Temperature from warm (2700K) to bright white (5000K) wirelessly

**ACCESSORIES**

- Junction Box (J-Box) included
- Spring Action Clips fit securely into their corresponding openings

**OPTIONAL ACCESSORIES**

- Bronze Trim, Black Trim or Brushed Nickel Trim



|                   |  |
|-------------------|--|
| <b>Size</b>       | SDL4: 4.9" x 4.9" x 0.8"<br>SDL6: 6.9" x 6.9" x 0.8"<br>SDL8: 8.9" x 8.9" x 0.8" |
| <b>Watts</b>      | SDL4: 9W<br>SDL6: 15W<br>SDL8: 18W   |
| <b>Voltage</b>    | AC120V   |
| <b>Dimming</b>    | Triac  |
| <b>Beam Angle</b> | 120°   |
| <b>CRI</b>        | >90  |
| <b>PF</b>         | >0.9   |

|                  |   |
|------------------|---|
| <b>Lumens</b>    | SDL4: 700lm<br>SDL6: 1200lm<br>SDL8: 1440lm                                     |
| <b>CCT</b>       | 2700K - 3000K - 3500K -<br>4000K - 5000K  |
| <b>IP Rating</b> | IP44  |
| <b>Materials</b> | SDL4: Aluminum, Glass & PS<br>SDL6: Aluminum, Glass & PS<br>SDL8: Aluminum & PS |
| <b>Finish</b>    | White   |
| <b>Lens</b>      | Frosted   |
| <b>Lifespan</b>  | 50,000 Hours  |

SARIN LED SLIM DOWNLIGHTS remove the need for recessed cans, freeing up space for installation and hard-to-reach locations with a sleek and elegant look. This downlight is designed to reduce energy costs and maintenance intervals. The spring action clips and junction box eliminate the need for housing, making for easier installations.

These downlights are safe for indoor use and outdoor use in wet locations such as kitchens and bathrooms, where humidity and splashes of water are common. Access to space above the ceiling is required for installation.



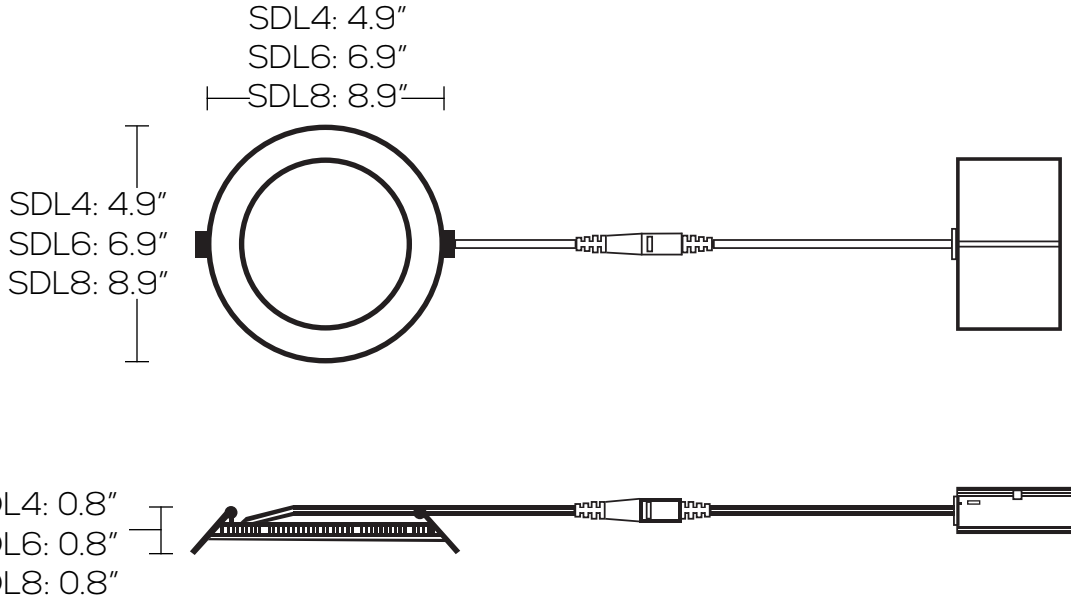
**SDL**

**LED Slim  
Downlight  
With J-Box**

Project: \_\_\_\_\_ Type: \_\_\_\_\_

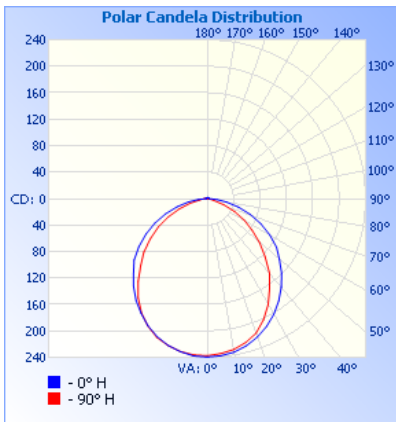
Name: \_\_\_\_\_ Date: \_\_\_\_\_

**DIMENSIONS:**



**PHOTOMETRICS:**

**9W**

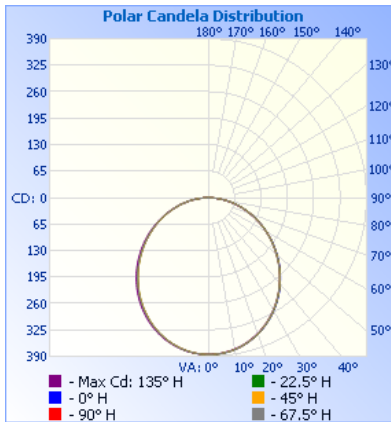


**Illuminance at a Distance**

| Center Beam fc  | Beam Width      |
|-----------------|-----------------|
| 1.7ft: 82.8 fc  | 5.2 ft 3.9 ft   |
| 3.3ft: 22.0 fc  | 10.2 ft 7.5 ft  |
| 5.0ft: 9.57 fc  | 15.4 ft 11.4 ft |
| 6.7ft: 5.33 fc  | 20.6 ft 15.3 ft |
| 8.3ft: 3.47 fc  | 25.5 ft 18.9 ft |
| 10.0ft: 2.39 fc | 30.8 ft 22.8 ft |

■ Vert. Spread: 114.0°  
■ Horiz. Spread: 97.4°

**15W**

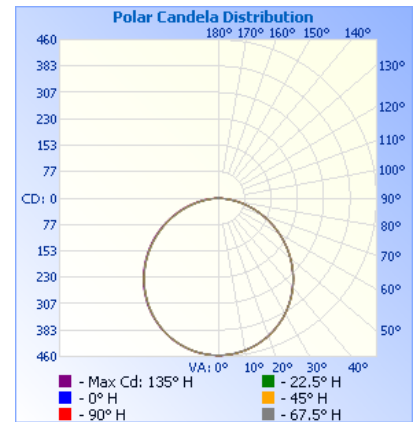


**Illuminance at a Distance**

| Center Beam fc  | Beam Width      |
|-----------------|-----------------|
| 1.7ft: 133 fc   | 4.8 ft 4.8 ft   |
| 3.3ft: 35.4 fc  | 9.3 ft 9.3 ft   |
| 5.0ft: 15.4 fc  | 14.2 ft 14.1 ft |
| 6.7ft: 8.58 fc  | 19.0 ft 18.9 ft |
| 8.3ft: 5.59 fc  | 23.5 ft 23.4 ft |
| 10.0ft: 3.85 fc | 28.3 ft 28.2 ft |

■ Vert. Spread: 109.5°  
■ Horiz. Spread: 109.3°

**18W**



**Illuminance at a Distance**

| Center Beam fc  | Beam Width      |
|-----------------|-----------------|
| 1.7ft: 158 fc   | 5.1 ft 5.1 ft   |
| 3.3ft: 41.9 fc  | 9.9 ft 10.0 ft  |
| 5.0ft: 18.2 fc  | 15.0 ft 15.1 ft |
| 6.7ft: 10.2 fc  | 20.2 ft 20.2 ft |
| 8.3ft: 6.62 fc  | 25.0 ft 25.1 ft |
| 10.0ft: 4.56 fc | 30.1 ft 30.2 ft |

■ Vert. Spread: 112.8°  
■ Horiz. Spread: 113.0°



SDL

LED Slim Downlight With J-Box

Project: \_\_\_\_\_ Type: \_\_\_\_\_

Name: \_\_\_\_\_ Date: \_\_\_\_\_

ORDER FORM:

(\* Special Order/Not Commonly Stocked)

Custom Model Assembly

|   |                               |   |                              |   |
|---|-------------------------------|---|------------------------------|---|
|   | <b>Fixture</b>                | <b>CCT</b>                                  | <b>Watts</b>                 | <b>Trim</b>                               |
| <u>SES-SDL4-CCT-9</u><br>Example Model Number | <input type="checkbox"/> SDL4 | <input checked="" type="checkbox"/> Tunable | <input type="checkbox"/> 9W  | <input checked="" type="checkbox"/> White |
|   | <input type="checkbox"/> SDL6 |   | <input type="checkbox"/> 15W | <input type="checkbox"/> Bronze           |
|   | <input type="checkbox"/> SDL8 |   | <input type="checkbox"/> 18W | <input type="checkbox"/> Black            |
|   |                               |   |                              | <input type="checkbox"/> Nickel           |

|                             |            |   |     |   |            |   |      |
|-----------------------------|------------|---|-----|---|------------|---|------|
| <u>                    </u> | <b>SES</b> | - |     | - | <b>CCT</b> | - |      |
| <b>Quantity</b>             | Fixture    |   | CCT |   | Watts      |   | Trim |

Common Stock Models:

Optional Accessories:

| Item # | Model #            |
|--------|--------------------|
| 10192  | SES-SDL4-CCT-9     |
| 10893  | SES-SDL6-02-CCT-15 |
| 10892  | SES-SDL8-CCT-18    |

| 4" Item # | 6" Item # |
|-----------|-----------|
|-----------|-----------|



Bronze

40192-A

40193-A



Black

40192-B

40193-B



Brushed Nickel

40192-C

40193-C