

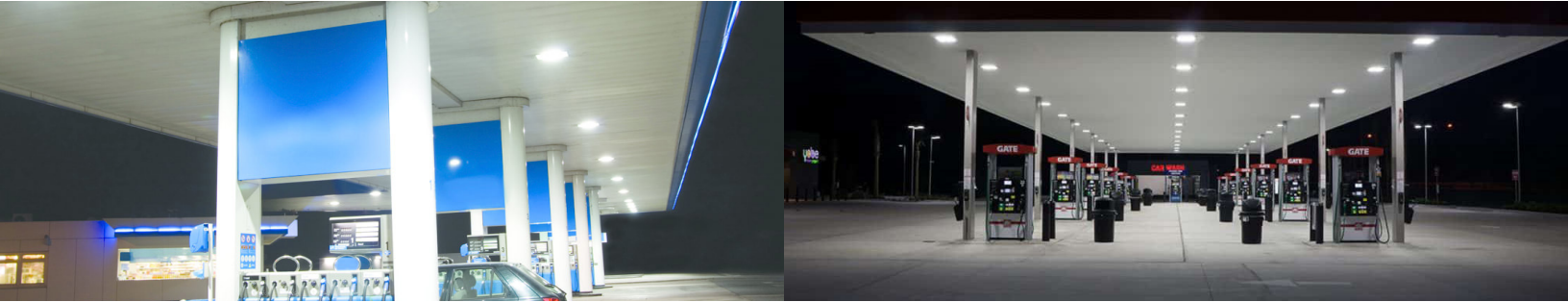


CP5

LED Canopy Light

Project: _____ Type: _____

Name: _____ Date: _____



OVERVIEW

Applications: IP65

Efficacy: 145lm/W

Dimming: 1-10V

LED Type: HL-AS-PU2835DW-S1-08-PCT-HR3

Driver Model: SS-240VA-56B

Operating Temp: -40° to 104°F

Operating Humidity: 20-90% RH

Lifespan: 50,000 Hours

Warranty: 5 Years

Size	20.5" L x 20.5" W x 5" H	Lumens	35,103lm
Watts	240W	CCT	5700K
Voltage	AC120-277V	IP Rating	IP65
Dimming	1-10V	Materials	Aluminum, PC
Beam Angle	110°	Finish	White
CRI	>80	Lens	Frosted
PF	≥0.9	Lifespan	50,000 hrs

FEATURES

- IP65 Outdoor Rated with a beautiful white powder-coat finish, built for longevity and to withstand the elements
- Larger than average wattage, high lumen efficacy
- Instant starting lights provide a soft and uniform light
- LEDs last for 50,000 hours, which is a lifespan of 5 years!
- UL Listed Certification ensures that the product has met stringent
- Design Lights Consortium certification indicates product has a high level of energy efficiency

SARINS LED Canopy Lights are designed to easily retrofit old canopy light fixtures, needing only a four-inch hole and four screws. With an IP65 rating, these lights are safe for outdoor use and protected from rain, snow, and weak jets of water, such as sprinklers. They last up to 50,000 hours, which translates to almost 6 years of continuous runtime!

LED Canopy Lights are perfect for gas stations, awnings, entryways, and car ports. Make your visitors feel safer with bright and high quality light that is safe for the eyes.





CP5

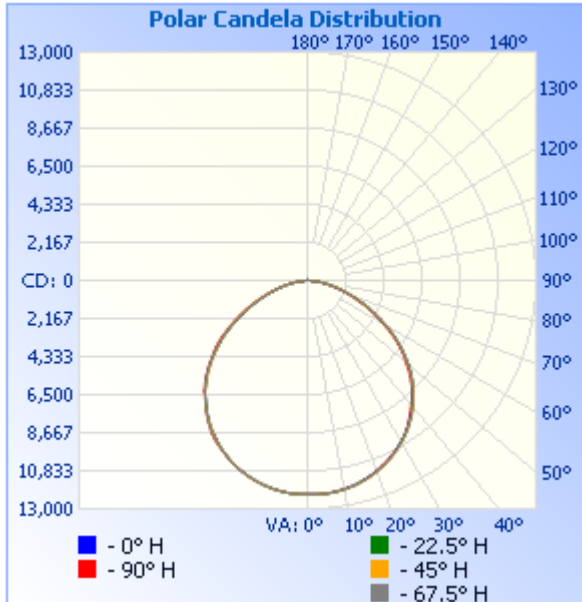
LED Canopy Light

Project: _____ Type: _____

Name: _____ Date: _____

PHOTOMETRICS:

240W



Illuminance at a Distance

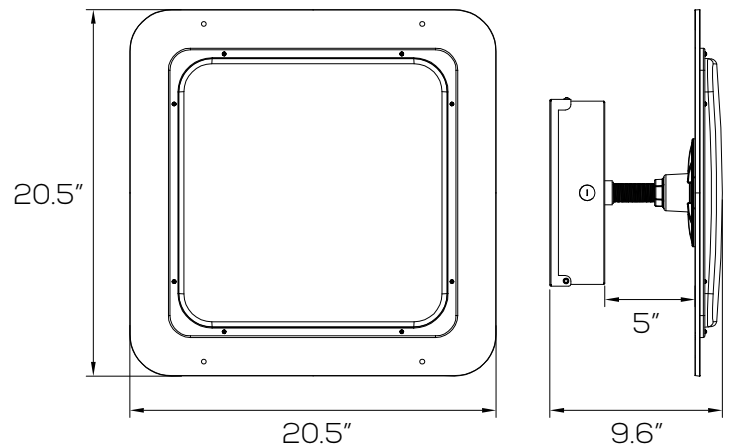
	Center Beam fc	Beam Width	
2.5ft	1,947 fc	7.3 ft	7.3 ft
5.0ft	487 fc	14.6 ft	14.7 ft
7.5ft	216 fc	21.9 ft	22.0 ft
10.0ft	122 fc	29.1 ft	29.4 ft
12.5ft	77.9 fc	36.4 ft	36.7 ft
15.0ft	54.1 fc	43.7 ft	44.1 ft

■ Vert. Spread: 111.1°
■ Horiz. Spread: 111.5°

IMPORTANT SAFEGUARDS:

DIMENSIONS:

1. Installation, service and maintenance should be performed by a qualified licensed electrician.
2. Make all electrical and grounded connections in accordance with national electrical code and any applicable local code requirements.
3. Disconnect power at fuse or circuit breaker before installing or servicing.
4. Review the diagrams thoroughly before beginning.
5. Do not mount in hazardous locations, or near gas or electric heaters.
6. Do not let power cords touch hot surfaces.
7. Equipment should be mounted in locations where it will not be subjected to tampering by unauthorized personnel.
8. Do not use equipment for other than its intended use.





CP5

LED Canopy Light

Project: _____ Type: _____

Name: _____ Date: _____

ORDER FORM:

(*) Special Order/Not Commonly Stocked

Custom Model Assembly

Fixture	CCT	Watts	Beam Angle	Voltage
<input checked="" type="checkbox"/> CP5	<input checked="" type="checkbox"/> 5700K	<input type="checkbox"/> 240W	<input checked="" type="checkbox"/> 110°	<input checked="" type="checkbox"/> 120-277V

AST-CP02B-240WSAA-WH57
Example Model Number

	SES	-	CP5	-	5700	-	240	-	110	-	120-277
Quantity	Fixture		CCT		Watts		Beam Angle		Voltage		

Common Stock Models:

Item #	Model #
10769	AST-CP02B-240WSAA-WH57