



CHB04 | PORTABLE LIGHT

Project: _____ Type: _____

Name: _____ Date: _____



Size	Closed: 5.5" x 5.9" x 10.4" Open: 12.7" x 5.9" x 10.4"
Watts	100W
Voltage	AC120V
Dimming	0-10V
Beam Angle	Wings closed: 355° Wings open: 106°
CRI	>80
PF	≥ 0.9

Lumens	14,000lm-14,500lm
CCT	5700K
IP Rating	IP65
Materials	PC + Aluminum
Finish	Yellow, Silver
Lens	Clear
Lifespan	50,000 Hours

OVERVIEW

- CCT:** 5700K
- Applications:** IP65
- Efficacy:** 140-145lm/W
- Dimming:** 0-10V
- LED Type:** Lumileds 2835
- Lens Type:** Clear
- Operating Temp:** -40°F TO 113°F
- Operating Humidity:** 20% - 90% RH
- Lifespan:** 50,000 Hours
- Warranty:** 5 Years

FEATURES

- 4 AAA lithium rechargeable batteries for emergency lighting
- With AC inlet plug and AC outlet socket, up to 15 lamps can be connected
- 0-120° rotation in 5 segments



SARIN Portable Work Lights are the perfect solution for your commercial, industrial, job-site, and home project lighting needs. Whether you're working in a dimly lit basement, repairing a car in the garage, or setting up a campsite after dark, this portable work light can provide the illumination you need to see what you're doing.

This work light can be adapted to many different situations. With an AC inlet plug and AC outlet socket, up to 15 lamps can be connected together to create a chain of lights. In an emergency situation, the lights can be powered with 4 AAA lithium batteries. There are many different types of mounting options, including a hook mount, a magnet mount and the ability to be mounted on a tripod.



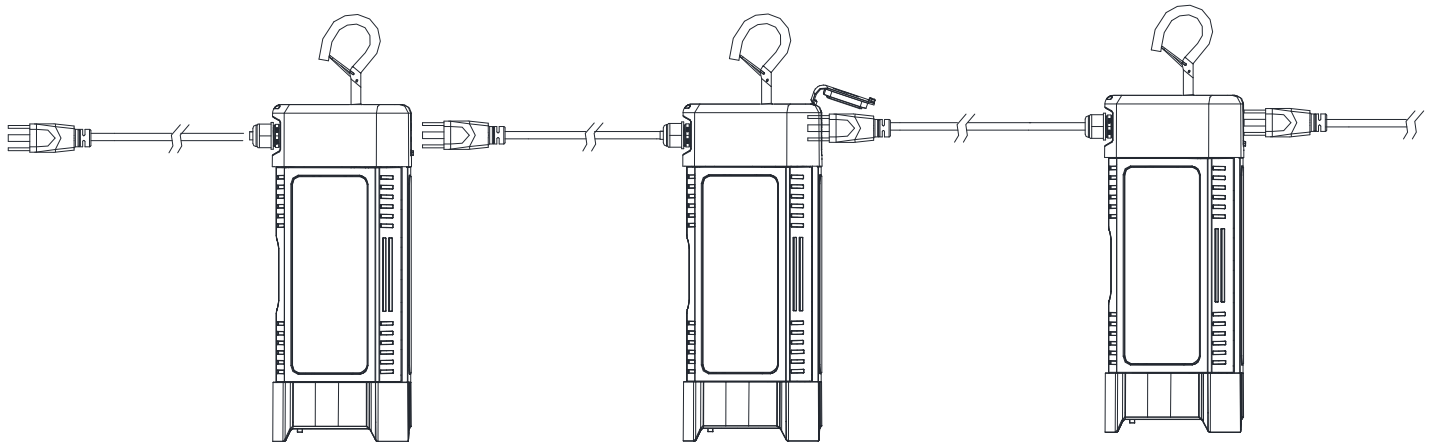
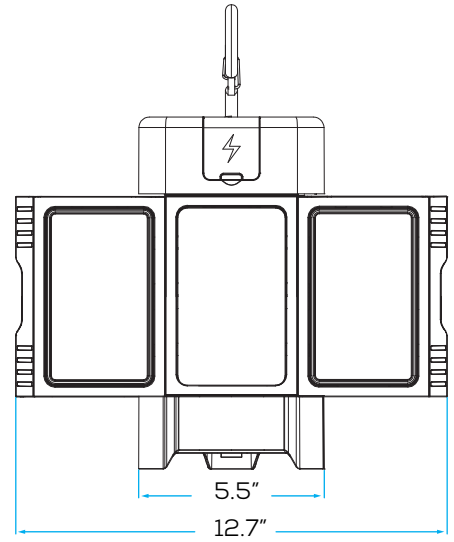
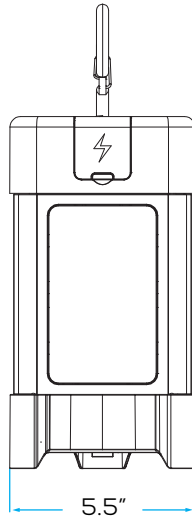
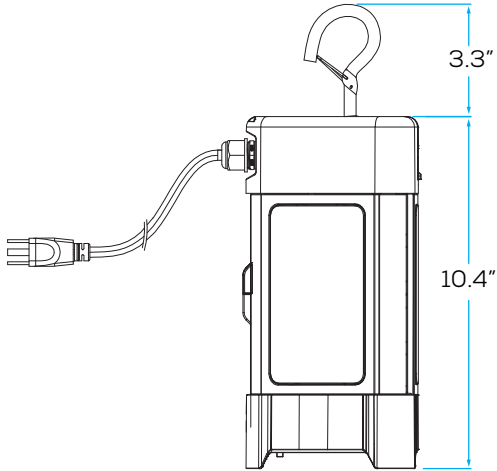
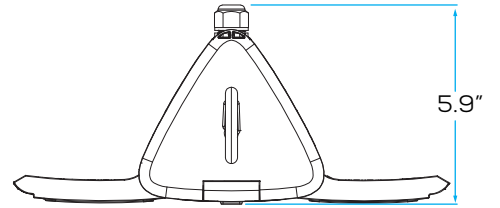
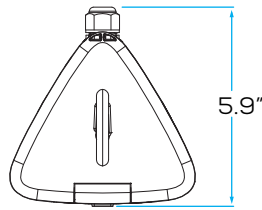


CHB04 | PORTABLE LIGHT

Project: _____ Type: _____

Name: _____ Date: _____

DIMENSIONS:





CHB04 | PORTABLE LIGHT

Project: _____ Type: _____

Name: _____ Date: _____

ORDER FORM:

(*) Special Order/Not Commonly Stocked

Custom Model Assembly

Fixture	CCT	Watts	Beam Angle	Voltage
<input checked="" type="checkbox"/> CHB04	<input checked="" type="checkbox"/> 5700K	<input checked="" type="checkbox"/> 100W	<input checked="" type="checkbox"/> 106° Open	<input checked="" type="checkbox"/> AC 120V

SES-CHB04B-5700-100W
Example Model Number

SES – CHB04 – 5700K – 100W – 106° – AC 120V

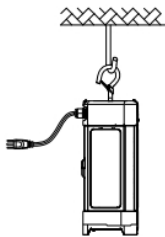
Quantity	Fixture	CCT	Watts	Beam Angle	Voltage
-----------------	----------------	------------	--------------	-------------------	----------------

Common Stock Models:

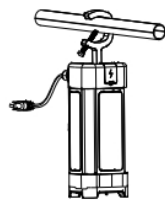
Item #	Model #
11335	AST-CHB04B-100WBCA1-W57K

Optional Accessories:

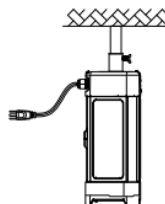
Item #	Model #	QTY
11335-A	SES-CHB04-HOOK	
11335-B	SES-CHB04-INDUSTRYHOOK	
11335-C	SES-CHB04-ROUNDPIPE	
11335-D	SES-CHB04-MAGNET	
11335-E	SES-CHB04-1/4STEM	
11335-F	SES-CHB04-5/8STEM	



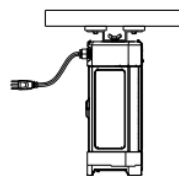
Hook Mount



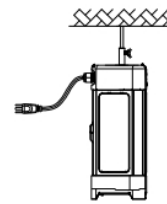
Industry Hook Mount



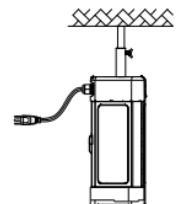
Round Pipe Mount



Magnet Mount



1/4 NPT Stem Mount



5/8 NPT Stem Mount