

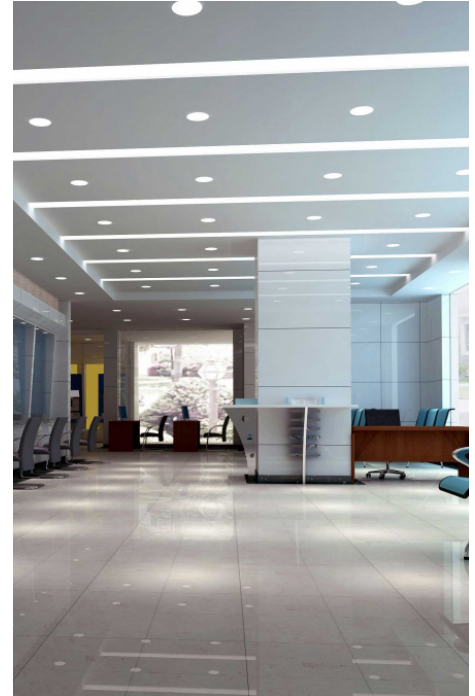


DL254

CCT & WATTAGE TUNABLE DOWNLIGHT

Project: _____ Type: _____

Name: _____ Date: _____



Size	Ø8.35" x 4.4"	Lumens	20W: 2,250-2,450lm 26W: 2,800-3,150lm 33W: 3,550-3,900lm
Wattage Adjustable	20W/26W/33W	CCT Tunable	3000K-4000K-5000K
Voltage	120-277V	IP Rating	IP54
Dimming	0-10V	Materials	Aluminum, PC
Beam Angle	80°	Finish	White
CRI	80	Lens	Frosted
PF	0.9	Lifespan	50,000 Hours

OVERVIEW

- CCT:** Tunable
- Applications:** IP54
- Efficacy:** 120lm/W
- Dimming:** 0-10V
- LED Type:** Bridgelux SMD2835
- Lens Type:** Frosted
- Driver:** Internal driver
- Operating Temp:** -4° to 104° F
- Operating Humidity:** 5%-85% RH
- Lifespan:** 50,000 Hours
- Warranty:** 5 Years

FEATURES

- CCT Tunable & Wattage Adjustable
- CRI of 90 renders light temperature consistently in various environments, giving colors true clarity



SARIN LED CCT & Wattage Tunable Downlights are commonly used in spaces with high ceilings like hotels, living spaces, schools, and offices. These highly customizable downlights are wattage adjustable, CCT tunable, and dimmable to 10%.

Extremely easy to install, this powerful, recessed downlight is equipped with a quick-connect case. This downlight is designed to reduce energy costs and maintenance intervals.



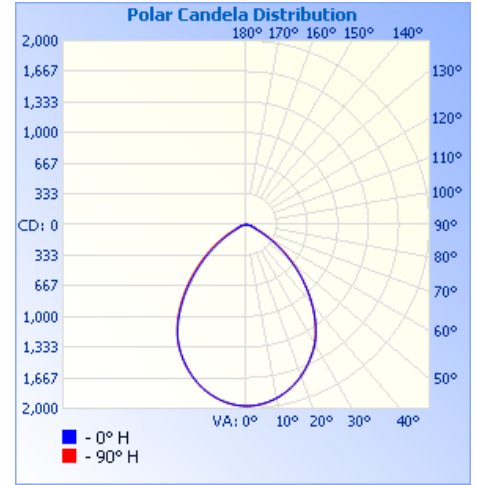
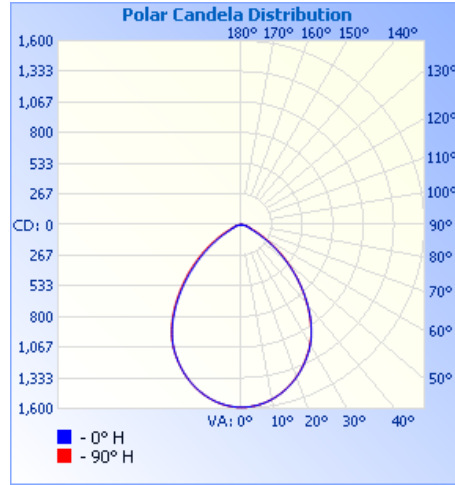
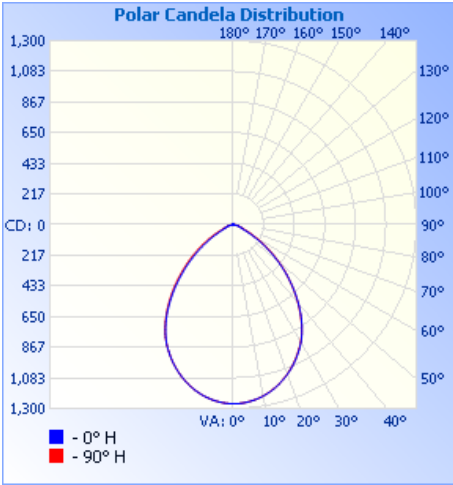
DL254

CCT & WATTAGE TUNABLE DOWNLIGHT

Project: _____ Type: _____

Name: _____ Date: _____

PHOTOMETRICS:

20W:**25W:****33W:**

Illuminance at a Distance

	Center Beam fc	Beam Width	
1.7R	438 fc	3.1 ft	3.1 ft
3.3R	116 fc	6.0 ft	6.1 ft
5.0R	50.6 fc	9.2 ft	9.2 ft
6.7R	28.2 fc	12.3 ft	12.4 ft
8.3R	18.4 fc	15.2 ft	15.3 ft
10.0R	12.7 fc	18.3 ft	18.5 ft

■ Vert. Spread: 85.0°
■ Horiz. Spread: 85.5°

Illuminance at a Distance

	Center Beam fc	Beam Width	
1.7R	550 fc	3.1 ft	3.1 ft
3.3R	146 fc	6.0 ft	6.1 ft
5.0R	63.5 fc	9.2 ft	9.2 ft
6.7R	35.4 fc	12.3 ft	12.4 ft
8.3R	23.1 fc	15.2 ft	15.4 ft
10.0R	15.9 fc	18.3 ft	18.5 ft

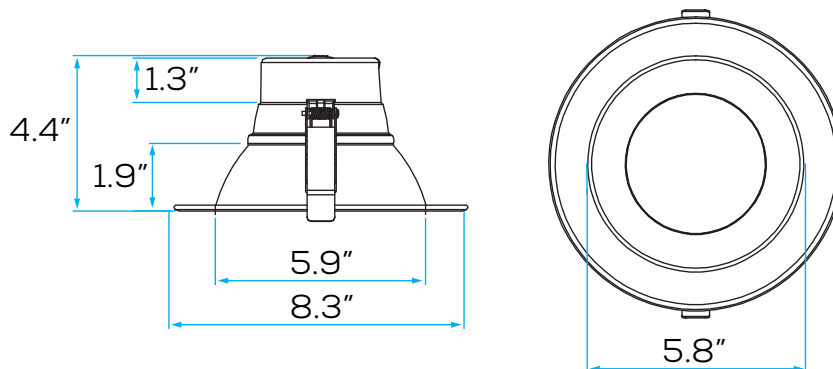
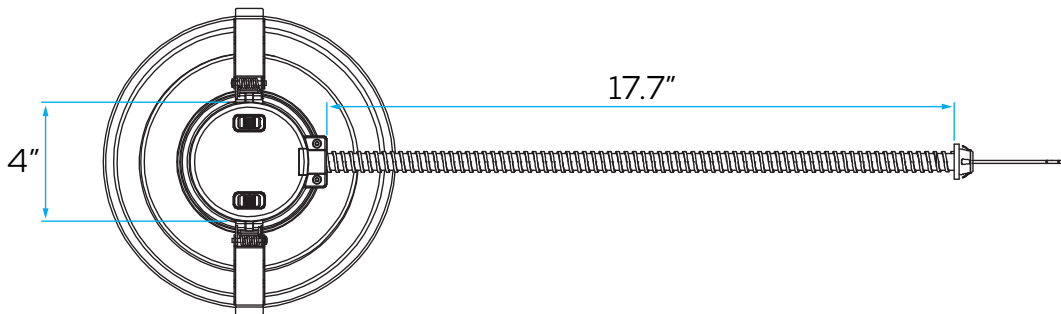
■ Vert. Spread: 85.0°
■ Horiz. Spread: 85.5°

Illuminance at a Distance

	Center Beam fc	Beam Width	
1.7R	682 fc	3.1 ft	3.1 ft
3.3R	181 fc	6.0 ft	6.1 ft
5.0R	78.8 fc	9.2 ft	9.2 ft
6.7R	43.9 fc	12.3 ft	12.4 ft
8.3R	28.6 fc	15.2 ft	15.4 ft
10.0R	19.7 fc	18.3 ft	18.5 ft

■ Vert. Spread: 85.0°
■ Horiz. Spread: 85.5°

DIMENSIONS:





DL254

CCT & WATTAGE
TUNABLE
DOWNLIGHT

Project: _____ Type: _____

Name: _____ Date: _____

ORDER FORM:

(*) Special Order/Not Commonly Stocked

Custom Model Assembly

Fixture

DL254

CCT

Tunable

Watts

Adjustable

Beam Angle

80°

Voltage

120-277V

SES-DL254-CCT-WWW
Example Model Number

SES – DL254 – Tunable – Adjust. – 80° – 120-277V

Quantity

Fixture

CCT

Watts

Beam Angle

Voltage

Common Stock Models:

Item #	Model #
11142	SES-DL254-CCT-WWW