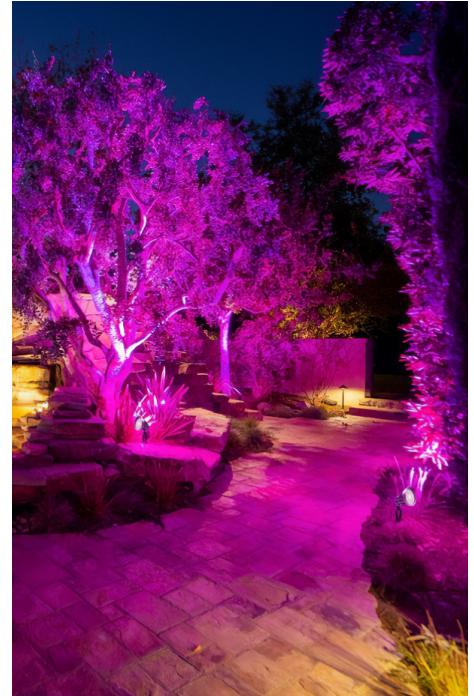




# FL17 | RGB LANDSCAPE FLOOD LIGHT

Project: \_\_\_\_\_ Type: \_\_\_\_\_

Name: \_\_\_\_\_ Date: \_\_\_\_\_



<b>Size</b>	4" H x 4" W x 6.3" D
<b>Watts</b>	12W
<b>Voltage</b>	120-277V
<b>Dimming</b>	Non-Dimming
<b>Beam Angle</b>	85°
<b>Lens</b>	Clear

<b>Lumens</b>	varies, RGB
<b>CCT</b>	RGB
<b>IP Rating</b>	IP65
<b>Materials</b>	Die-Cast Aluminum
<b>Finish</b>	Bronze
<b>Lifespan</b>	50,000 Hours

## OVERVIEW

**CCT:** RGB

**Applications:** IP65

**Efficacy:** RGB

**Dimming:** Non-Dimming

**LED Type:** SMD2835

**Lens Type:** Clear

**Driver:** HB-FL17F013

**Operating Temp:** -4F° to 113F°

**Operating Humidity:** 20% - 90% RH

**Lifespan:** 50,000 Hours

**Warranty:** 5 Years

## FEATURES

- Protected from the elements with an IP65 rating making it suitable for rainy environments
- Durable aluminum housing protects from wear and tear

SARIN LED RGB Landscape Flood Lights are an easy way to brighten your landscape. The lights are safe for outdoor use and protected from rain, snow, and weak jets of water, such as sprinklers. These lights are perfect along pathways, low level perimeter lighting, garden bed lighting, area lighting, accent lighting and walkway lighting. Three mounting options are available: knuckle mount, PVC bracket, and surface mount.

With cast-aluminum construction, powder-coated finish and weatherproof electronics, you can count on them to last. These lights are have a lifespan of 50,000 hours.

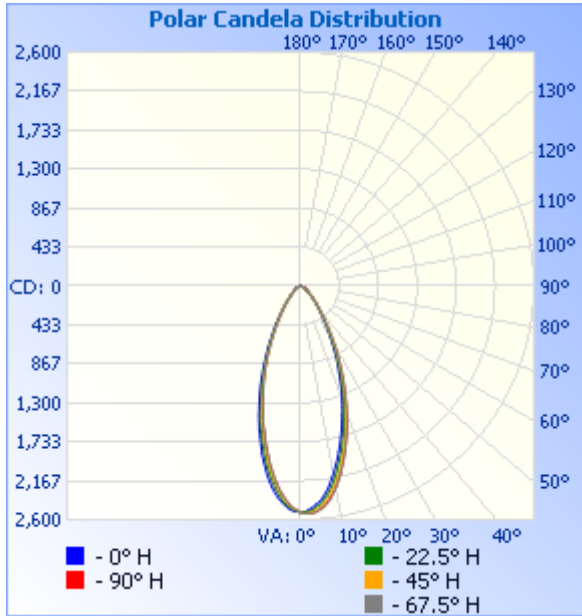


# FL17 | RGB LANDSCAPE FLOOD LIGHT

Project: \_\_\_\_\_ Type: \_\_\_\_\_

Name: \_\_\_\_\_ Date: \_\_\_\_\_

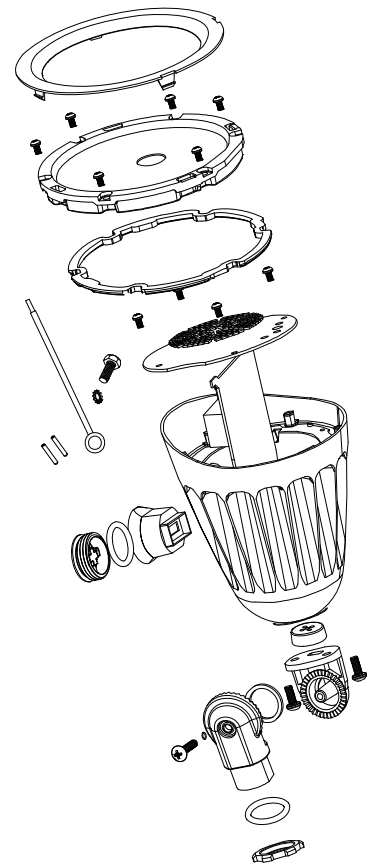
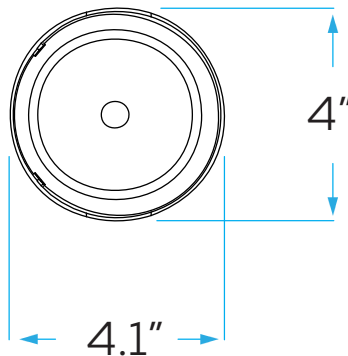
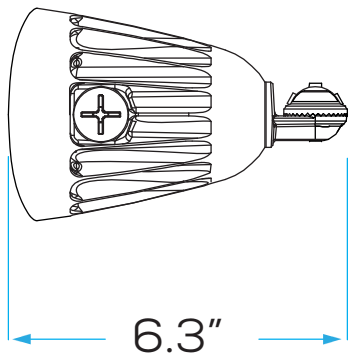
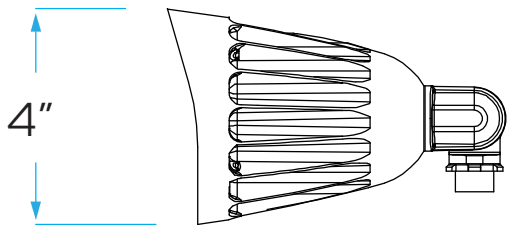
## PHOTOMETRICS:



	Illuminance at a Distance	
	Center Beam fc	Beam Width
1.7ft	869 fc	1.3 ft
3.3ft	231 fc	2.6 ft
5.0ft	101 fc	3.9 ft
6.7ft	56.0 fc	5.2 ft
8.3ft	36.5 fc	6.4 ft
10.0ft	25.1 fc	7.7 ft

■ Vert. Spread: 42.3°  
■ Horiz. Spread: 42.3°

## DIMENSIONS:





# FL17

## RGB LANDSCAPE FLOOD LIGHT

Project: \_\_\_\_\_ Type: \_\_\_\_\_

Name: \_\_\_\_\_ Date: \_\_\_\_\_

### ORDER FORM:

(\*) Special Order/Not Commonly Stocked

Custom Model Assembly

Fixture	CCT	Watts	Beam Angle	Voltage
<input checked="" type="checkbox"/> FL17	<input checked="" type="checkbox"/> RGB	<input checked="" type="checkbox"/> 12W	<input checked="" type="checkbox"/> 85°	<input checked="" type="checkbox"/> 120-277V

SES-FL17-RGB-12W  
Example Model Number

**SES - FL17 - RGB - 12W - 85° - 120-277V**

Quantity

Fixture

CCT

Watts

Beam Angle

Voltage

### Common Stock Models:

Item #	Model #
11342	SES-FL17-RGB-12W

### Optional Accessories:

Item #	Model #	QTY
11342-A	SES-FL17-PVC-BRACKET	
11342-B	SES-FL17-SURFACE-MOUNT	



11342-A



11342-B