

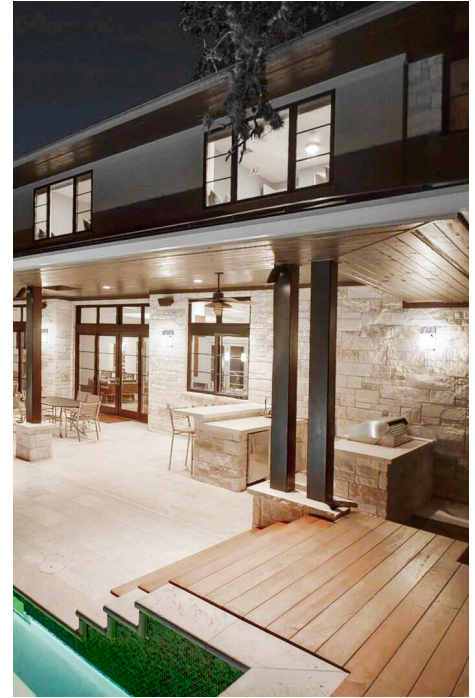


MWP

MINI LED WALL PACK

Project: _____ Type: _____

Name: _____ Date: _____



Size	6" W x 9.1" H x 3.6" D	Lumens	3000lm
Watts	26W	CCT	3000K
Voltage	100-277V	IP Rating	IP65
Dimming	Non-Dimming	Materials	Aluminum, PC
Beam Angle	110°	Finish	Bronze
CRI	>70	Lens	Clear
PF	≥ 0.9	Lifespan	50,000 Hours

OVERVIEW

- CCT:** 3000K
- Applications:** IP65
- Efficacy:** 120lm/W
- Dimming:** Non-Dimming
- LED Type:** SMD Lumileds Chips
- Lens Type:** Clear
- Driver:** Independent research and development
- Operating Temp:** -4° to 122° F
- Operating Humidity:** 10%-90% RH
- Lifespan:** 50,000 Hours
- Warranty:** 5 Years

FEATURES

- Photocell Light Sensor automatically activates the lights when dark
- Protected from the elements with an IP65 rating making it suitable for wet conditions
- Offers cool white light with a 110° beam spread



SARIN LED MINI WALL PACKS are commonly used to replace high-pressure sodium and metal halide lights to provide energy savings of up to 70%. These lights provide great lighting to poorly lit areas. They are safe for outdoor use and protected from rain, snow, and weak jets of water, such as sprinklers.

This wall pack adopts the latest technology, replacing traditional bulbs with energy efficient LEDs. These are widely used in the lighting of homes, hotels, offices, hallways, garages, streets, landscapes and other commercial spaces. These fixtures are suitable for a variety of applications.





MWP

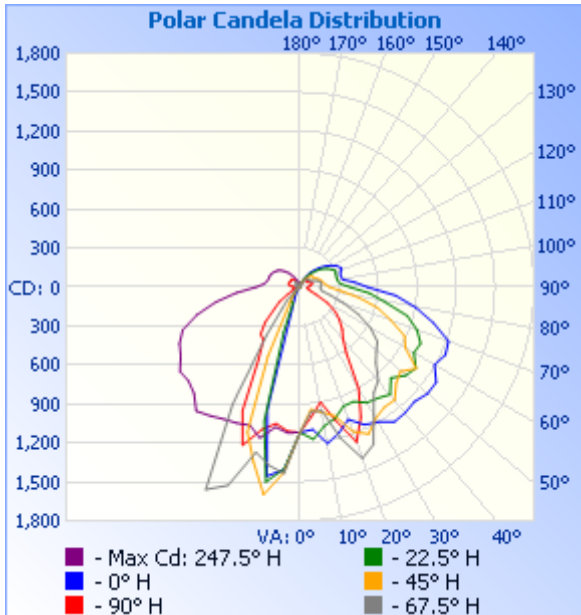
MINI LED WALL PACK

Project: _____ Type: _____

Name: _____ Date: _____

PHOTOMETRICS:

X° Beam Angle: (Polar Candela Dist.)



Light Distance: (Illuminance at a Distance)

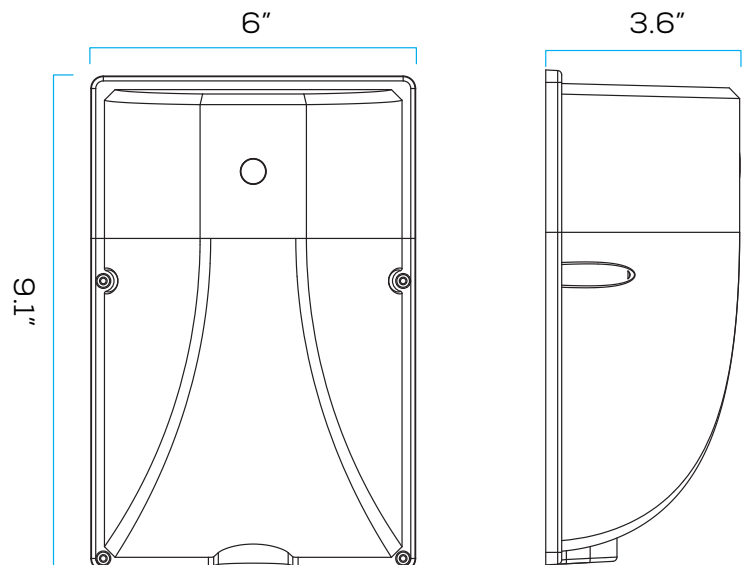
	Center Beam fc	Beam Width	
2.5ft	179 fc	4.9 ft	2.9 ft
5.0ft	44.8 fc	9.8 ft	5.7 ft
7.5ft	19.9 fc	14.7 ft	8.6 ft
10.0ft	11.2 fc	19.6 ft	11.5 ft
12.5ft	7.16 fc	24.4 ft	14.3 ft
15.0ft	4.97 fc	29.3 ft	17.2 ft

■ Vert. Spread: 88.7°
■ Horiz. Spread: 59.7°

IMPORTANT SAFEGUARDS:

1. Installation, service and maintenance should be performed by a qualified licensed electrician.
2. Make all electrical and grounded connections in accordance with national electrical code and any applicable local code requirements.
3. Disconnect power at fuse or circuit breaker before installing or servicing.
4. Review the diagrams thoroughly before beginning.
5. Do not mount in hazardous locations, or near gas or electric heaters.
6. Do not let power cords touch hot surfaces.
7. Equipment should be mounted in locations where it will not be subjected to tampering by unauthorized personnel.
8. Do not use equipment for other than its intended use.

DIMENSIONS:





MWP

MINI LED WALL PACK

Project: _____ Type: _____

Name: _____ Date: _____

ORDER FORM:

(* Special Order/Not Commonly Stocked)

Custom Model Assembly

Fixture

MWP

CCT

3000K

Watts

26W

Beam Angle

110°

Voltage

100-277V

SES-MWP-3000-26
Example Model Number

SES - MWP - 3000K - 26W - 110° - 100-277V

Quantity

Fixture

CCT

Watts

Beam Angle

Voltage

Common Stock Models:

Item #	Model #
11307	SES-MWP-3000-26