

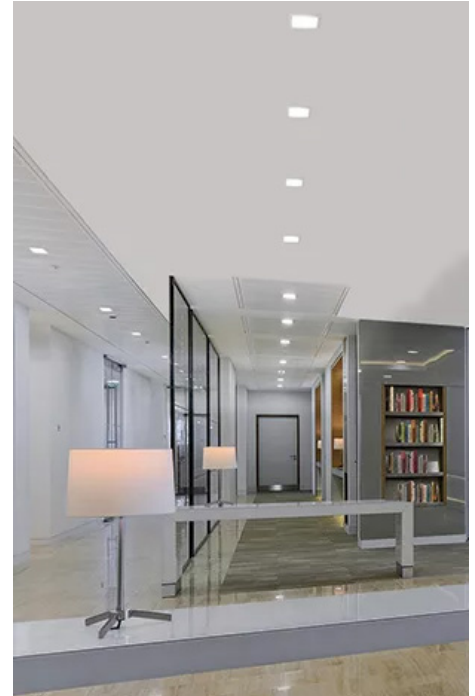


SSDL

SLIM SQUARE DOWNLIGHT

Project: _____ Type: _____

Name: _____ Date: _____



Size	see dimensions	Lumens	780lm, 1,100lm
Watts	9W, 14W	CCT Tunable	2700K-3000K-3500K-4000K-5000K
Voltage	120V	IP Rating	Wet Location
Dimming	TRIAC, DIP Switch	Materials	Aluminum, PC
Beam Angle	110°	Finish	White
CRI	>80	Lens	Frosted
PF	≥ 0.9	Lifespan	50,000 Hours

OVERVIEW

- CCT:** Tunable
- Applications:** Wet Location
- Efficacy:** 78.5-86.6lm/W
- Dimming:** TRIAC
- LED Type:** SMD2835
- Lens Type:** Frosted
- Driver:** Independent Research and development
- Operating Temp:** -4F° to 104F°
- Lifespan:** 50,000 Hours
- Warranty:** 5 Years

FEATURES

- CCT Tunable with five color temperatures to choose from
- Frosted lens protects the eyes from glare while adding a warm, rich light



SARIN LED SLIM DOWNLIGHTS remove the need for recessed cans, freeing up space for installation and hard-to-reach locations with a sleek and elegant look. This downlight is designed to reduce energy costs and maintenance intervals. The spring action clips and junction box eliminate the need for housing, making for easier installations.

These downlights are meant for indoor use but can be installed in damp locations such as kitchens and bathrooms, where humidity and splashes of water are common. Access to space above the ceiling is required for installation.





SSDL

**SLIM SQUARE
DOWNLIGHT**

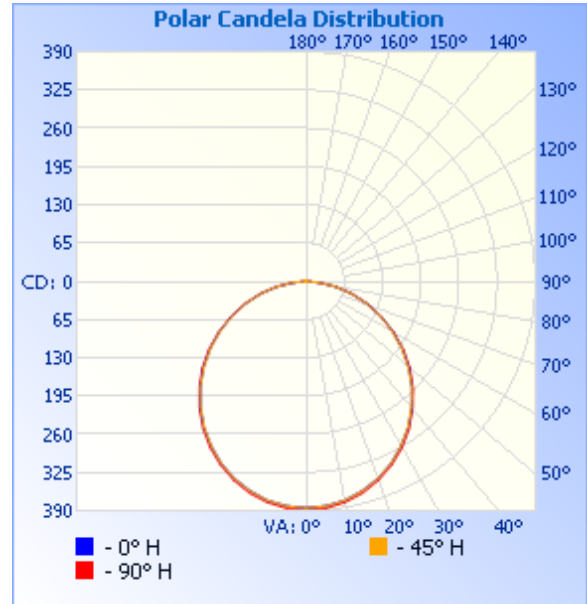
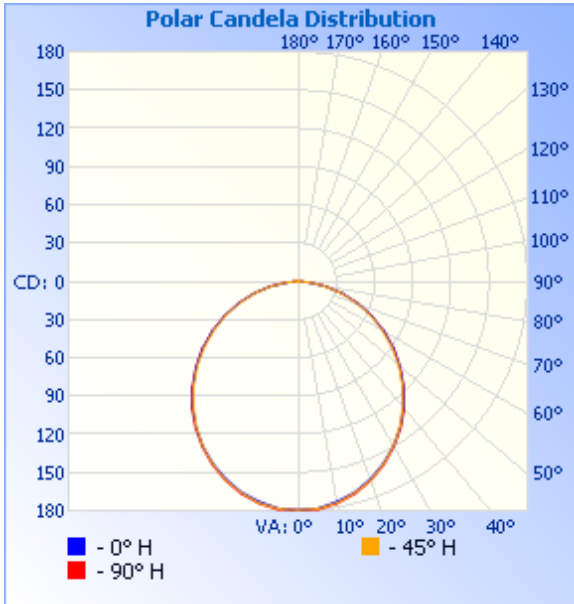
Project: _____ Type: _____

Name: _____ Date: _____

PHOTOMETRICS:

SSDL4

SSDL6



Illuminance at a Distance

	Center Beam fc	Beam Width	
1.7ft	62.1 fc	4.9 ft	5.0 ft
3.3ft	16.5 fc	9.5 ft	9.7 ft
5.0ft	7.17 fc	14.4 ft	14.7 ft
6.7ft	4.00 fc	19.3 ft	19.7 ft
8.3ft	2.60 fc	23.9 ft	24.4 ft
10.0ft	1.79 fc	28.8 ft	29.3 ft

■ Vert. Spread: 110.5°
■ Horiz. Spread: 111.5°

Illuminance at a Distance

	Center Beam fc	Beam Width	
1.7ft	133 fc	5.0 ft	5.1 ft
3.3ft	35.4 fc	9.7 ft	9.9 ft
5.0ft	15.4 fc	14.7 ft	15.0 ft
6.7ft	8.58 fc	19.7 ft	20.1 ft
8.3ft	5.59 fc	24.5 ft	25.0 ft
10.0ft	3.85 fc	29.5 ft	30.1 ft

■ Vert. Spread: 111.7°
■ Horiz. Spread: 112.7°



SSDL

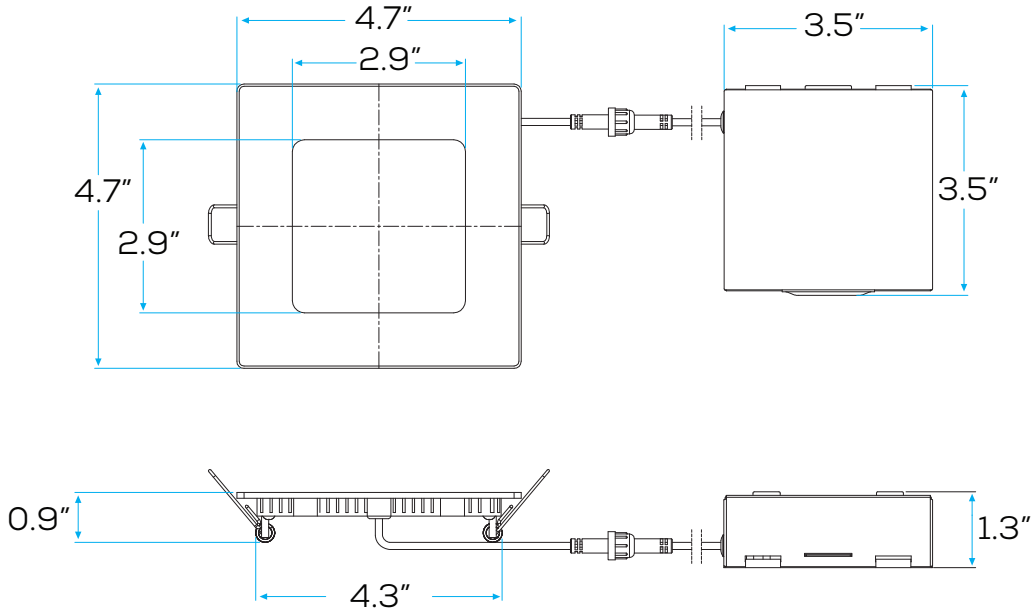
**SLIM SQUARE
DOWNLIGHT**

Project: _____ Type: _____

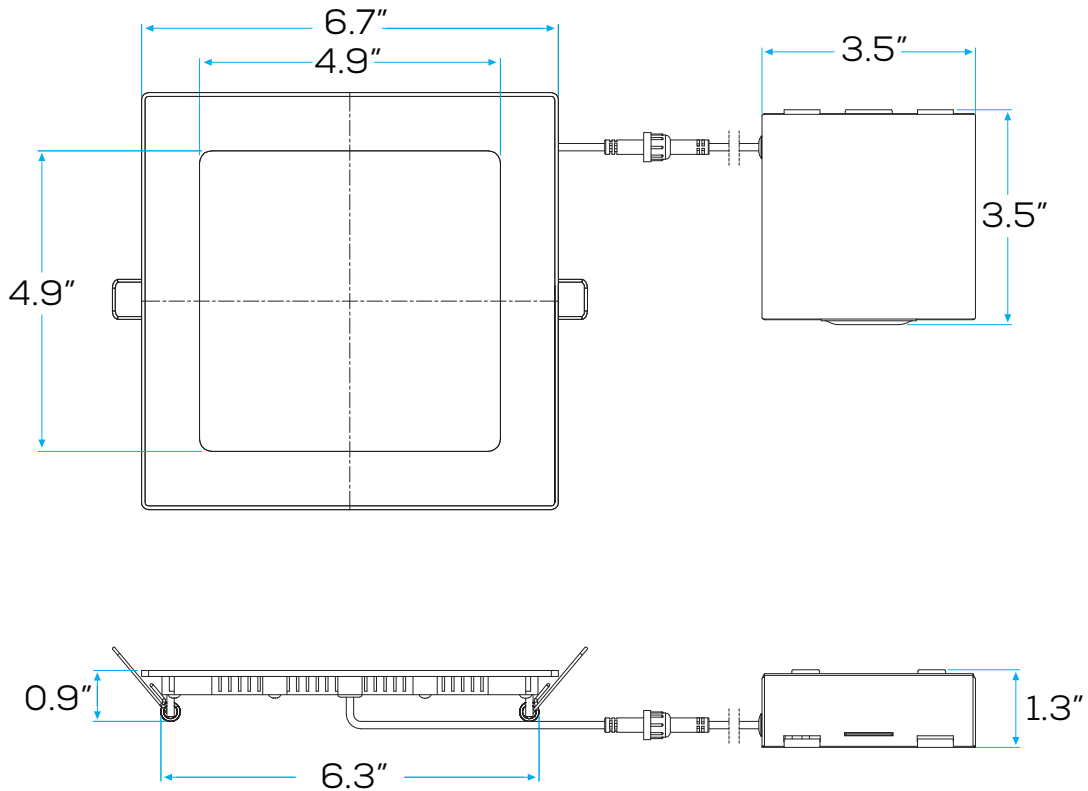
Name: _____ Date: _____

DIMENSIONS:

SSDL4



SSDL6





SSDL

SLIM SQUARE
DOWNLIGHT

Project: _____ Type: _____

Name: _____ Date: _____

ORDER FORM:

(*) Special Order/Not Commonly Stocked

Custom Model Assembly

Fixture

SSDL

CCT

Tunable

Watts

9W

14W

Beam Angle

110°

Voltage

120V

SES-SSDL4-CCT-9
Example Model Number

SES — SSDL — Tunable — 110° — 120V

Quantity

Fixture

CCT

Watts

Beam Angle

Voltage

Common Stock Models:

Item #	Model #
11283	SES-SSDL4-CCT-9
11284	SES-SSDL6-CCT-14