



SSLSK

LED ADJUSTABLE SOLAR AREA LIGHT

Project: _____ Type: _____

Name: _____ Date: _____



Size	See Dimensions	Lumens	6,000lm, 12,000lm, 18,000lm
Watts	40W, 80W, 120W	CCT	6000K
Voltage	14.8V	IP Rating	IP65
Dimming	Motion Sensor	Materials	Aluminum, ABS, PC
Beam Angle	140°	Finish	Black
LI-Ion Battery	244Wh/11.1V,22AH 473Wh/14.8V,32AH 710Wh/14.8V,48AH	Lens	Clear
Charge Time	8 Hours	PIR Sensor	150° & 26-39' Detection
Working Time	3-6 nights depending on mode	Lifespan	35,000 Hours

OVERVIEW

- Tunable:** 6000K
- Applications:** IP65
- Efficacy:** 150lm/W
- Dimming:** Motion Sensor
- Operating Temp:** -4° to 140°
- Lifespan:** 35,000 Hours
- Warranty:** 3-Year Product and Battery Warranty

FEATURES

- Installation height options include 13-19.7', 16.4-26.2', 16.4-26.2'
- Protected from the elements with an IP44 rating, making it suitable for rainy environments

SARIN Solar Area Lights are designed with adjustable light modules to allow the optimal angle for sunlight absorption and light spread. The premium quality mono-crystalline silicon solar panel has high efficiency solar power conversion. The remote is used to switch between a variety of working modes. There are two PIR motion sensors for use with the motion detection setting with increased range.

This decorative solar area light is ideal for parking lots, street lighting, sidewalks and parks. With an IP65 rating, they are safe to use in wet locations that come in direct contact with rain and water.





SSL SK

LED ADJUSTABLE SOLAR AREA LIGHT

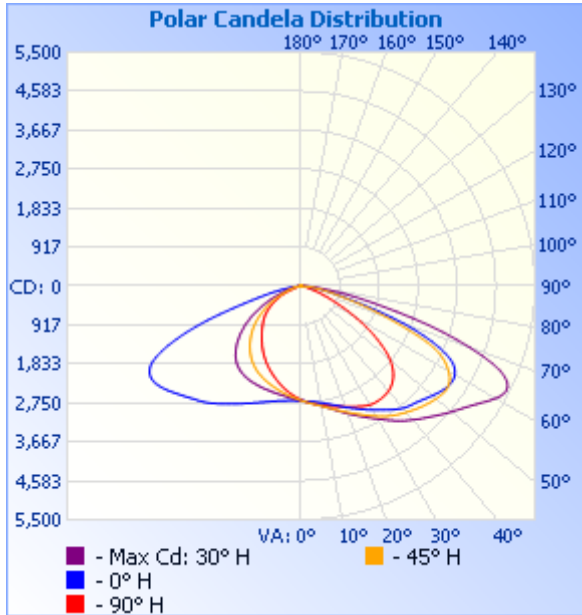
Project: _____ Type: _____

Name: _____ Date: _____

PHOTOMETRICS:

X° Beam Angle: (Polar Candela Dist.)

Light Distance: (Illuminance at a Distance)



	Center Beam fc	Beam Width	
4.3ft	146 fc	25.7 ft	4.1 ft
8.7ft	35.6 fc	52.0 ft	8.2 ft
13.0ft	16.0 fc	77.6 ft	12.3 ft
17.3ft	9.01 fc	103.3 ft	16.4 ft
21.7ft	5.73 fc	129.6 ft	20.6 ft
26.0ft	3.99 fc	155.3 ft	24.7 ft

■ Vert. Spread: 143.0°
■ Horiz. Spread: 50.7°



SSL SK

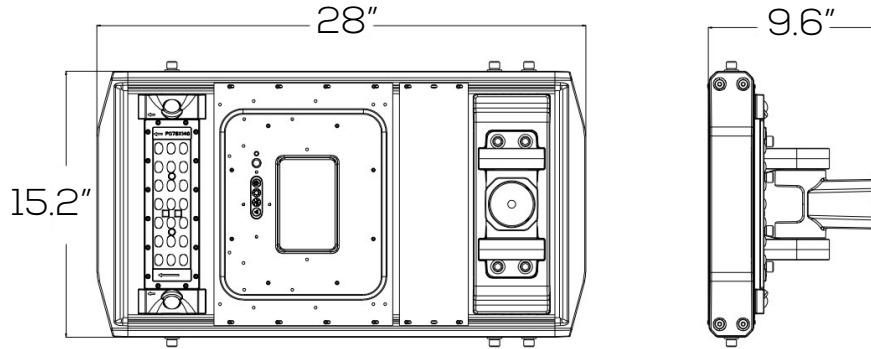
LED ADJUSTABLE SOLAR AREA LIGHT

Project: _____ Type: _____

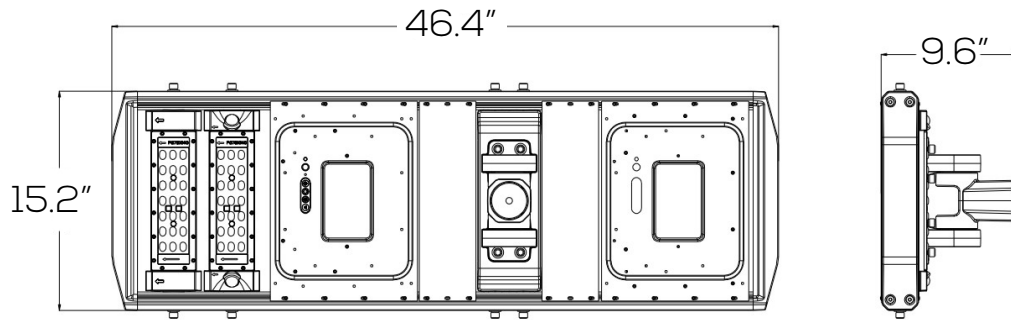
Name: _____ Date: _____

DIMENSIONS:

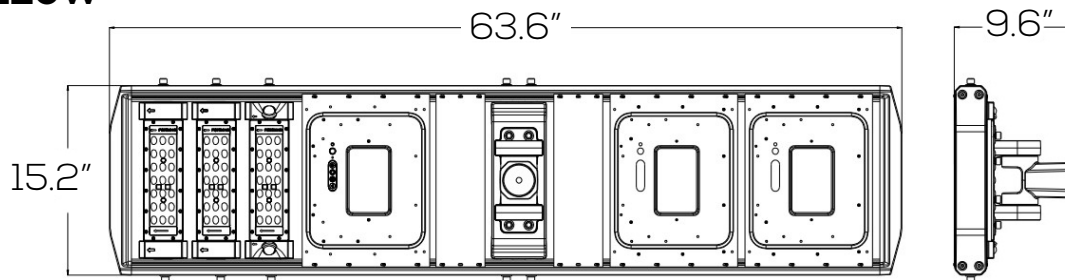
40W



80W



120W





SSL SK

LED ADJUSTABLE SOLAR AREA LIGHT

Project: _____ Type: _____

Name: _____ Date: _____

ORDER FORM:

(* Special Order/Not Commonly Stocked)

Custom Model Assembly

	Fixture	CCT	Watts	Beam Angle	Voltage				
<input checked="" type="checkbox"/>	SSL SK	<input checked="" type="checkbox"/>	6000K	<input type="checkbox"/>	40W	<input checked="" type="checkbox"/>	140°	<input checked="" type="checkbox"/>	14.8V
				<input type="checkbox"/>	80W				
				<input type="checkbox"/>	120W				

SES-SSL SK-80-6000
Example Model Number

SES - SSL SK - 6000K - 140° - 14.8V

Quantity	Fixture	CCT	Watts	Beam Angle	Voltage
----------	---------	-----	-------	------------	---------

Common Stock Models:

Item #	Model #
10369	SES-SSL SK-80-6000
30369	SES-SSL SK-40-6000
30370	SES-SSL SK-120-6000

Optional Accessories:



Remote
40367-A