



Size	11" W x 5.5" H	Lumens	15,400 - 16,500lm
Watts	150W	CCT	5700K
Voltage	120V	IP Rating	IP65
Dimming	Non-Dimming	Materials	Die-Cast Aluminum
Beam Angle	110°	Finish	Black
CRI	>80	Lens	Clear
PF	≥ 0.9	Lifespan	30,000 Hours

OVERVIEW

- Tunable:** 5700K
- Applications:** IP65
- Efficacy:** 103 - 110lm/W
- Dimming:** Non-Dimming
- LED Type:** Bridgelux 2835
- Lens Type:** Clear
- Driver:** DOB Driver
- Operating Temp:** -40°F to 113°F
- Operating Humidity:** 20% - 90% RH
- Lifespan:** 30,000 Hours
- Warranty:** 3 Years

FEATURES

- Integrated & convenient space for optional light sensor
- Included Hook Mount



SARIN LED UFO High Bay lights are commonly used in the lighting of workshops, factories, warehouses, large retail spaces, gas stations and gymnasiums. These fixtures are suitable for a variety of applications, and will provide significant energy savings. This round high bay provides a circular light beam angle of about 90°.

This High Bay provides uniform light distribution and features a die-cast aluminum construction, making the lights extremely durable.

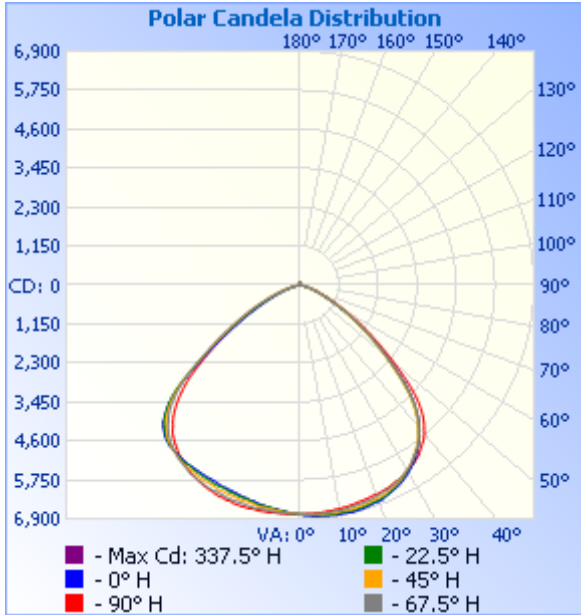
LED Round High Bay is 0-10V dimming and features a screw-in sensor in the design with an emergency backup (30W, 1.5H). Accessories are easy to add and include optional surge protectors, optional mounts, and more.



PHOTOMETRICS:

X° Beam Angle: (Polar Candela Dist.)

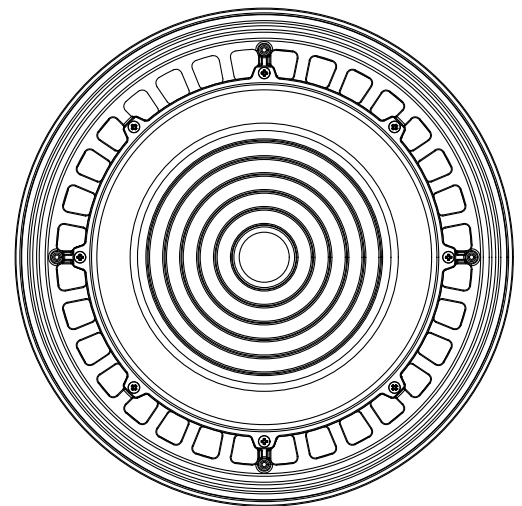
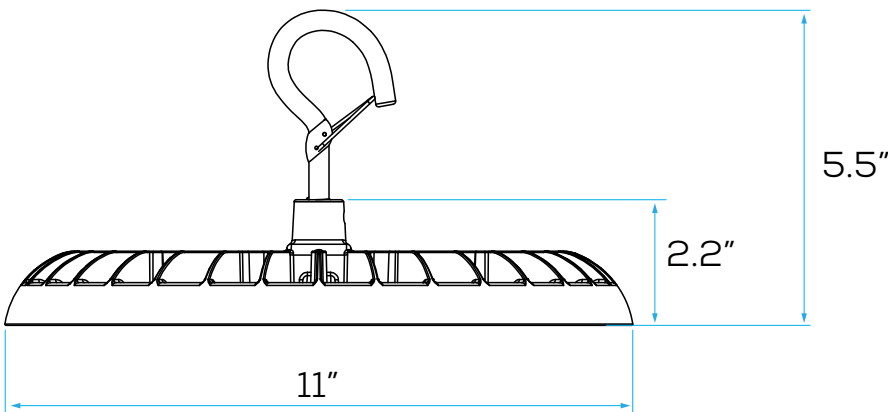
Light Distance: (Illuminance at a Distance)



	Illuminance at a Distance	
	Center Beam fc	Beam Width
4.3ft	366 fc	10.9 ft 10.7 ft
8.7ft	89.4 fc	22.0 ft 21.6 ft
13.0ft	40.0 fc	32.9 ft 32.2 ft
17.3ft	22.6 fc	43.8 ft 42.9 ft
21.7ft	14.4 fc	55.0 ft 53.8 ft
26.0ft	10.0 fc	65.9 ft 64.4 ft

■ Vert. Spread: 103.4°
■ Horiz. Spread: 102.2°

DIMENSIONS:





UHBD02 | UFO HIGHBAY

Project: _____ Type: _____

Name: _____ Date: _____

ORDER FORM:

(*) Special Order/Not Commonly Stocked

Custom Model Assembly

Fixture	CCT	Watts	Beam Angle	Voltage
<input checked="" type="checkbox"/> UHBD02	<input checked="" type="checkbox"/> 5700K	<input checked="" type="checkbox"/> 150W	<input checked="" type="checkbox"/> 110°	<input checked="" type="checkbox"/> 120V

SES-UHBD02-5700-150W
Example Model Number

SES – UHBD02 – 5700K – 150W – 110° – 120V

Quantity

Fixture

CCT

Watts

Beam Angle

Voltage

Common Stock Models:

Item #	Model #
11347	SES-UHBD02-5700-150W

Optional Accessories:

Item #	Model #	QTY:
13045	SES-UHBD02-HOOK	



Included Hook



Optional Hook