

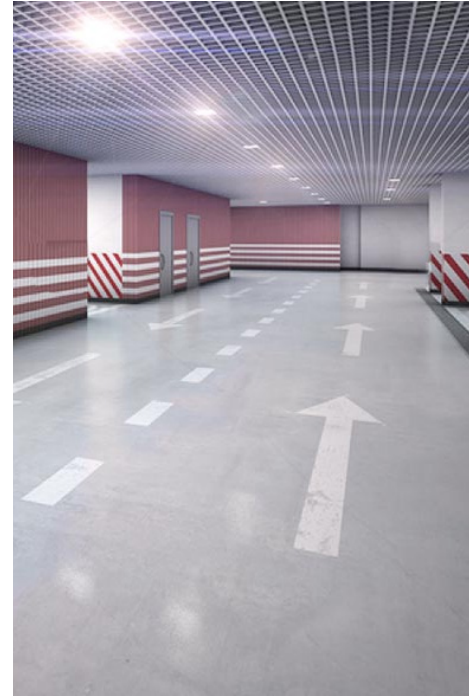


CP6

LED CANOPY LIGHT

Project: _____ Type: _____

Name: _____ Date: _____



Size	15" L x 15" W x 2.6" D	Lumens	95W: 12,833-12,995lm 150W: 20,065-20,360lm
Watts	95W, 150W	CCT	5700K
Voltage	120-277V	IP Rating	IP65
Dimming	0-10V	Materials	Die-Cast Aluminum
Beam Angle	120°	Finish	White
CRI	>80	Lens	Clear Stripe PC
PF	≥ 0.9	Lifespan	50,000 Hours

OVERVIEW

- CCT:** 5700K
- Applications:** IP65
- Efficacy:** 135lm/W
- Dimming:** Non-Dimming
- LED Type:** SMD2835
- Lens Type:** Clear Stripe PC
- Driver:** WP-CNB-100U-1A0SCPF1-Z & WP-CNB-150U-1A5SCPO7-Z
- Operating Temp:** -40°F to 113°F
- Operating Humidity:** 20% - 90% RH
- Lifespan:** 50,000 Hours
- Warranty:** 5 Years

FEATURES

- Extremely high efficacy of 135 lumens per watt, which saves on electricity usage





CP6

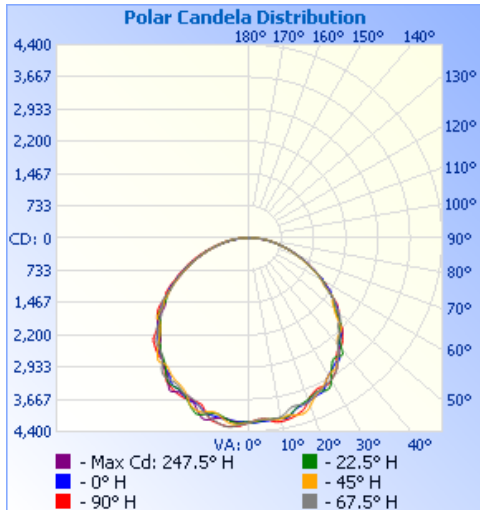
LED CANOPY LIGHT

Project: _____ Type: _____

Name: _____ Date: _____

PHOTOMETRICS:

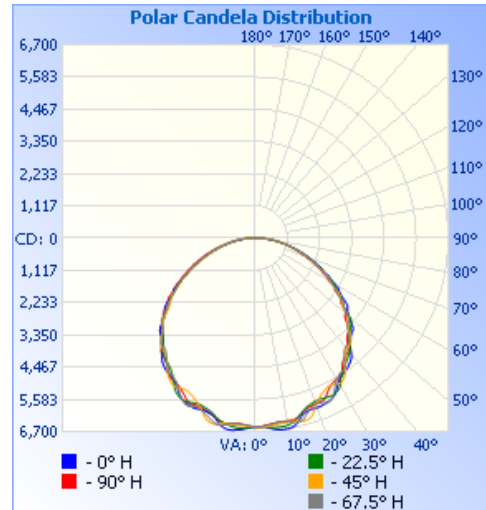
95W



Distance (ft)	Center Beam fc	Beam Width (ft)	Beam Width (ft)
4.3R	227 fc	13.3 ft	13.6 ft
8.7R	55.4 fc	26.9 ft	27.6 ft
13.0R	24.8 fc	40.3 ft	41.3 ft
17.3R	14.0 fc	53.6 ft	54.9 ft
21.7R	8.90 fc	67.2 ft	68.9 ft
26.0R	6.20 fc	80.5 ft	82.5 ft

■ Vert. Spread: 114.3°
■ Horiz. Spread: 115.6°

150W



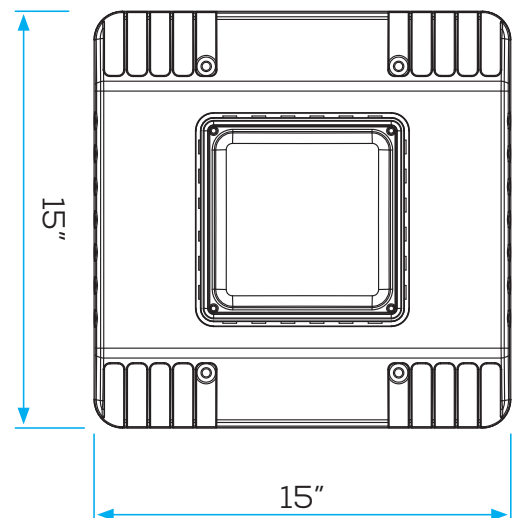
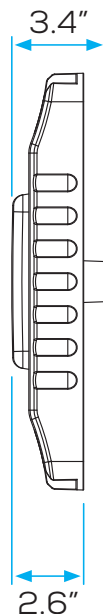
Distance (ft)	Center Beam fc	Beam Width (ft)	Beam Width (ft)
4.3R	353 fc	13.8 ft	13.3 ft
8.7R	86.3 fc	28.0 ft	26.8 ft
13.0R	38.6 fc	41.9 ft	40.1 ft
17.3R	21.8 fc	55.7 ft	53.4 ft
21.7R	13.9 fc	69.9 ft	66.9 ft
26.0R	9.66 fc	83.7 ft	80.2 ft

■ Vert. Spread: 116.3°
■ Horiz. Spread: 114.1°

IMPORTANT SAFEGUARDS:

DIMENSIONS:

1. Installation, service and maintenance should be performed by a qualified licensed electrician.
2. Make all electrical and grounded connections in accordance with national electrical code and any applicable local code requirements.
3. Disconnect power at fuse or circuit breaker before installing or servicing.
4. Review the diagrams thoroughly before beginning.
5. Do not mount in hazardous locations, or near gas or electric heaters.
6. Do not let power cords touch hot surfaces.
7. Equipment should be mounted in locations where it will not be subjected to tampering by unauthorized personnel.
8. Do not use equipment for other than its intended use.





CP6

LED CANOPY LIGHT

Project: _____ Type: _____

Name: _____ Date: _____

ORDER FORM:

(*) Special Order/Not Commonly Stocked

Custom Model Assembly

Fixture
 CP6

CCT
 5700K

Watts
 95W
 150W

Beam Angle
 120°

Voltage
 120-277V

SES-CP6-5700-95
Example Model Number

SES - CP6 - 5700K - 120° - 120-277V

Quantity

Fixture

CCT

Watts

Beam Angle

Voltage

Common Stock Models:

Item #	Model #
11400	SES-CP6-5700-95
11401	SES-CP6-5700-150