



HB18B | TUNABLE UFO HIGHBAY

Project: _____ Type: _____

Name: _____ Date: _____



| | | | |
|-----------------------|-----------------|-----------------|-----------------|
| 100W/120W/150W | 100W | 120W | 150W |
| | 13,500-15,000lm | 16,200-18,000lm | 20,250-22,500lm |
| 180W/200W/240W | 180W | 200W | 240W |
| | 24,300-27,000lm | 27,000-30,000lm | 32,400-36,000lm |

| | | | |
|-------------------|---------------------------------------------------|------------------|-------------------|
| Size | Low Watt: Ø11" x 5.7" High Watt: Ø13.4" x 5.7" | CCT | 3500K-4000K-5000K |
| Voltage | 120-277V | IP Rating | IP65 |
| Dimming | 0-10V | Materials | Die-cast Aluminum |
| Beam Angle | 90° | Finish | Black |
| CRI | >80 | Lens | Clear |
| PF | ≥ 0.9 | Lifespan | 50,000 Hours |

OVERVIEW

- CCT:** Tunable
- Applications:** IP65
- Efficacy:** 135-150lm/W
- Dimming:** 0-10V
- LED Type:** Lumileds 2835
- Lens Type:** Clear
- Driver:** LF-FHB150YA IV & LF-FHB240YA IV
- Operating Temp:** -40F° to 122°
- Operating Humidity:** 20% - 90% RH
- Lifespan:** 50,000 Hours
- Warranty:** 5 Years

FEATURES

- Adjustable CCT, Wattage, and Dimming
- Optional Accessories: Surge protector, Motion Sensor, PC reflector, AL reflector, Wire guard, Emergency backup, Remote Controller



SARIN LED UFO High Bay lights are commonly used in the lighting of workshops, factories, warehouses, large retail spaces, gas stations, and gymnasiums. These fixtures are suitable for a variety of applications, and will provide significant energy savings. Round high bay LED lights provide a circular light beam angle of 90°.

This High Bay provides uniform light distribution and features a die-cast aluminum construction, making the lights extremely durable.

This LED Round High Bay is 0-10V dimming and features a motion sensor base allowing for further customization.





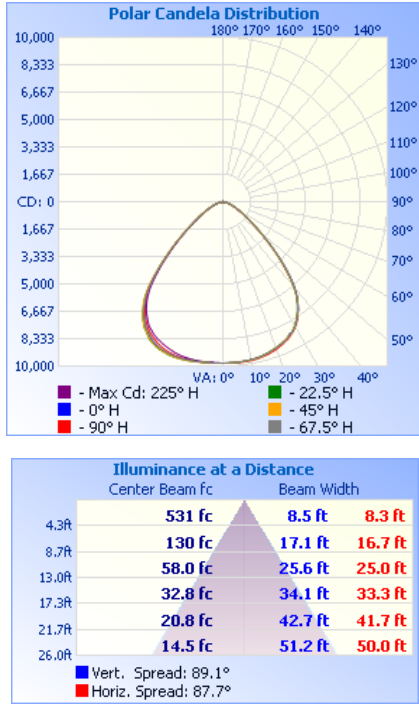
HB18B | TUNABLE UFO HIGHBAY

Project: _____ Type: _____

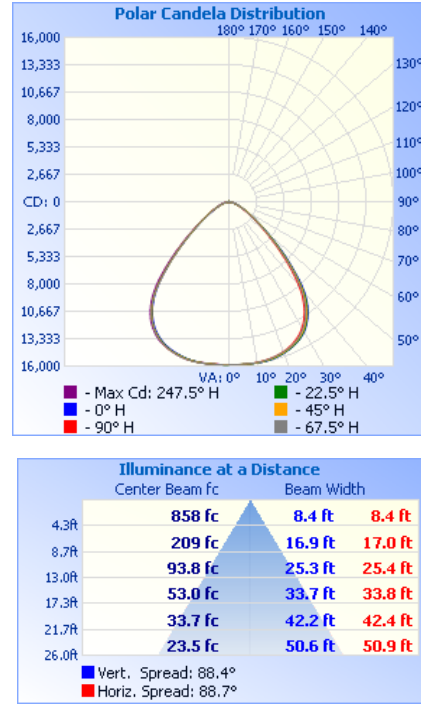
Name: _____ Date: _____

PHOTOMETRICS:

Low Wattage

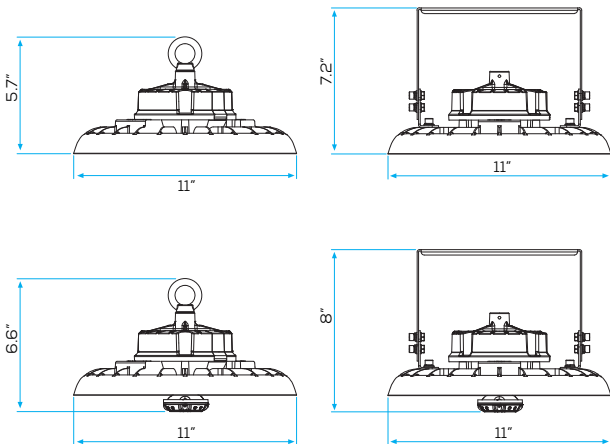


High Wattage

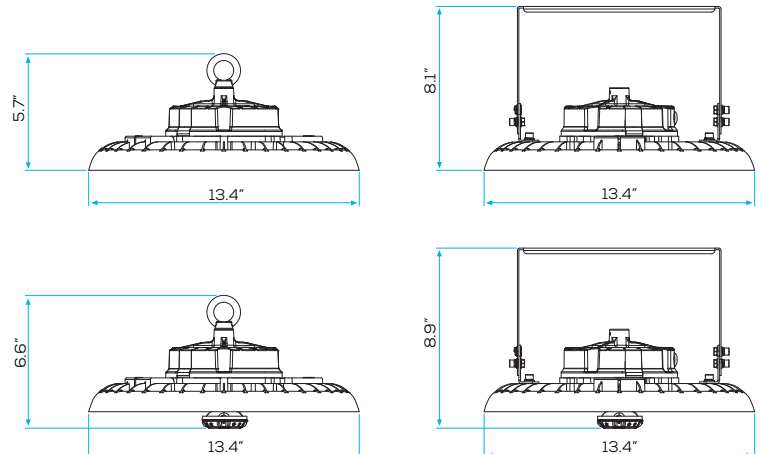


DIMENSIONS:

Low Wattage



High Wattage





HB18B

TUNABLE UFO HIGHBAY

Project: _____ Type: _____

Name: _____ Date: _____

ORDER FORM:

(*) Special Order/Not Commonly Stocked

Custom Model Assembly

| | | | | |
|-------------------------------------------------|-------------------------------------------|---------------------------------------------|------------------------------------------------------------------------------------|----------------------------------------------|
| | Fixture | CCT | Wattage Adjustable | Voltage |
| <u>SES-HB18B-CCT-LW</u> Example Model Number | <input checked="" type="checkbox"/> HB18B | <input checked="" type="checkbox"/> Tunable | <input type="checkbox"/> 150W/120W/100W <input type="checkbox"/> 240W/200W/180W | <input checked="" type="checkbox"/> 120-277V |

SES – HB18B – Tunable –

| | | | | |
|-----------------|----------------|------------|---------------------------|----------------|
| Quantity | Fixture | CCT | Wattage Adjustable | Voltage |
|-----------------|----------------|------------|---------------------------|----------------|

Common Stock Models:

| Item # | Model # |
|--------|---------------------|
| 11345 | SES-HB18B-CCT-LW |
| 11346 | SES-HB18B-CCT-HW |
| 11374 | SES-HB18B-CCT-LW-WH |

Optional Accessories:

| Item # | Model # | Quantity |
|---------|--------------------------------|----------|
| 11115-A | HB01DMS | |
| 11123 | SES-HB11-EM | |
| 11124 | SES-HB11-150W-COVER | |
| 11125 | SES-HB11-240W-COVER | |
| 11345-A | SES-HB11&HB18B-150W-YK | |
| 11345-B | SES-HB11&HB18B-240W-YK | |
| 11345-C | SES-HB11&HB18B-REMOTE | |
| 11345-D | SES-HB11&HB18B-150W-WIRE-GUARD | |
| 11345-E | SES-HB11&HB18B-240W-WIRE-GUARD | |

**11115-A****11123****11124/11125****11345-A/B****11345-C****11345-D/E**