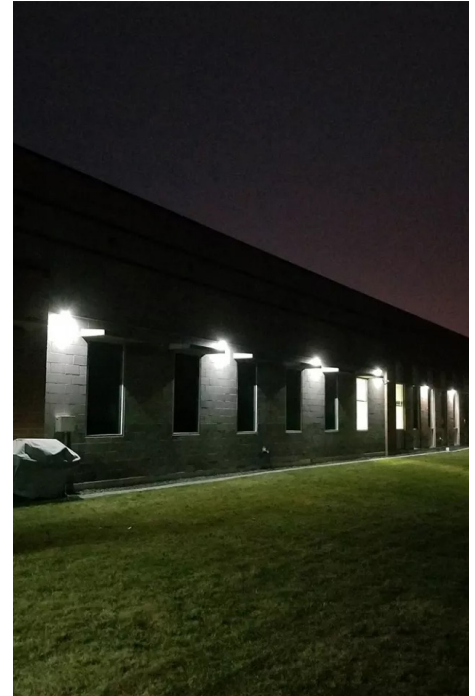




SWP01C | WALL PACK

Project: _____ Type: _____

Name: _____ Date: _____



Size	18" W x 9.6 H x 9.7" D	Lumens	26,390-27,230lm
Watt Adjustable	150W/180W/200W	CCT	5700K
Voltage	120-277V	IP Rating	IP65
Dimming	0-10V	Materials	Die-cast aluminum
Beam Angle	Horizontal 95° Vertical 101°	Finish	Bronze
CRI	>80	Lens	Clear Stripe PC
PF	≥ 0.9	Lifespan	50,000 Hours

OVERVIEW

CCT: 5700K

Applications: IP65

Efficacy: 133-137lm/W

Dimming: 0-10V

LED Type: SMD

Lens Type: Lumileds SMD2835

Driver: WP-CNB-200U-2A0SCPO7-Z-PRO

Operating Temp:

Without Motion Sensor: -40°F to 122°F;

With Motion Sensor: -13°F to 122°F

Operating Humidity: 20% - 90% RH

Lifespan: 50,000 Hours

Warranty: 5 Years

FEATURES

- Watt Adjustable
- Die-Cast Aluminum Casing for thermal management and durability



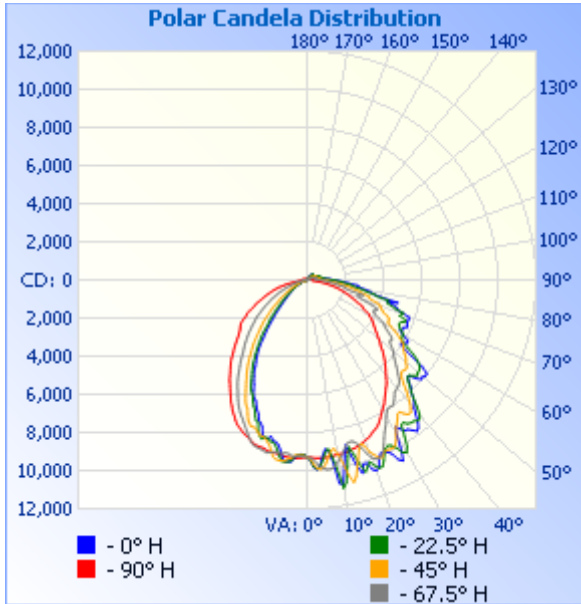
SARIN LED WALL PACKS are commonly used to replace high-pressure sodium and metal halide lights to provide energy savings of up to 70%. These Wall Pack lights are safe for outdoor use and are protected from rain, snow, and weak jets of water, such as sprinklers.

This wall pack adopts the latest technology, replacing traditional bulbs with energy efficient LEDs. These are widely used in the lighting of homes, hotels, garages, streets, landscapes and other commercial spaces. These fixtures are suitable for a variety of applications and will provide significant energy savings.



PHOTOMETRICS:

X° Beam Angle: (Polar Candela Dist.)

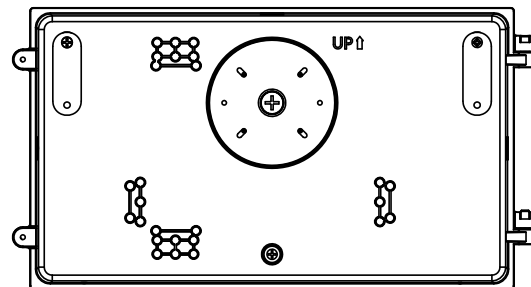
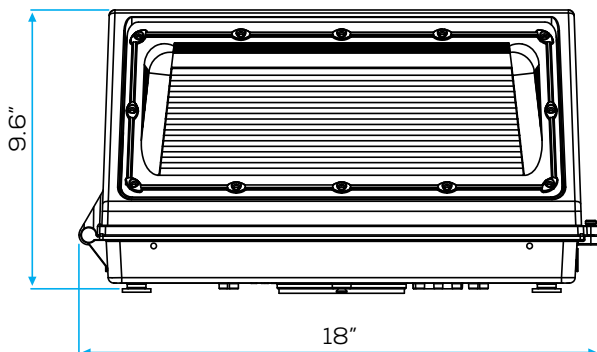
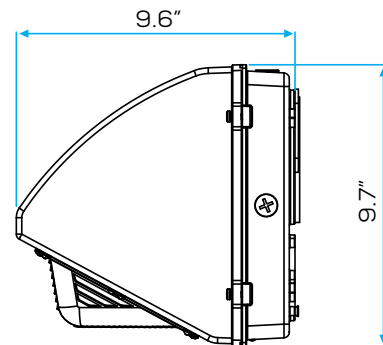
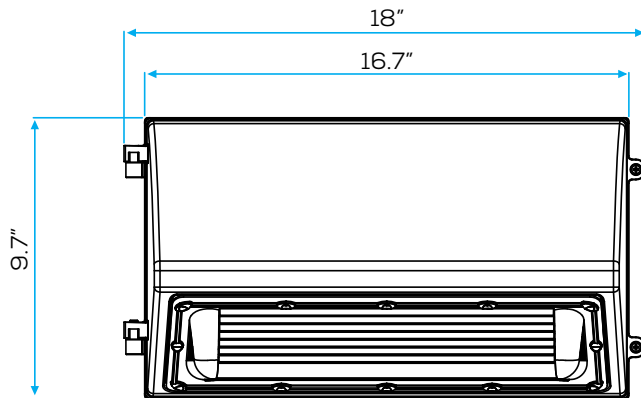


Light Distance: (Illuminance at a Distance)

	Center Beam fc	Beam Width	
2.5ft	1,487 fc	6.1 ft	5.5 ft
5.0ft	372 fc	12.2 ft	11.0 ft
7.5ft	165 fc	18.3 ft	16.5 ft
10.0ft	92.9 fc	24.4 ft	22.1 ft
12.5ft	59.5 fc	30.5 ft	27.6 ft
15.0ft	41.3 fc	36.6 ft	33.1 ft

■ Vert. Spread: 101.4°
■ Horiz. Spread: 95.6°

DIMENSIONS:





SWP01C | WALL PACK

Project: _____ Type: _____

Name: _____ Date: _____

ORDER FORM:

(*) Special Order/Not Commonly Stocked

Custom Model Assembly

Fixture

SWP01C

CCT

5700K

Wattage Adjustable

150W/180W/200W

Voltage

120-277V

SES-SWP01C-5700-20/18/15
Example Model Number

SES — SWP01C — 5700K — 150W/180W/200W — 120-277V

Quantity

Fixture

CCT

Wattage Adjustable

Voltage

Common Stock Models:

Item #	Model #
11368	SES-SWP01C-5700-20/18/15