

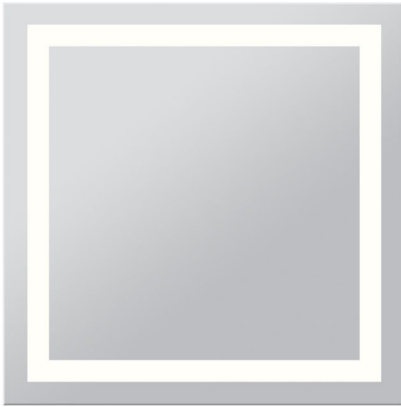


ML02

LED 500K Mirror Light

Project: _____ Type: _____

Name: _____ Date: _____



crystal lens, touch button, customized logo available for special order

OVERVIEW

CCT: 5000K

Applications: Indoor IP44

Efficacy: 158 lm/W

Dimming: Non-Dimming

LED Type: SMD 2835

Lens Type: Frosted

Operating Temp: -40° to 113° F

Operating Humidity: 10%-65% RH

Heater: Anti-Fog

Lifespan: 35,000 Hours

Warranty: 5 Years for Mirror & Frame
2 Years for Electronic Components

FEATURES

- Special options available including: touch button control & logo engraving
- Automatic Defogger
- Copper-Free, Anti-Corrosion
- Touch On / Off
- Sensor or hardwire connection
- Safety-Backed, Anti-Shatter
- Custom Shapes and Sizes
- Frosted or Crystal* Lens
- Natural, Soft Light
- Easy Rotatable Installation
- High Energy Efficiency

*custom order available

| | | | |
|-------------------|----------------|--------|--------|
| Watts | 38W | 43W | 48W |
| Lumens | 5600lm | 6300lm | 7200lm |
| Size | see dimensions | | |
| Voltage | 120V | | |
| Dimming | Touch Dimmer | | |
| Beam Angle | 120° | | |
| CRI | 90 | | |
| PF | N/A | | |

| | |
|------------------|------------------------|
| CCT | 5000K |
| IP Rating | IP44 |
| Materials | Aluminum, Mirror |
| Finish | Mirrored, Silver gray |
| Lens | Frosted Edge, Crystal* |
| Lifespan | 35,000 Hours |

SARIN LED Adjustable CCT Mirror Lights are widely used as a functional decoration for restrooms in residential and commercial spaces. These mirrors can be tailor-made for you with a variety of options, including custom sizing, touch button control, and special logo engraving.

There is a heater behind the glass to prevent fog and a switch in the middle of the mirror. The mounting plate allows you to install vertically or horizontally. Available with a frosted lens, this mirror can switch between four color temperatures. Crystal lens mirrors are available upon special order. These mirrors have an array of customizable options, including touch controls, dimming, logo engraving, and waterproof box.



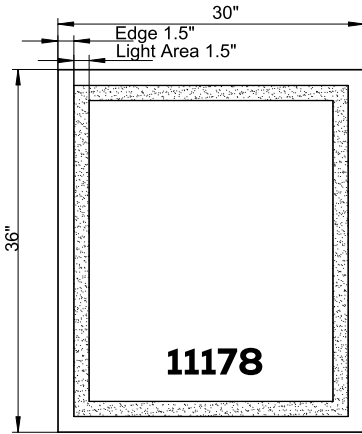


ML02

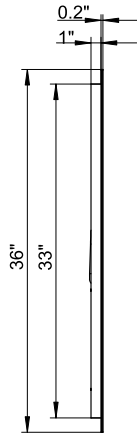
LED 500K Mirror Light

Project: _____ Type: _____

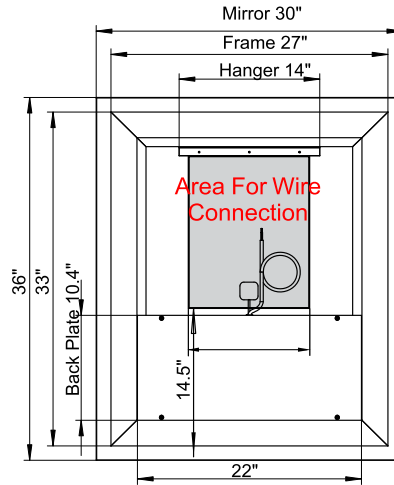
Name: _____ Date: _____



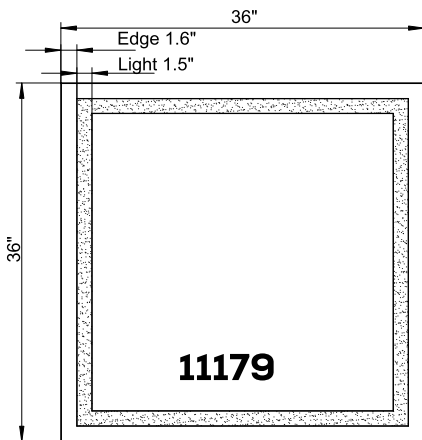
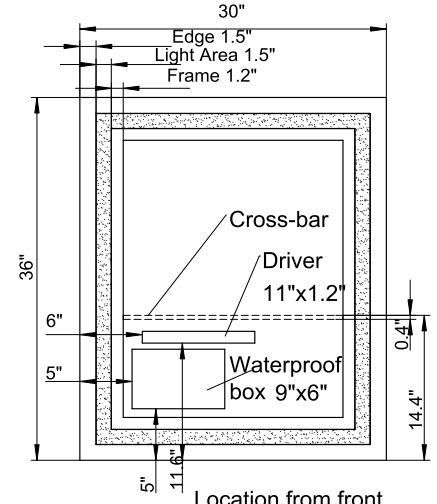
Front Side



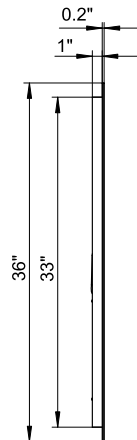
Right Side



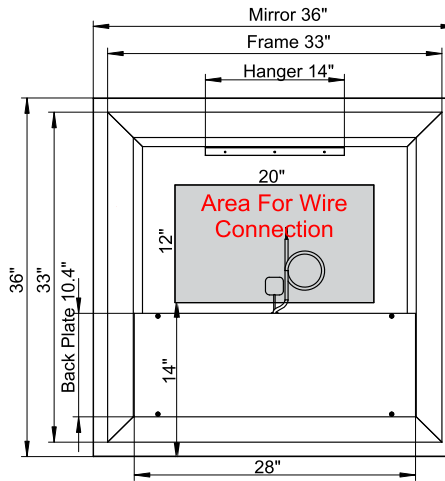
Back Side



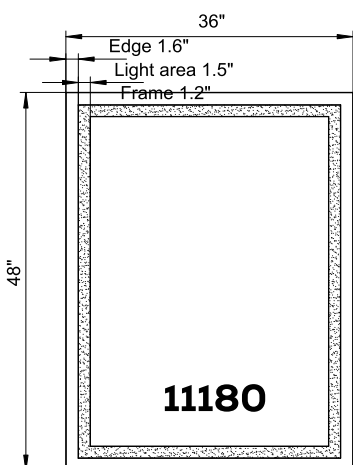
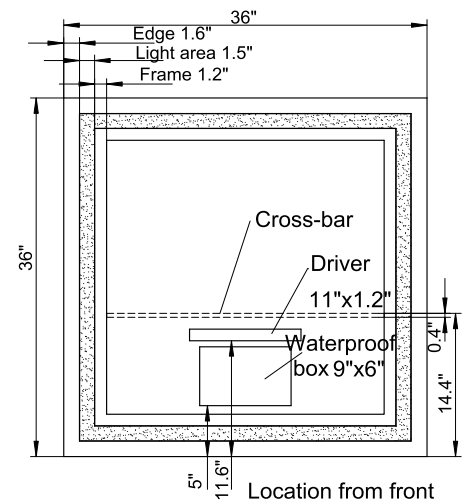
Front Side



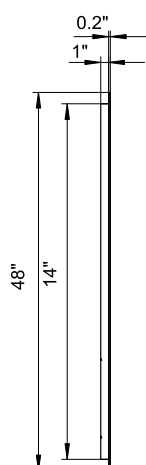
Right Side



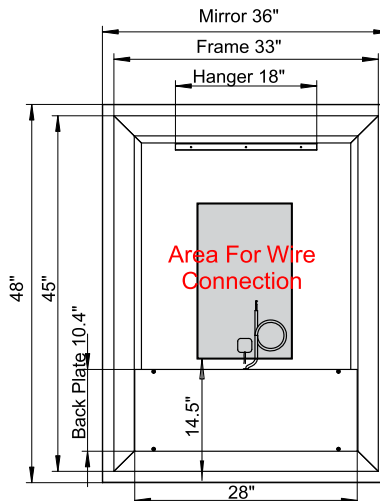
Back Side



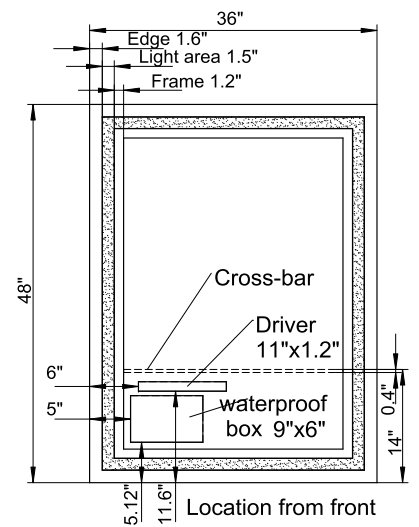
Front Side



Right Side



Back Side





ML02

LED 500K Mirror Light

Project: _____ Type: _____

Name: _____ Date: _____

ORDER FORM:

(*) Special Order/Not Commonly Stocked

Custom Model Assembly

| | Fixture | Size | CCT | Watts | Options |
|--|--|---|---|--|--|
| <u>SES-ML02-3036-5000-38</u> Example Model Number | <input checked="" type="checkbox"/> ML02 | <input type="checkbox"/> 30"x36" <input type="checkbox"/> 36"x36" <input type="checkbox"/> 36"x48" <input type="checkbox"/> Custom | <input checked="" type="checkbox"/> 5000K | <input type="checkbox"/> 38W <input type="checkbox"/> 43W <input type="checkbox"/> 48W | <input type="checkbox"/> Touch Switch <input type="checkbox"/> 0-10V Dimming <input type="checkbox"/> LED Display <input type="checkbox"/> Infrared Sensor <input type="checkbox"/> Bluetooth <input type="checkbox"/> Logo Engraving |

SES — ML02 —

| | | | | | |
|----------|---------|------|-----|-------|---------|
| Quantity | Fixture | Size | CCT | Watts | Options |
|----------|---------|------|-----|-------|---------|

Common Stock Models:

| Item # | Model # |
|--------|-----------------------|
| 11178 | SES-ML02-3036-5000-38 |
| 11179 | SES-ML02-3636-5000-43 |
| 11180 | SES-ML02-3648-5000-48 |

Optional Accessories:

| Item # | Model # |
|--------|-------------------------|
| 11182 | SES-ML02-TOUCH |
| 11183 | SES-ML02-WPBOX |
| 11184 | SES-ML02-LOGO-COOLWHITE |
| 11185 | SES-ML02-LOGO-RED |
| 11186 | SES-ML02-LOGO-BLUE |
| 11187 | SES-ML02-LOGO-GREEN |
| 11188 | SES-ML02-DRIVER-50W |