



WL2027SM

# LED CCT WALL SCONCE

Project: \_\_\_\_\_ Type: \_\_\_\_\_

Name: \_\_\_\_\_ Date: \_\_\_\_\_



<b>Size</b>	4" L x 4" W x 4" D	<b>Lumens</b>	450lm
<b>Watts</b>	10w	<b>CCT</b>	3000K-4000K-6500K
<b>Voltage</b>	100-240V	<b>IP Rating</b>	IP54
<b>Dimming</b>	Non-Dimming	<b>Materials</b>	Aluminum, Glass
<b>Beam Angle</b>	102.5°	<b>Finishes</b>	Bronze, Black
<b>CRI</b>	>80	<b>Lens</b>	Clear
<b>PF</b>	≥ 0.5	<b>Lifespan</b>	30,000 Hours

## OVERVIEW

**CCT:** 3000K-4000K-6500K

**Applications:** IP54

**Efficacy:** 45lm/W

**Dimming:** Non-Dimming

**LED Type:** COB

**Lens Type:** Clear

**Driver:** PNW012451A

**Operating Temp:** -4° to 104° F

**Operating Humidity:** 10%-65% RH

**Lifespan:** 30,000 Hours

**Warranty:** 3 Years

## FEATURES

- Protected from the elements with an IP54 rating making it suitable for wet conditions
- Durable aluminum housing protects from wear and tear



SARIN LED CCT Wall Sconces add functional lighting with a design element to any outdoor area. Constructed from solid aluminum, this contemporary light features a clear crackle glass shade that provides a unique light pattern on surrounding walls when lit. With an IP Rating of IP54, this wall light is highly weather resistant.

This decorative LED wall sconce is ideal for exterior walls on hotels, homes, and offices.

LED Wall Sconces are safe to use in wet locations that come in direct contact with rain and water.



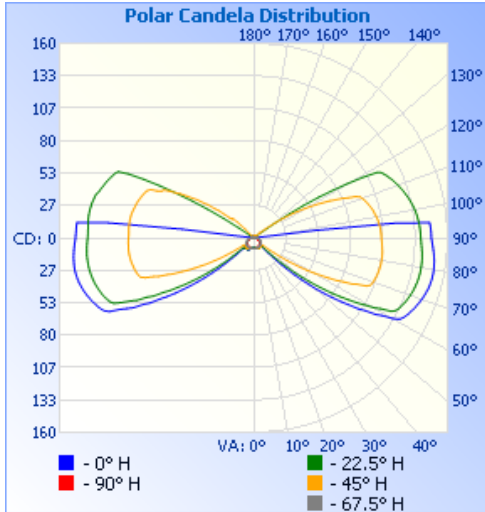
WL2027SM

LED CCT WALL  
SCONCE

Project: \_\_\_\_\_ Type: \_\_\_\_\_

Name: \_\_\_\_\_ Date: \_\_\_\_\_

## PHOTOMETRICS:



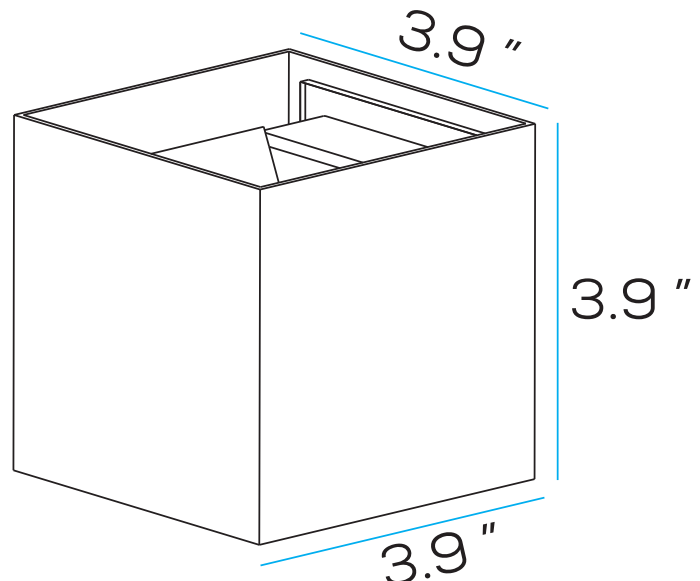
	Center Beam fc	Beam Width	
1.7ft	3.00 fc	1.4 ft	4.1 ft
3.3ft	0.80 fc	2.7 ft	8.0 ft
5.0ft	0.35 fc	4.1 ft	12.1 ft
6.7ft	0.19 fc	5.5 ft	16.2 ft
8.3ft	0.13 fc	6.8 ft	20.0 ft
10.0ft	0.09 fc	8.2 ft	24.1 ft

■ Vert. Spread: 44.5°  
■ Horiz. Spread: 100.7°

## IMPORTANT SAFEGUARDS:

1. Installation, service and maintenance should be performed by a qualified licensed electrician.
2. Make all electrical and grounded connections in accordance with national electrical code and any applicable local code requirements.
3. Disconnect power at fuse or circuit breaker before installing or servicing.
4. Review the diagrams thoroughly before beginning.
5. Do not mount in hazardous locations, or near gas or electric heaters.
6. Do not let power cords touch hot surfaces.
7. Equipment should be mounted in locations where it will not be subjected to tampering by unauthorized personnel.
8. Do not use equipment for other than its intended use.

## DIMENSIONS:





WL2027SM

LED CCT WALL SCONCE

Project: \_\_\_\_\_ Type: \_\_\_\_\_

Name: \_\_\_\_\_ Date: \_\_\_\_\_

ORDER FORM:

(\*) Special Order/Not Commonly Stocked

Custom Model Assembly

Fixture	CCT	Watts	Beam Angle	Voltage
<input checked="" type="checkbox"/> WL2027M	<input checked="" type="checkbox"/> Tunable	<input checked="" type="checkbox"/> 10w	<input checked="" type="checkbox"/> 102.5°	<input checked="" type="checkbox"/> 100-240V

SES-WL2027SM-10-CCT  
Example Model Number

**SES – WL2027M – Tunable – 10W – 102.5° – 100-240V**

Quantity

Fixture

CCT

Watts

Beam Angle

Voltage

Common Stock Models:

Item #	Model #
11153	SES-WL2027SM-10-CCT
11287	SES-WL2027SM-10-CCT-BK