

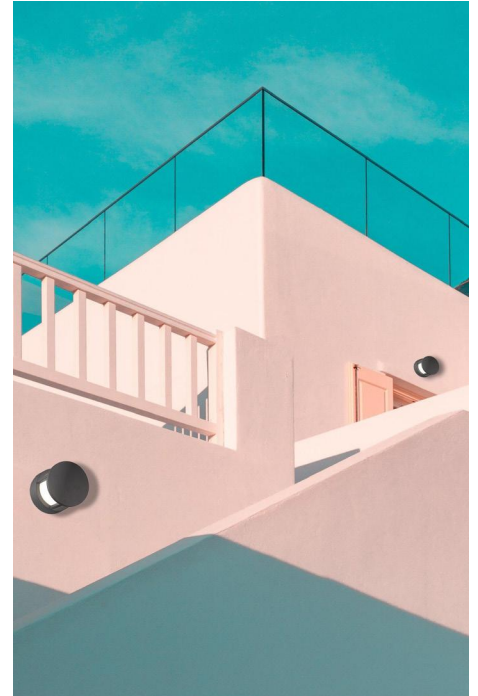


WL2013R

LED CCT WALL SCONCE

Project: _____ Type: _____

Name: _____ Date: _____



Size	4.3" L x 4.3" W x 4.1" D	Lumens	260lm
Watts	7W	CCT Tunable	3000K-4000K-5500K
Voltage	100-240V	IP Rating	IP54
Dimming	Non-Dimming	Materials	Aluminum, PC
Beam Angle	135.7°	Finish	Light Gray
CRI	>80	Lens	Clear
PF	≥ 0.5	Lifespan	30,000 Hours

OVERVIEW

CCT Tunable: 3000K-4000K-5500K

Applications: IP54

Efficacy: 65-75 lm/W

Dimming: Non-Dimming

LED Type: SMD2835

Lens Type: Clear

Driver: SD-PNW006301A

Operating Temp: -4° to 104° F

Operating Humidity: 10%-65% RH

Lifespan: 30,000 Hours

Warranty: 3 Years

SARIN LED CCT Wall Sconces add functional lighting with a design element to any outdoor area. Constructed from solid aluminum, this contemporary light features a clear crackle glass shade that provides a unique light pattern on surrounding walls when lit. With an IP Rating of IP54, this wall light is highly weather resistant.

This decorative LED wall sconce is ideal for exterior walls on hotels, homes, and offices.

LED Wall Sconces are safe to use in wet locations that come in direct contact with rain and water.

FEATURES

- Protected from the elements with an IP54 rating making it suitable for wet conditions
- Durable aluminum housing protects from wear and tear





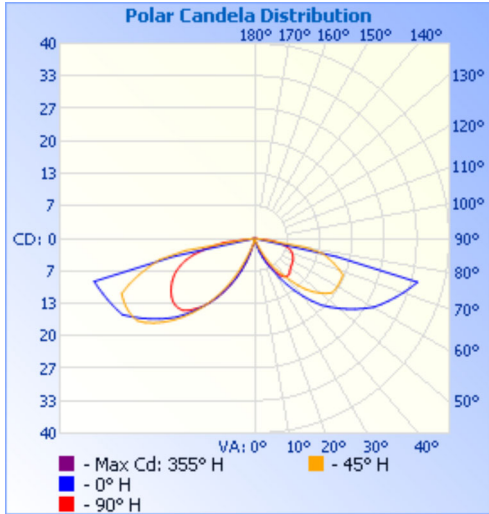
WL2013R

LED CCT WALL SCENCE

Project: _____ Type: _____

Name: _____ Date: _____

PHOTOMETRICS:



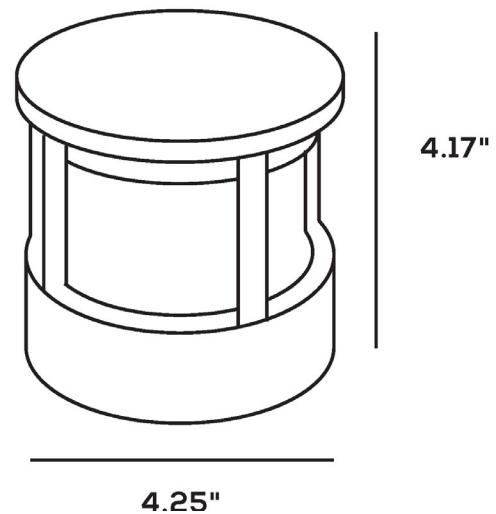
	Illuminance at a Distance		
	Center Beam fc	Beam Width	
1.7ft	0.15 fc	1.1 ft	2.6 ft
3.3ft	0.04 fc	2.1 ft	5.1 ft
5.0ft	0.02 fc	3.1 ft	7.7 ft
6.7ft	0.01 fc	4.2 ft	10.4 ft
8.3ft	0.01 fc	5.2 ft	12.8 ft
10.0ft	0.00 fc	6.3 ft	15.5 ft

■ Vert. Spread: 35.0°
■ Horiz. Spread: 75.4°

IMPORTANT SAFEGUARDS:

1. Installation, service and maintenance should be performed by a qualified licensed electrician.
2. Make all electrical and grounded connections in accordance with national electrical code and any applicable local code requirements.
3. Disconnect power at fuse or circuit breaker before installing or servicing.
4. Review the diagrams thoroughly before beginning.
5. Do not mount in hazardous locations, or near gas or electric heaters.
6. Do not let power cords touch hot surfaces.
7. Equipment should be mounted in locations where it will not be subjected to tampering by unauthorized personnel.
8. Do not use equipment for other than its intended use.

DIMENSIONS:





WL2013R

LED CCT WALL SCENCE

Project: _____ Type: _____

Name: _____ Date: _____

ORDER FORM:

(*) Special Order/Not Commonly Stocked

Custom Model Assembly

Fixture

CCT

Watts

Beam Angle

Voltage

WL2013R

Tunable

7W

135.7°

100-240V

SES-WL2013R-7-CCT
Example Model Number

SES – WL2013S – Tunable – 7W – 135.7° – 100-240V

Quantity

Fixture

CCT

Watts

Beam Angle

Voltage

Common Stock Models:

Item #	Model #
11159	SES-WL2013R-7-CCT