



WL2012R | LED CCT OUTDOOR WALL SCONCE

Project: _____ Type: _____

Name: _____ Date: _____



Size	4.3" x 4.3" x 4.1"	Lumens	350lm
Watts	7W	CCT	3000K-4000K-5000K
Voltage	120V	IP Rating	IP54
Dimming	Non-Dimming	Materials	Aluminum, PC
Beam Angle	143.9°	Finish	Dark Grey
CRI	>80	Lens	Frosted
PF	≥0.5	Lifespan	30,000 Hours

OVERVIEW

Tunable: 3000K-4000K-5000K

Applications: Outdoor IP54

Efficacy: 50lm/W

Dimming: Non-Dimming

LED Type: SMD

Lens Type: 2835

Driver: SD-PNW006301A

Operating Temp: -4° to 113° F

Lifespan: 30,000 Hours

Warranty: 3 Years

FEATURES

- Includes a CCT Tunable switch – easily select among three color temperatures
- Protected from the elements with an IP54 rating, making it suitable for rainy environments
- Powder Coated Grey finish looks great in any location
- Frosted lens protects the eyes from glare while adding a warm, rich light

Accessories

- Setscrew
- Screws
- Rubber gasket

SARIN LED Decorative Outdoor Wall Sconces add functional lighting with a design element to any outdoor area. Constructed from solid aluminum, this fixture boasts a clean, straight-lined look with a dark grey finish square frame and features a CCT tunable switch.

This decorative LED wall sconce is ideal for exterior walls on hotels, homes, and offices.

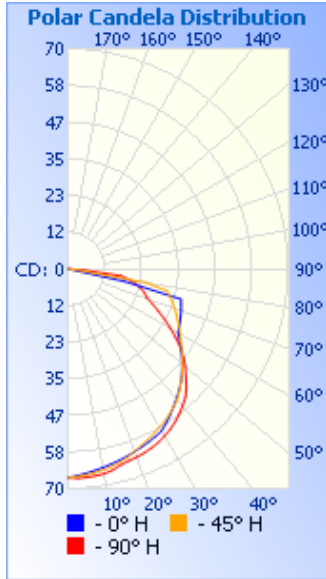
LED Wall Sconces are safe to use in wet locations that come in direct contact with rain and water. This light has a switch to change between three color temperatures.





PHOTOMETRICS:

X° Beam Angle: (Polar Candela Dist.)



Light Distance: (Illuminance at a Distance)

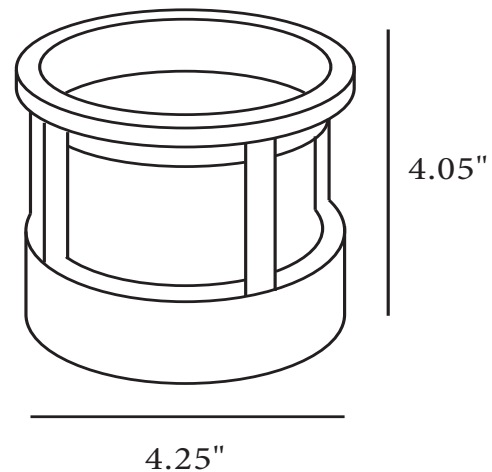
Distance	Illuminance at a Distance	
	Center Beam fc	Beam Width
2.5ft	10.6 fc	19.2 ft 10.8 ft
5.0ft	2.65 fc	38.5 ft 21.6 ft
7.5ft	1.18 fc	57.7 ft 32.5 ft
10.0ft	0.66 fc	77.0 ft 43.3 ft
12.5ft	0.42 fc	96.2 ft 54.1 ft
15.0ft	0.29 fc	115.4 ft 64.9 ft

■ Vert. Spread: 150.9°
■ Horiz. Spread: 130.4°

IMPORTANT SAFEGUARDS:

1. Installation, service and maintenance should be performed by a qualified licensed electrician.
2. Make all electrical and grounded connections in accordance with national electrical code and any applicable local code requirements.
3. Disconnect power at fuse or circuit breaker before installing or servicing.
4. Review the diagrams thoroughly before beginning.
5. Do not mount in hazardous locations, or near gas or electric heaters.
6. Do not let power cords touch hot surfaces.
7. Equipment should be mounted in locations where it will not be subjected to tampering by unauthorized personnel.
8. Do not use equipment for other than its intended use.

DIMENSIONS:





WL2012R | LED CCT OUTDOOR WALL SCONCE

Project: _____ Type: _____

Name: _____ Date: _____

ORDER FORM:

(*) Special Order/Not Commonly Stocked

Custom Model Assembly

Fixture	CCT	Watts	Beam Angle	Voltage
<input checked="" type="checkbox"/> WL2012R	<input type="checkbox"/> Tunable	<input checked="" type="checkbox"/> 7W	<input checked="" type="checkbox"/> 143.9°	<input checked="" type="checkbox"/> 120V

SES-WL2012R-7-CCT
Example Model Number

	SES	-	Tunable	-	7W	-	143.9°	-	100-240
Quantity	Fixture		CCT		Watts		Beam Angle		Voltage

Common Stock Models:

Item #	Model #
11157	SES-WL2012R-7-CCT