

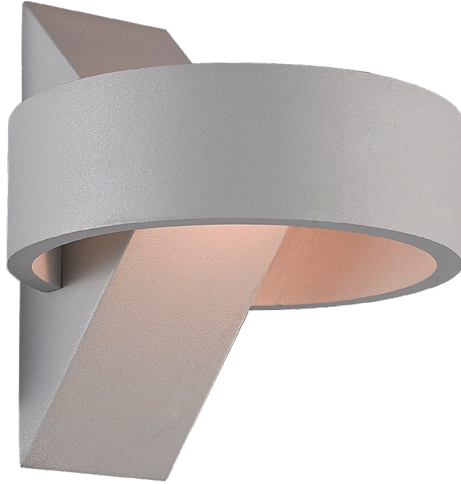


# WL2551

## LED CCT WALL SCENCE

Project: \_\_\_\_\_ Type: \_\_\_\_\_

Name: \_\_\_\_\_ Date: \_\_\_\_\_



<b>Size</b>	4.7" L x 5.1" W x 5.3" D	<b>Lumens</b>	280lm
<b>Watts</b>	6.5W	<b>CCT Tunable</b>	3000K-4000K-6500K
<b>Voltage</b>	100-240V	<b>IP Rating</b>	IP54
<b>Dimming</b>	Non-Dimming	<b>Materials</b>	Aluminum, PC
<b>Beam Angle</b>	187.5°	<b>Finish</b>	Light Gray
<b>CRI</b>	>80	<b>Lens</b>	Clear
<b>PF</b>	≥ 0.5	<b>Lifespan</b>	30,000 Hours

### OVERVIEW

**CCT Tunable:** 3000K-4000K-6500K

**Applications:** IP54

**Efficacy:** 65-75 lm/W

**Dimming:** Non-Dimming

**LED Type:** SMD2835

**Lens Type:** Clear

**Driver:** SD-PNW006301A

**Operating Temp:** -4° to 104° F

**Operating Humidity:** 10%-65% RH

**Lifespan:** 30,000 Hours

**Warranty:** 3 Years

### FEATURES

- Protected from the elements with an IP54 rating making it suitable for wet conditions
- Durable aluminum housing protects from wear and tear



SARIN LED CCT Wall Sconces add functional lighting with a design element to any outdoor area. Constructed from solid aluminum, this contemporary light features a clear crackle glass shade that provides a unique light pattern on surrounding walls when lit. With an IP Rating of IP54, this wall light is highly weather resistant.

This decorative LED wall sconce is ideal for exterior walls on hotels, homes, and offices.

LED Wall Sconces are safe to use in wet locations that come in direct contact with rain and water.



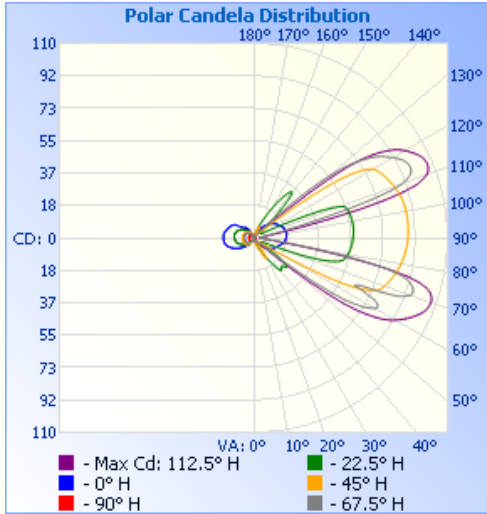
WL2551

LED CCT WALL SCNCE

Project: \_\_\_\_\_ Type: \_\_\_\_\_

Name: \_\_\_\_\_ Date: \_\_\_\_\_

### PHOTOMETRICS:

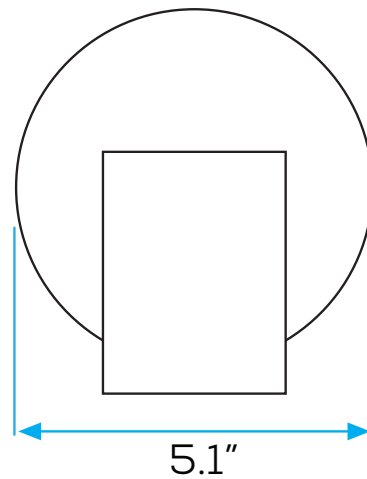
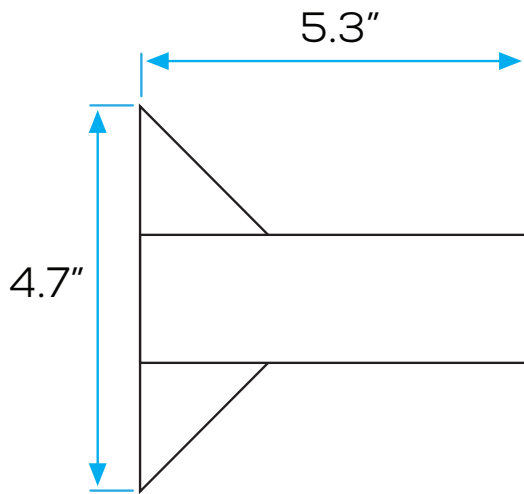


**Illuminance at a Distance**

	Center Beam fc	Beam Width	
1.7ft	0.11 fc	1.5 ft	0.9 ft
3.3ft	0.03 fc	2.8 ft	1.7 ft
5.0ft	0.01 fc	4.3 ft	2.6 ft
6.7ft	0.01 fc	5.8 ft	3.5 ft
8.3ft	0.00 fc	7.1 ft	4.4 ft
10.0ft	0.00 fc	8.6 ft	5.3 ft

■ Vert. Spread: 46.5°  
■ Horiz. Spread: 29.7°

### DIMENSIONS:





WL2551

LED CCT WALL  
SCONCE

Project: \_\_\_\_\_ Type: \_\_\_\_\_

Name: \_\_\_\_\_ Date: \_\_\_\_\_

**ORDER FORM:**

(\*) Special Order/Not Commonly Stocked

Custom Model Assembly

Fixture	CCT	Watts	Beam Angle	Voltage
<input checked="" type="checkbox"/> WL2551	<input checked="" type="checkbox"/> Tunable	<input checked="" type="checkbox"/> 6.5W	<input checked="" type="checkbox"/> 187.5°	<input checked="" type="checkbox"/> 100-240V

SES-WL2551-6.5-CCT  
Example Model Number

**SES – WL2551 – Tunable – 6.5W – 187.5° – 100-240V**

Quantity

Fixture

CCT

Watts

Beam Angle

Voltage

**Common Stock Models:**

Item #	Model #
11150	SES-WL2551-6.5-CCT