

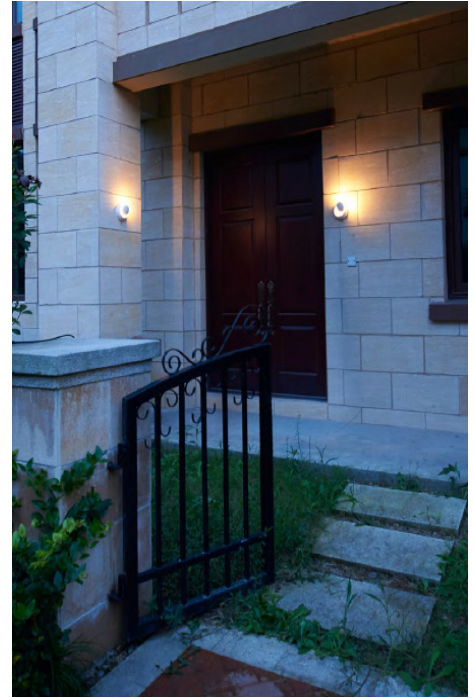


WL2501

LED CCT WALL SCONCE

Project: _____ Type: _____

Name: _____ Date: _____



Size	5.5" L x 5.5" W x 2.6" D
Watts	6W
Voltage	100-240V
Dimming	Non-Dimming
Beam Angle	166.7°
CRI	>80
PF	≥ 0.5

Lumens	130lm
CCT Tunable	3000K-4000K-5000K
IP Rating	IP54
Materials	Aluminum, PC
Finish	Dark Brown
Lens	Clear
Lifespan	30,000 Hours

OVERVIEW

CCT Tunable: 3000K-4000K-5000K

Applications: IP54

Efficacy: 22lm/W

Dimming: Non-Dimming

LED Type: SMD2835

Lens Type: Clear

Driver: SD-PNW006301A

Operating Temp: -4° to 104° F

Operating Humidity: 10%-65% RH

Lifespan: 30,000 Hours

Warranty: 3 Years

SARIN LED CCT Wall Sconces add functional lighting with a design element to any outdoor area. With an IP Rating of IP54, this wall light is highly weather resistant.

This decorative LED wall sconce is ideal for exterior walls on hotels, homes, and offices.

LED Wall Sconces are safe to use in wet locations that come in direct contact with rain and water.

FEATURES

- Protected from the elements with an IP54 rating making it suitable for wet conditions
- Durable aluminum housing protects from wear and tear





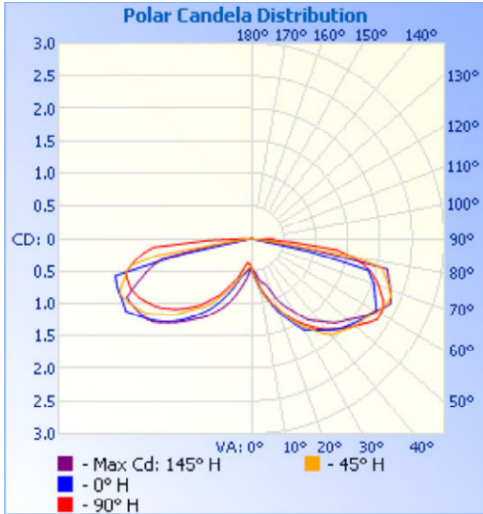
WL2501

LED CCT WALL SCNCE

Project: _____ Type: _____

Name: _____ Date: _____

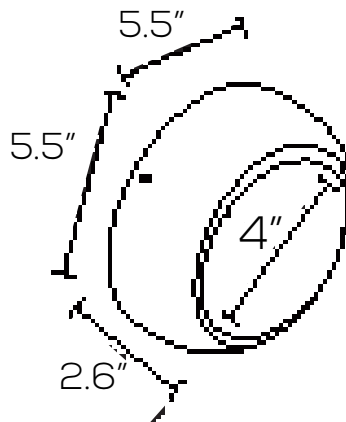
PHOTOMETRICS:



	Center Beam fc	Beam Width	
2.5ft	0.07 fc	21.9 ft	35.3 ft
5.0ft	0.02 fc	43.8 ft	70.7 ft
7.5ft	0.01 fc	65.8 ft	106.0 ft
10.0ft	0.00 fc	87.7 ft	141.3 ft
12.5ft	0.00 fc	109.6 ft	176.6 ft
15.0ft	0.00 fc	131.5 ft	212.0 ft

■ Vert. Spread: 154.3°
■ Horiz. Spread: 163.9°

DIMENSIONS:





WL2501

LED CCT WALL
SCONCE

Project: _____ Type: _____

Name: _____ Date: _____

ORDER FORM:

(*) Special Order/Not Commonly Stocked

Custom Model Assembly

Fixture

CCT

Watts

Beam Angle

Voltage

WL2501

Tunable

6W

166.7°

100-240V

SES-WL2501-CCT-6W
Example Model Number

SES – WL2501 – Tunable – CCT – 167° – 100-240V

Quantity

Fixture

CCT

Watts

Beam Angle

Voltage

Common Stock Models:

Item #	Model #
11155	SES-WL2534S-7-CCT
11154	SES-WL2534L-10-CCT