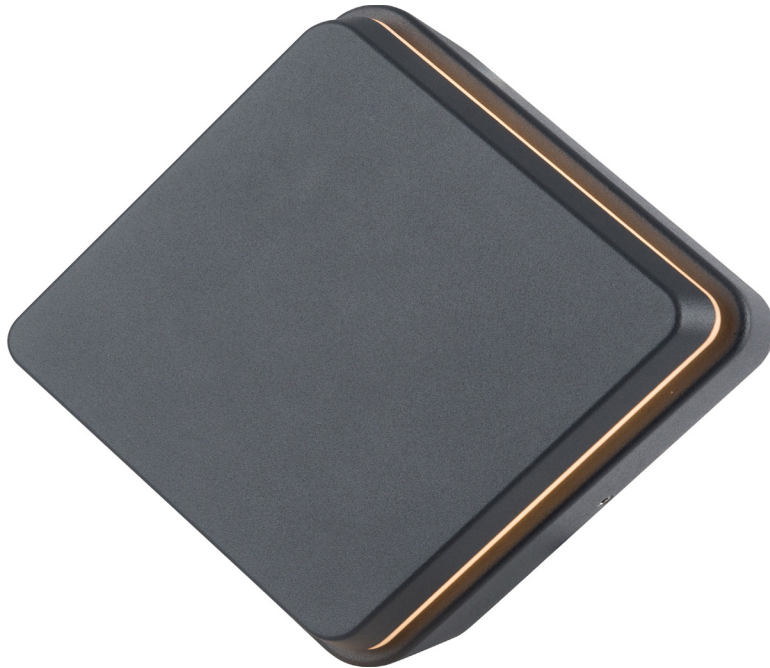




WL5031 | CCT WALL LIGHT

Project: _____ Type: _____

Name: _____ Date: _____



Size	5.5" x 5.5" x 1.9"	Lumens	700lm
Watts	12.5W	CCT	3000K/4000K/5000K
Voltage	110-240VAC	IP Rating	IP54
Dimming	N/A	Materials	Aluminum, PMMA
Beam Angle	110°	Finish	Black
CRI	80	Lens	Abrazine
PF	0.8	Lifespan	30000 Hours

OVERVIEW

Tunable: 3000K/4000K/5000K

Applications: Indoor Outdoor (IP54)

Efficacy: 50-60lm/W

Dimming: N/A

LED Type: EVERLIGHT 2835

Lens Type: PMMA

Driver: KEGU

Operating Temp: -4° to 104°

Operating Humidity: 10%-65% RH

Lifespan: 30000 Hours

Warranty: 3

SARIN LED CCT Wall Lights add functional lighting with a design element to any outdoor area. Constructed from solid aluminum and with a PMMA lens, this light is both elegant and durable. With an IP Rating of IP54, this wall light is highly weather resistant.

This decorative LED wall sconce is ideal for exterior walls on hotels, homes, and offices.

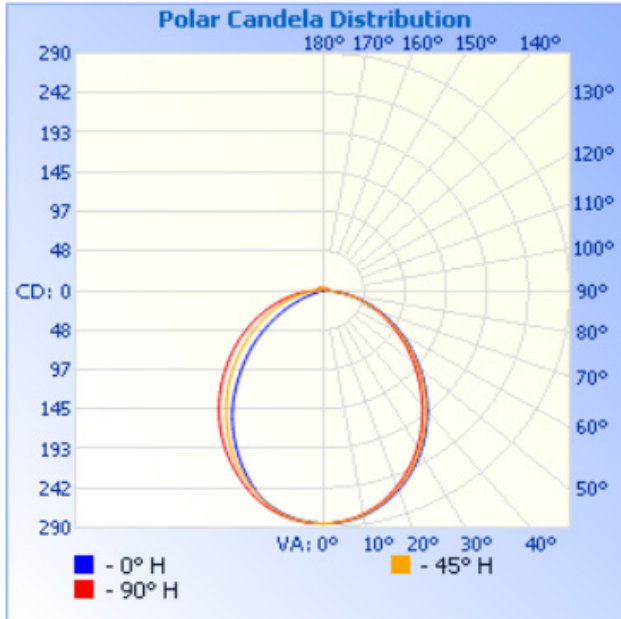
LED Wall Sconces are safe to use in wet locations that come in direct contact with rain and water.



PHOTOMETRICS:

X° Beam Angle: (Polar Candela Dist.)

Light Distance: (Illuminance at a Distance)



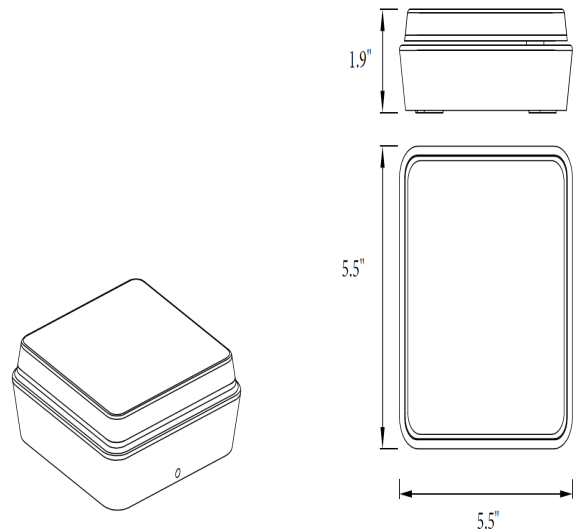
	Center Beam fc	Beam Width	
2.7ft	39.0 fc	5.9 ft	6.6 ft
5.3ft	10.1 fc	11.6 ft	12.9 ft
8.0ft	4.44 fc	17.5 ft	19.5 ft
10.7ft	2.48 fc	23.4 ft	26.1 ft
13.3ft	1.61 fc	29.1 ft	32.4 ft
16.0ft	1.11 fc	35.0 ft	39.0 ft

■ Vert. Spread: 95.1°
■ Horiz. Spread: 101.2°

IMPORTANT SAFEGUARDS:

DIMENSIONS:

1. Installation, service and maintenance should be performed by a qualified licensed electrician.
2. Make all electrical and grounded connections in accordance with national electrical code and any applicable local code requirements.
3. Disconnect power at fuse or circuit breaker before installing or servicing.
4. Review the diagrams thoroughly before beginning.
5. Do not mount in hazardous locations, or near gas or electric heaters.
6. Do not let power cords touch hot surfaces.
7. Equipment should be mounted in locations where it will not be subjected to tampering by unauthorized personnel.
8. Do not use equipment for other than its intended use.





WL5031 CCT WALL LIGHT

Project: _____ Type: _____

Name: _____ Date: _____

ORDER FORM:

(*) Special Order/Not Commonly Stocked

Custom Model Assembly

	Fixture	CCT	Watts	Beam Angle	Voltage	
<u>SES-WL5031-CCT-12.5</u> Example Model Number	<input checked="" type="checkbox"/> WL5031	<input checked="" type="checkbox"/> 3000K	<input checked="" type="checkbox"/> 12.5W	<input checked="" type="checkbox"/> 120°	<input checked="" type="checkbox"/> 120V	
		<input checked="" type="checkbox"/> 4000K				
		<input checked="" type="checkbox"/> 5000K				
<hr/>	SES	WL5031	CCT	15W	120°	120V
Quantity	Fixture	CCT	Watts	Beam Angle	Voltage	

Common Stock Models:

Item #	Model #
14015	SES-WL5031-CCT-12.5