



# WL3511 | OUTDOOR WALL LAMP

Project: \_\_\_\_\_ Type: \_\_\_\_\_

Name: \_\_\_\_\_ Date: \_\_\_\_\_



<b>Size</b>	14.8"L x 6.7"W x 7.5"D	<b>Lumens</b>	Bulb Dependent
<b>Watts</b>	Bulb Dependent	<b>CCT</b>	Bulb Dependent
<b>Voltage</b>	110-120	<b>IP Rating</b>	IP44
<b>Dimming</b>	No	<b>Materials</b>	Iron, Glass
<b>Beam Angle</b>	N/A	<b>Finish</b>	Bronze, Clear
<b>CRI</b>	Bulb Dependent	<b>Lens</b>	Bulb Dependent
<b>PF</b>	Bulb Dependent	<b>Lifespan</b>	25000

## OVERVIEW

- Tunable:** Bulb Dependent
- Applications:** Outdoor (IP44)
- Efficacy:** Bulb Dependent
- Dimming:** N/A
- LED Type:** Bulb Dependent
- Lens Type:** N/A
- Driver:** None required
- Operating Temp:**
- Operating Humidity:**
- Lifespan:** 25000
- Warranty:** 3

LED Wall Lamps add a touch of elegance to the aesthetics of any room. These lights are safe to use in damp locations that rarely have direct water contact, such as bathrooms and awnings. LED Outdoor Wall Lamps are perfect for hotels, homes, and offices. Replacement bulbs are available.



# WL3511 | OUTDOOR WALL LAMP

Project: \_\_\_\_\_ Type: \_\_\_\_\_

Name: \_\_\_\_\_ Date: \_\_\_\_\_

## ORDER FORM:

(\*) Special Order/Not Commonly Stocked

Custom Model Assembly

Fixture	Bulb	Watts	Beam Angle	Voltage
<input checked="" type="checkbox"/> WL3511	<input checked="" type="checkbox"/> E26	<input checked="" type="checkbox"/> E26	<input checked="" type="checkbox"/> E26	<input checked="" type="checkbox"/> 120V

SES-WL3511-E26-BRONZE  
Example Model Number

**SES – WL3511 – E26 – E26 – E26 – 120V**

Quantity

Fixture

CCT

Watts

Beam Angle

Voltage

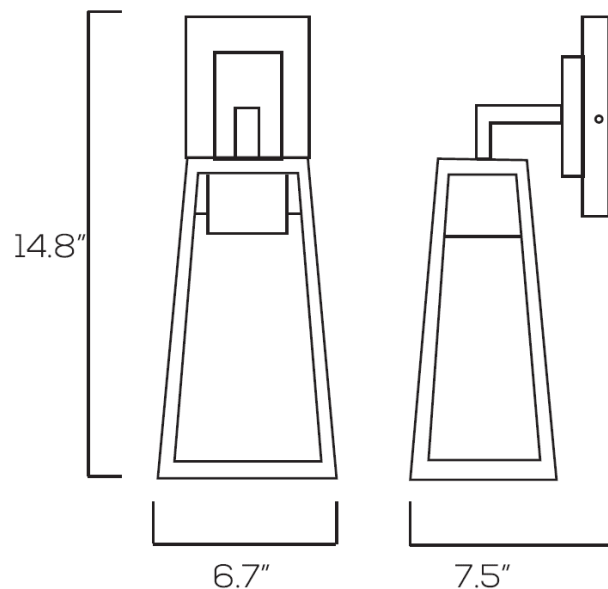
### Common Stock Models:

Item #	Model #
10788	SES-WL3511-E26-BRONZE
40788-A	SES-WL3511-BULB

### IMPORTANT SAFEGUARDS:

1. Installation, service and maintenance should be performed by a qualified licensed electrician.
2. Make all electrical and grounded connections in accordance with national electrical code and any applicable local code requirements.
3. Disconnect power at fuse or circuit breaker before installing or servicing.
4. Review the diagrams thoroughly before beginning.
5. Do not mount in hazardous locations, or near gas or electric heaters.
6. Do not let power cords touch hot surfaces.
7. Equipment should be mounted in locations where it will not be subjected to tampering by unauthorized personnel.
8. Do not use equipment for other than its intended use.

### DIMENSIONS:





# WL3511 | OUTDOOR WALL LAMP

Project: \_\_\_\_\_ Type: \_\_\_\_\_

Name: \_\_\_\_\_ Date: \_\_\_\_\_

## ORDER FORM:

(\*) Special Order/Not Commonly Stocked

Custom Model Assembly

	Fixture	CCT	Watts	Beam Angle	Voltage			
<u>SES-WL3511-E26-BRONZE</u> Example Model Number	<input checked="" type="checkbox"/>	<input type="checkbox"/> 3000K <input type="checkbox"/> 5000K	<input checked="" type="checkbox"/> 15W	<input checked="" type="checkbox"/> 120°	<input type="checkbox"/> 120V			
<hr/>	<b>SES</b>	—	—	<b>15W</b>	—	<b>120°</b>	—	<b>120V</b>
<b>Quantity</b>	Fixture	CCT	Watts	Beam Angle	Voltage			

### Common Stock Models:

Item #	Model #
10788	SES-WL3511-E26-BRONZE