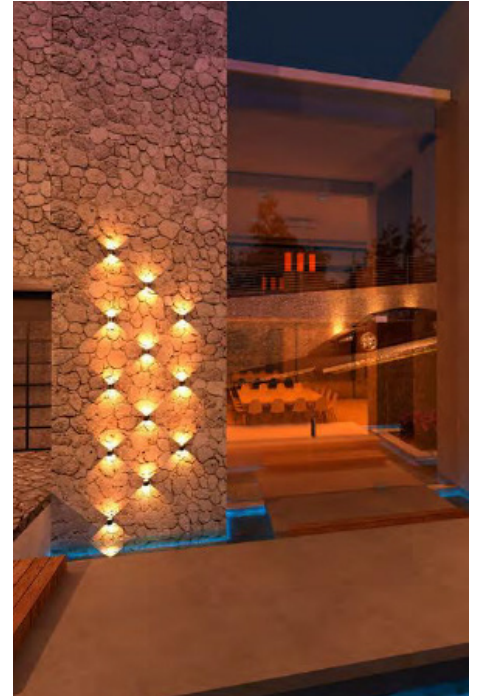
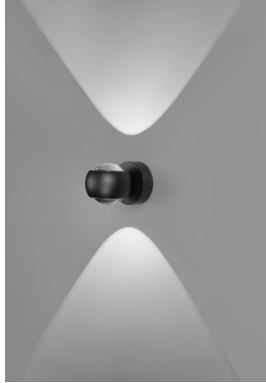




WL13171 | CCT WALL LIGHT

Project: _____ Type: _____

Name: _____ Date: _____



Size	5.2" W x 3.9" L x 3.9" D
Watts	5W*2
Voltage	AC120V
Dimming	N/A
Beam Angle	N/A
CRI	80
PF	.4

Lumens	440-500lm
CCT	3000K, 4000K, 6500K
IP Rating	IP54
Materials	Aluminum, Glass
Finish	Black
Lens	Clear
Lifespan	25,000 Hours

OVERVIEW

CCT: Tunable

Applications: Outdoor (Wet Rated)

Efficacy: 44-55lm/W

Dimming: Non-dimming

LED Type: COB (4W)

Lens Type: Clear

Driver: SD-PNW012301A

Operating Temp: -4° to 104°

Operating Humidity: 10%-65% RH

Lifespan: 25,000 Hours

Warranty: 3 Years

LED Decorative Outdoor Wall Sconces add functional lighting with a design element to any outdoor area.

These lights are safe to use in wet locations that come in direct contact with rain and water. LED Wall Sconces are perfect for any exterior wall on hotels, homes, and offices.

FEATURES

- Three CCT options



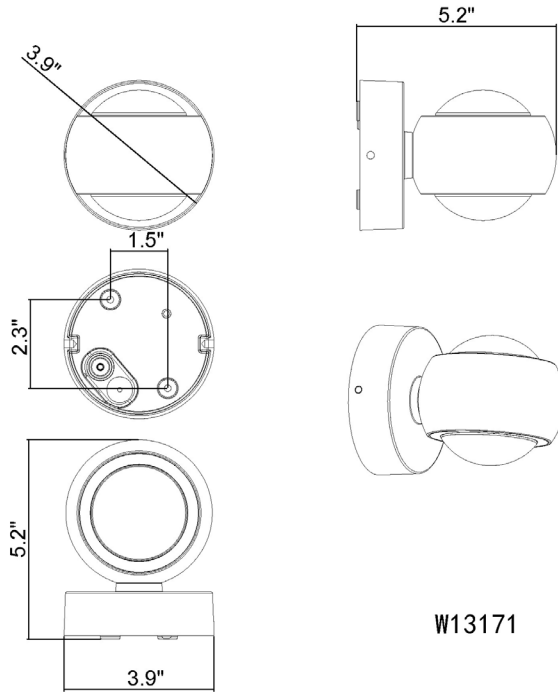


WL13171 CCT WALL LIGHT

Project: _____ Type: _____

Name: _____ Date: _____

DIMENSIONS:



IMPORTANT SAFEGUARDS:

1. Installation, service and maintenance should be performed by a qualified licensed electrician.
2. Make all electrical and grounded connections in accordance with national electrical code and any applicable local code requirements.
3. Disconnect power at fuse or circuit breaker before installing or servicing.
4. Review the diagrams thoroughly before beginning.
5. Do not mount in hazardous locations, or near gas or electric heaters.
6. Do not let power cords touch hot surfaces.
7. Equipment should be mounted in locations where it will not be subjected to tampering by unauthorized personnel.
8. Do not use equipment for other than its intended use.



WL13171 | CCT WALL LIGHT

Project: _____ Type: _____

Name: _____ Date: _____

ORDER FORM:

(*) Special Order/Not Commonly Stocked

Custom Model Assembly

Fixture	CCT	Watts	Beam Angle	Voltage
<input checked="" type="checkbox"/> WL13171	<input checked="" type="checkbox"/> CCT	<input checked="" type="checkbox"/> 10W	<input checked="" type="checkbox"/> N/A	<input checked="" type="checkbox"/> 120V

SES-WL13171-CCT-10
Example Model Number

SES – WL13171 – CCT – 10W – N/A – 120V

Quantity

Fixture

CCT

Watts

Beam Angle

Voltage

Common Stock Models:

Item #	Model #
11388	SES-WL13171-CCT-10