




TECHNICAL SPECIFICATIONS

Watts	15W + 23W + 30W		
Lumens	± 1,200 / ± 1,840 / ± 2,400		
Size	7.7" (L) x 7.7" (W) x 5.9" (D)	 CCT	3000K + 4000K + 5000K
Voltage	AC100-277V (50/60Hz)	IP Rating	IP20 (Dust Resistant)
Dimming	0-10V	Materials	Aluminum, PC
Beam Angle	70°	Finish	Silver Body, White Trim
CRI	≥90	Lens	Frosted
PF	>0.9	Lifespan	50,000 hours

SARIN's LED Commercial CCT Downlights are commonly used in spaces with high ceilings like hotels, shopping centers, and offices. These ceiling lights are safe for indoor use.

Extremely easy to install, this powerful recessed downlight is equipped with a quick-connect case and conduit to integrate with an existing fixture frame junction box. Set your color temperature between warm white, daylight, and cool white. This light dimmable to 5% and you can switch between three wattage settings to control your energy consumption. Get comfortable diffused light with no hot spots or dark areas.

OVERVIEW

Tunable: Adjustable CCT & Watts

Applications: Dry Areas (IP20)

Efficacy: 80 lm/W

Dimming: 0-10V

LED Type: Lumileds 2835

Driver: ESPEN

Operating Temp: -40° to 113° F

Operating Humidity: 10%-90% RH

Lifespan: 50,000 hours

Warranty: 5 years

FEATURES

- High color rendering index means objects look more vibrant and have true colors
- Optional emergency driver
- Evenly diffused light with no hotspots or shadows
- Pre-wired conduit with quick connector for easy installation
- Spring tension mount clips
- Non-IC rated
- Instant illumination activation



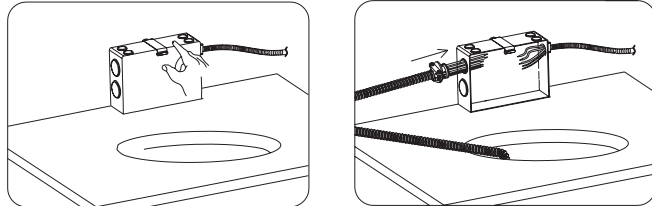
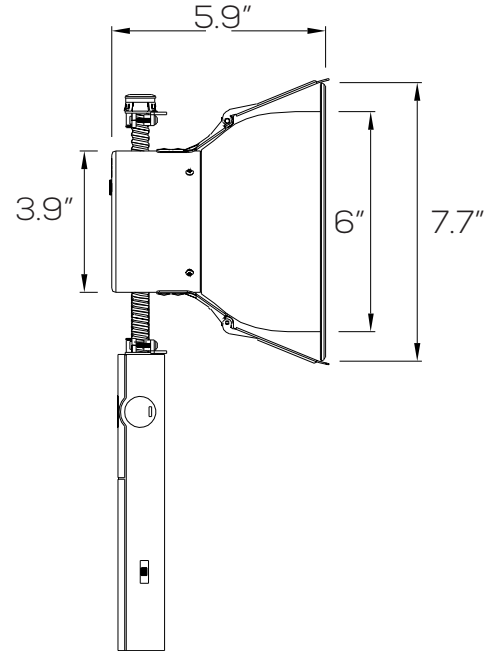


INSTALLATION

Warning:

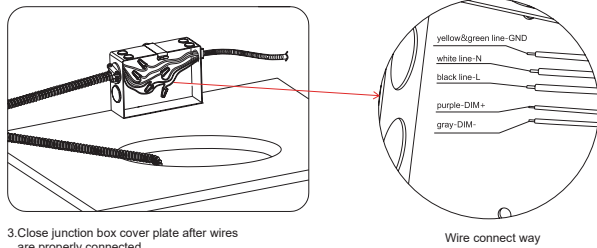
1. Risk of fire or electric shock. LED retrofit kit installation requires knowledge of lighting electrical systems. If not qualified contact a certified electrician for installation.
2. Install this kit only in luminaires that have the construction features and dimensions shown in the drawings and where the input rating of the retrofit kit does not exceed the voltage rating of the luminaire.
3. Do not make or alter any open holes in an enclosure of wiring or electrical components during kit installation.
4. To prevent damage or abrasion to the wires, do not expose wiring to edges of sheet metal or other sharp objects.
5. This luminaire has been modified to operate LED lamps. Do not attempt to install fluorescent lamps in this light.

DIMENSIONS



1. Open junction box cover plate.

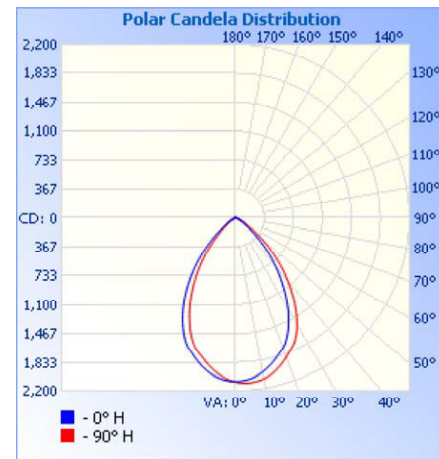
2. Put driver cable into junction box.



3. Close junction box cover plate after wires are properly connected.

Wire connect way

ISOLUX DIAGRAM



	Illuminance at a Distance		
	Center Beam fc	Beam Width	
17.0ft	7.20 fc	24.1 ft	24.0 ft
34.0ft	1.80 fc	48.1 ft	48.0 ft
51.0ft	0.80 fc	72.2 ft	72.1 ft
68.0ft	0.45 fc	96.3 ft	96.1 ft
85.0ft	0.29 fc	120.4 ft	120.1 ft
102.0ft	0.20 fc	144.4 ft	144.1 ft

■ Vert. Spread: 70.6°
■ Horiz. Spread: 70.5°

COMMON STOCK MODELS

Item Code	Model Number
10190	SES-CDL6-CCT-30
10191	SES-CDL8-CCT-50