

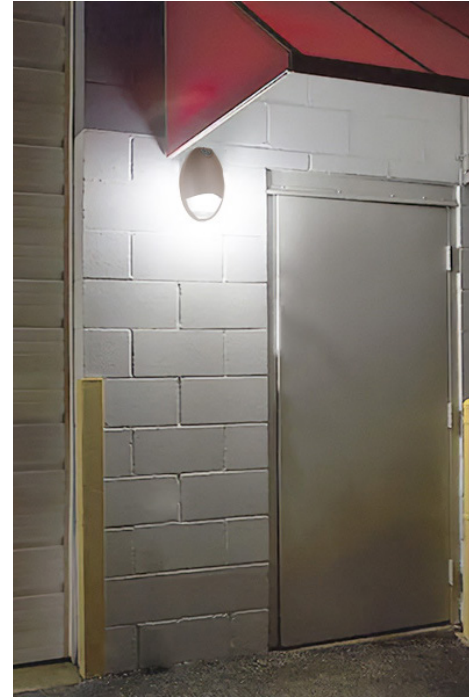


MWP06

EMERGENCY WALL LAMP

Project: _____ Type: _____

Name: _____ Date: _____



Size	6.3" W x 10.4" H x 3.9" D	Lumens	1,714-1,823lm
Watts	15W	CCT	5700K
Voltage	120-277V	IP Rating	IP65
Dimming	0-10V	Materials	Aluminum, Polycarbonate Lens
Beam Angle	100°	Finish	Bronze
CRI	>80	Lens	Clear
PF	1	Lifespan	35,000 Hours

OVERVIEW

- CCT:** 5700K
- Applications:** IP65
- Efficacy:** 125-130lm/W
- Dimming:** 0-10V
- Lens Type:** Clear
- Operating Temp:** -40F° to 113F°
- Lifespan:** 35,000 Hours
- Warranty:** 2 Years

FEATURES

- 90 minutes of battery life that automatically activates when power loss is detected
- Nickel Cadmium battery recharges when power is flowing, charging to full in approximately 24 hours



SARIN INDOOR LED EMERGENCY LIGHTS light the way for occupants in offices, schools, hotels, homes, and commercial spaces when all other light sources fails. When this unit stops receiving power, it automatically activates and shines brightly for up to 90 minutes before needing to recharge again from its original power source.

These emergency lights are ideal in cases where lighting may no longer be available, black out situations, and any unforeseen events, guiding occupants to safety. The included photocell sensor allows the light to automatically activate at night.





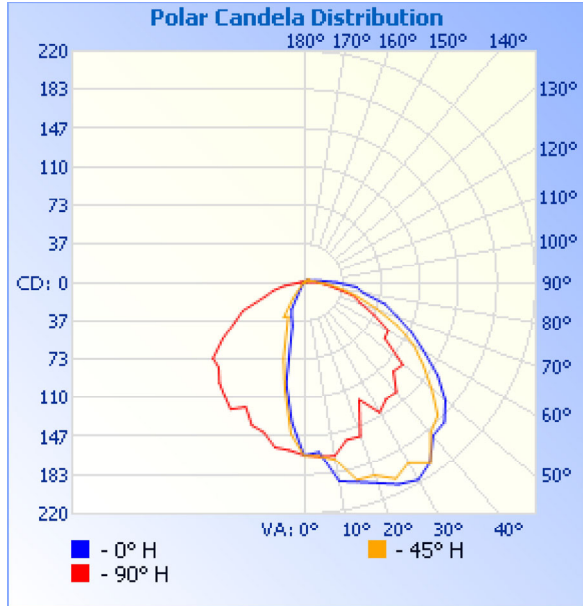
MWP06

EMERGENCY WALL LAMP

Project: _____ Type: _____

Name: _____ Date: _____

PHOTOMETRICS:



Illuminance at a Distance

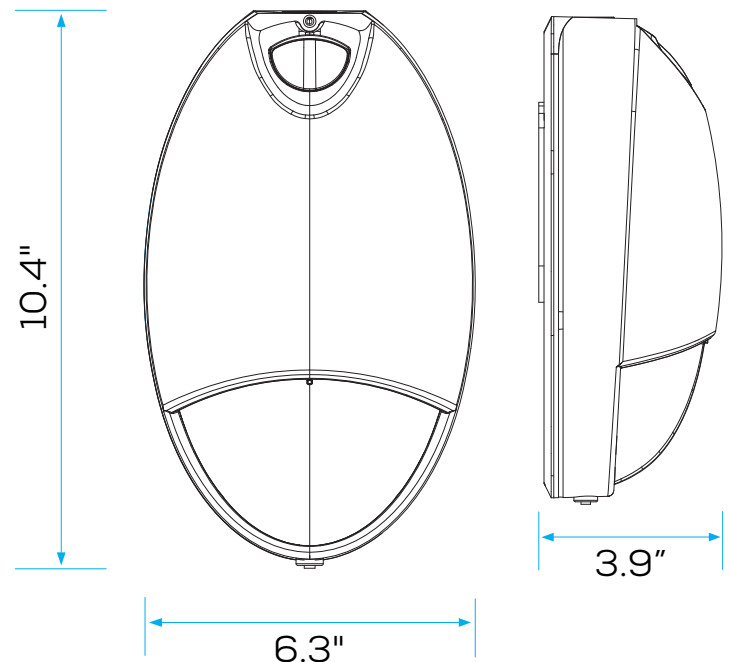
Distance	Center Beam fc	Beam Width
2.5ft	26.3 fc	3.8 ft 7.7 ft
5.0ft	6.58 fc	7.6 ft 15.3 ft
7.5ft	2.92 fc	11.4 ft 23.0 ft
10.0ft	1.64 fc	15.2 ft 30.7 ft
12.5ft	1.05 fc	19.0 ft 38.3 ft
15.0ft	0.73 fc	22.8 ft 46.0 ft

■ Vert. Spread: 74.5°
■ Horiz. Spread: 113.8°

IMPORTANT SAFEGUARDS:

1. Installation, service and maintenance should be performed by a qualified licensed electrician.
2. Make all electrical and grounded connections in accordance with national electrical code and any applicable local code requirements.
3. Disconnect power at fuse or circuit breaker before installing or servicing.
4. Review the diagrams thoroughly before beginning.
5. Do not mount in hazardous locations, or near gas or electric heaters.
6. Do not let power cords touch hot surfaces.
7. Equipment should be mounted in locations where it will not be subjected to tampering by unauthorized personnel.
8. Do not use equipment for other than its intended use.

DIMENSIONS:





MWP06

EMERGENCY WALL LAMP

Project: _____ Type: _____

Name: _____ Date: _____

ORDER FORM:

(*) Special Order/Not Commonly Stocked

Custom Model Assembly

Fixture	CCT	Watts	Beam Angle	Voltage
<input checked="" type="checkbox"/> WL7054	<input checked="" type="checkbox"/> 5700K	<input checked="" type="checkbox"/> 15W	<input checked="" type="checkbox"/> 100°	<input checked="" type="checkbox"/> 120-277V

SES-MWP06-5700-15
Example Model Number

SES – MWP06 – 5700K – 15W – 100° – 120-277V

Quantity

Fixture

CCT

Watts

Beam Angle

Voltage

Common Stock Models:

Item #	Model #
11405	SES-MWP06-5700-15