

2x2 Watts	20W + 30W + 40W	2x4 Watts	40W + 50W + 60W
Lumens	2600-5200lm	Lumens	5200-7800lm
Size	see diagram	CCT Tunable	3000K, 4000K, 5000K
Voltage	120-277V	IP Rating	IP40
Dimming	0-10V	Materials	Cold Rolled Steel, PC
Beam Angle	120°	Finish	White
CRI	>80	Lens	Frosted
PF	≥ 0.9	Lifespan	50,000 Hours

OVERVIEW

- CCT:** Tunable
- Applications:** IP40
- Efficacy:** 130lm/W
- Dimming:** 0-10V
- LED Type:** SMD 2835
- Lens Type:** Clear
- Operating Temp:** -4° to 113°
- Operating Humidity:** <10%
- Lifespan:** 50,000 Hours
- Warranty:** 7 Years

FEATURES

- Customize your experience with CCT Tunable and Watt Adjustable options

SARIN LED CCT Troffers are a combination of functional and decorative lighting, and are an excellent replacement for fluorescent ceiling fixtures. These Troffers are intended only for indoor use.

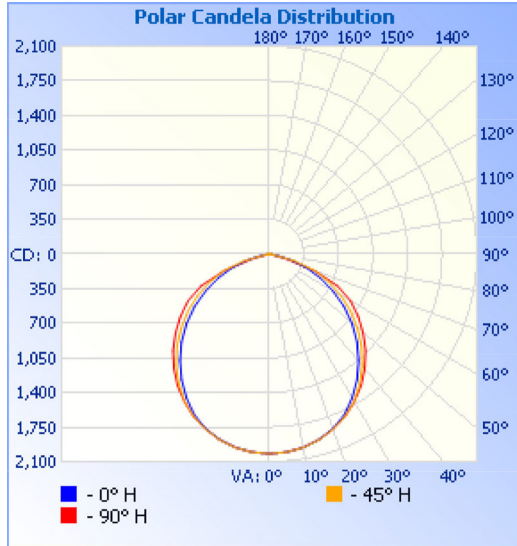
LED Indirect Troffers are ideal for locations that would benefit from soft lighting, such as waiting rooms, offices, places of worship, classrooms, and more. This fixture allows you to adjust the wattage and color temperature to your liking. Backed by our 7-year warranty, these fixtures are built to last and will provide years of worry-free, energy-efficient lighting!





PHOTOMETRICS:

TF22

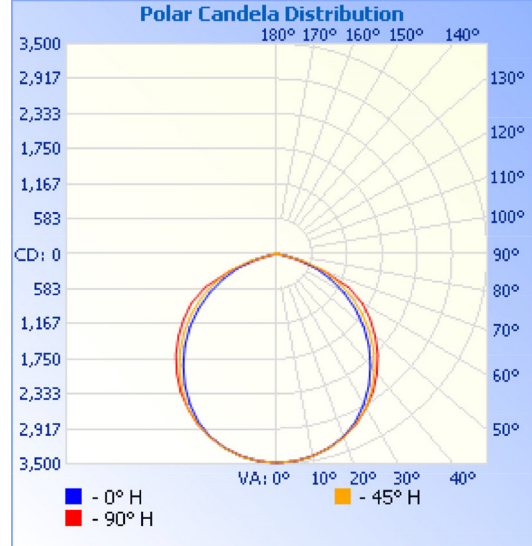


Illuminance at a Distance

	Center Beam fc	Beam Width	
1.7R	698 fc	4.4 ft	5.4 ft
3.3R	185 fc	8.6 ft	10.6 ft
5.0R	80.7 fc	13.0 ft	16.0 ft
6.7R	44.9 fc	17.4 ft	21.5 ft
8.3R	29.3 fc	21.6 ft	26.6 ft
10.0R	20.2 fc	26.0 ft	32.0 ft

■ Vert. Spread: 104.9°
■ Horiz. Spread: 116.0°

TF24

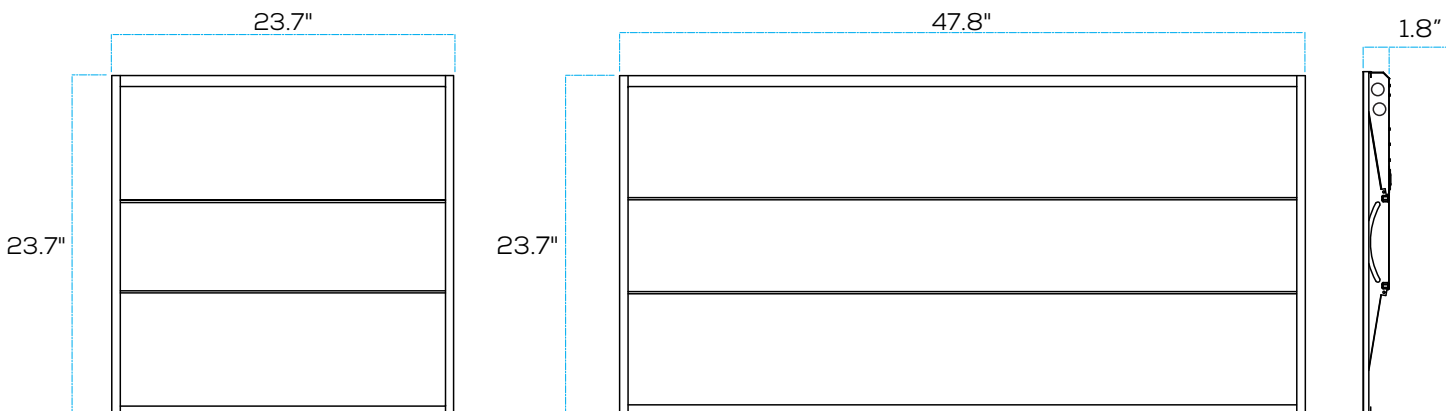


Illuminance at a Distance

	Center Beam fc	Beam Width	
1.7R	1,204 fc	4.4 ft	5.4 ft
3.3R	319 fc	8.6 ft	10.6 ft
5.0R	139 fc	13.0 ft	16.0 ft
6.7R	77.5 fc	17.4 ft	21.5 ft
8.3R	50.5 fc	21.6 ft	26.6 ft
10.0R	34.8 fc	26.0 ft	32.0 ft

■ Vert. Spread: 104.9°
■ Horiz. Spread: 116.0°

DIMENSIONS:



ORDER FORM:

(*) Special Order/Not Commonly Stocked

Custom Model Assembly

	Fixture	CCT	Watt Adjustable	Voltage
<input type="checkbox"/> T422	<input type="checkbox"/> Tunable	<input type="checkbox"/> 20W + 30W + 40W	<input type="checkbox"/> 100-277V	
<input type="checkbox"/> TF24	<input type="checkbox"/> 40W + 50W + 60W			

SES-TF24-Q01-S60-3050
 Example Model Number

_____	SES	—	Tunable	—	100-277V
Quantity		Fixture	CCT	Watt Adjustable	Voltage

Common Stock Models:

Item #	Model #
11450	SES-TF22-Q01-S40-3050
11451	SES-TF24-Q01-S60-3050