



SDL

LED Slim Fire-Rated Downlight

Project: _____ Type: _____

Name: _____ Date: _____



OVERVIEW

CCT: 2700K-5000K

Applications: Indoor IP44

Efficacy: 75-80lm/W

Dimming: Triac

LED Type: SMD 2835

Lens Type: Frosted

Operating Temp: -4F° to 113F°

Operating Humidity: 10-65%RH

Lifespan: 50,000 Hours

Warranty: 5 Years



Size	SDL4: 4.9" x 4.9" x 0.8" SDL6: 6.9" x 6.9" x 0.8"
Watts	SDL4: 9W SDL6: 15W
Voltage	AC120V
Dimming	Triac
Beam Angle	120°
CRI	>90
PF	>0.9

Lumens	SDL4: 675lm SDL6: 1200lm
CCT	2700K - 3000K - 3500K - 4000K - 5000K
IP Rating	IP44
Materials	Aluminum, Steel Casing
Finish	White
Lens	Frosted
Lifespan	50,000 Hours

FEATURES

- Safe in wet locations where water and humidity may come into contact
- Adjustable Color Temperature from warm (2700K) to bright white (5000K) wirelessly
- Fire-Rated for 2 hours

ACCESSORIES

- Junction Box (J-Box) included
- Spring Action Clips fit securely into their corresponding openings

SARIN LED SLIM DOWNLIGHTS remove the need for recessed cans, freeing up space for installation and hard-to-reach locations with a sleek and elegant look. This downlight is designed to reduce energy costs and maintenance intervals. The spring action clips and junction box eliminate the need for housing, making for easier installations.

SARIN's Fire-Rated Slim Downlights are code compliant for use in fire-rated constructions for up to a maximum of 2 hours.

ETL CLASSIFIED





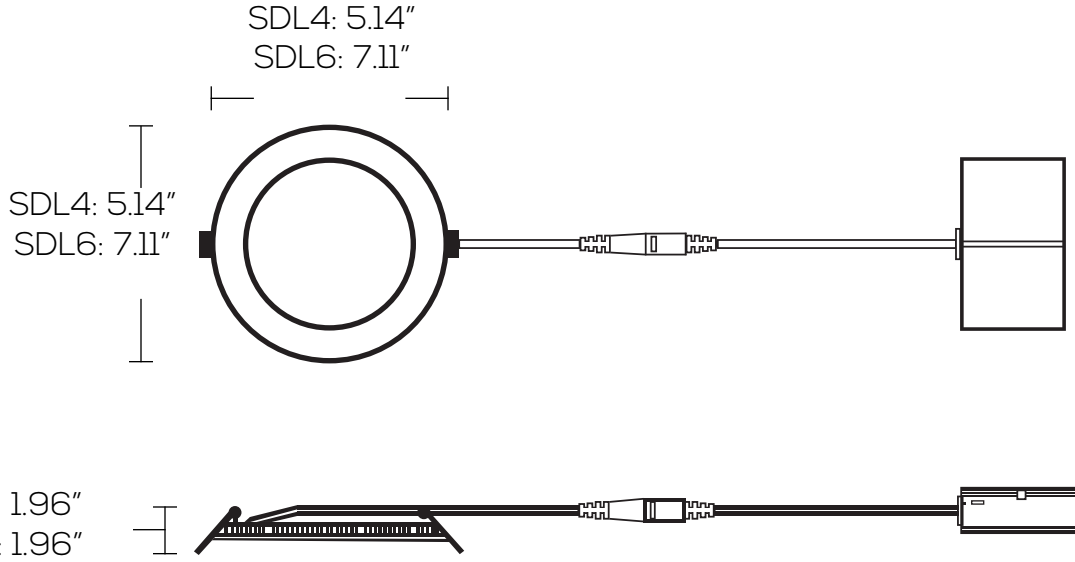
SDL

LED Slim Fire-Rated Downlight

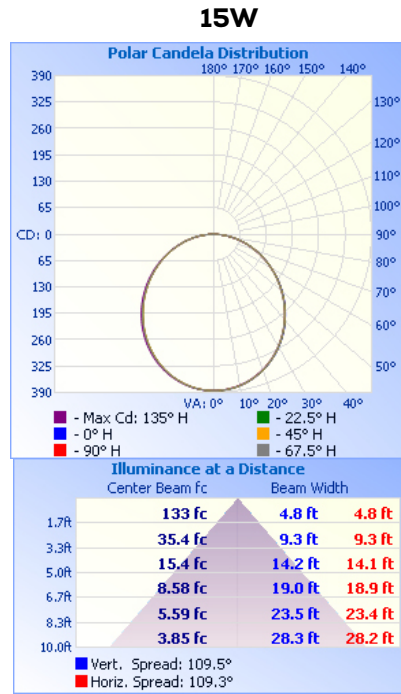
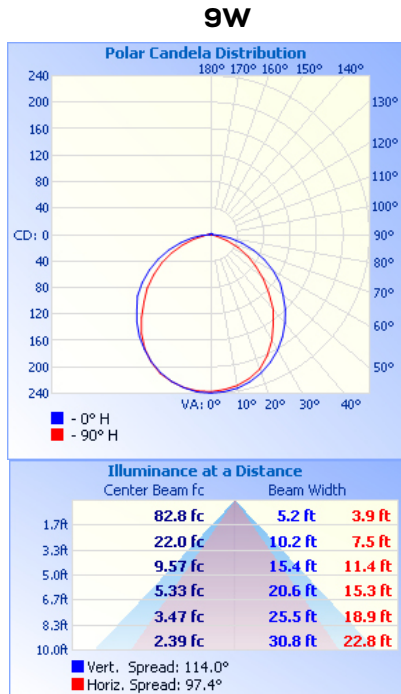
Project: _____ Type: _____

Name: _____ Date: _____

DIMENSIONS:



PHOTOMETRICS:





SDL

LED Slim Fire-Rated Downlight

Project: _____ Type: _____

Name: _____ Date: _____

ORDER FORM:

(*) Special Order/Not Commonly Stocked

Custom Model Assembly

	Fixture	CCT	Watts	Voltage
<input type="checkbox"/> SDL4FR	<input checked="" type="checkbox"/> Tunable	<input type="checkbox"/> 9W	<input checked="" type="checkbox"/> 120V	
<input type="checkbox"/> SDL6FR		<input type="checkbox"/> 15W		

_____	SES	—	—	CCT	—	—	120V
Quantity		Fixture		CCT		Watts	Voltage

SES-SDL6FR-CCT-15
Example Model Number

Common Stock Models:

Item #	Model #
11651	SES-SDL4FR-CCT-9
11652	SES-SDL6FR-CCT-15