

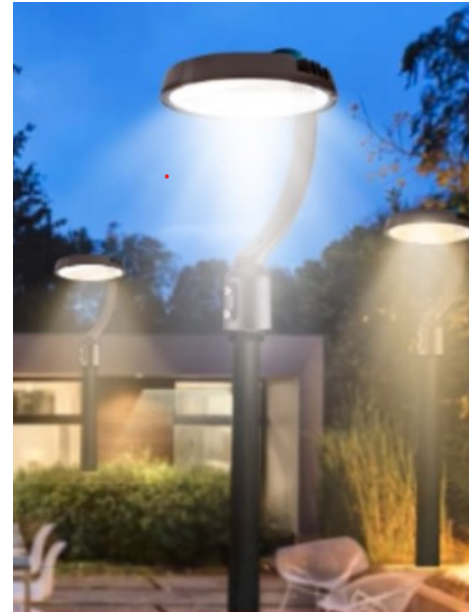


GS04

POST-TOP GARDEN LIGHT

Project: _____ Type: _____

Name: _____ Date: _____



Size	11.46" x 12.65" x 18.52"	Lumens	10725-11925lm
Watts	75W	CCT	3000K, 4000K, 5000K
Voltage	120-277V	IP Rating	IP65
Dimming	0-10V	Materials	Aluminum, PC
Beam Angle	120°	Finish	Bronze
CRI	>80	Lens	Clear
PF	≥ 0.9	Lifespan	50,000 Hours

OVERVIEW

- CCT:** Tunable
- Applications:** Outdoor (IP65)
- Efficacy:** 145-160lm/W
- Dimming:** 0-10V Dimming
- LED Type:** SMD2835
- Lens Type:** Clear
- Driver:** LF-FAA100
- Operating Temp:** -22F° to 122F°
- Operating Humidity:** 5%-95%RH
- Lifespan:** 50,000 Hours
- Warranty:** 5 Years

FEATURES

Optional Accessories:

- Photocell Sensor
- Shorting Cap
- Motion Sensor

Enhance the elegance of your exterior with our CCT tunable LED Post Top Lights, designed to seamlessly blend with your style and meet your lighting requirements. These versatile fixtures allow you to adjust the correlated color temperature, providing customizable ambiance and optimal illumination for any setting. Whether you're aiming for a warm, inviting glow or a bright, crisp light, our LED post top lights offer a stately and sophisticated accent to any outdoor space, ensuring both beauty and functionality. Perfect for pathways, gardens, and driveways, these lights not only elevate the aesthetic appeal but also contribute to energy efficiency and longevity.





GS04

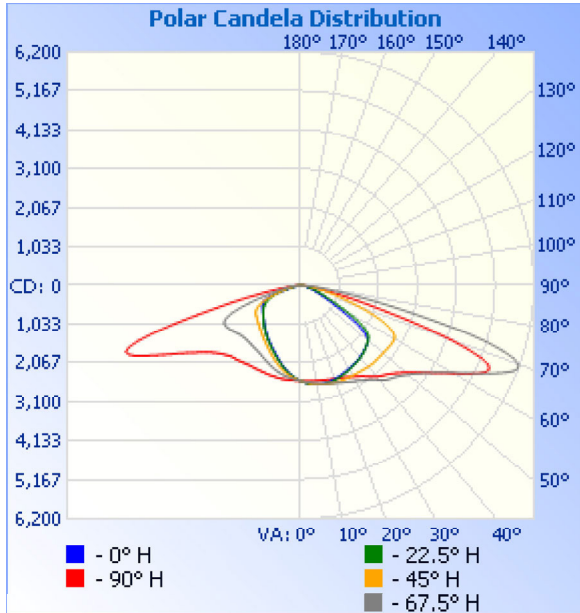
POST-TOP GARDEN LIGHT

Project: _____ Type: _____

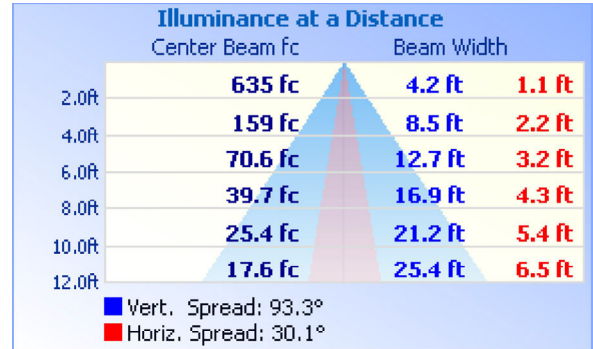
Name: _____ Date: _____

PHOTOMETRICS:

X° Beam Angle: (Polar Candela Dist.)



Light Distance: (Illuminance at a Distance)



IMPORTANT SAFEGUARDS:

1. Installation, service and maintenance should be performed by a qualified licensed electrician.
2. Make all electrical and grounded connections in accordance with national electrical code and any applicable local code requirements.
3. Disconnect power at fuse or circuit breaker before installing or servicing.
4. Review the diagrams thoroughly before beginning.
5. Do not mount in hazardous locations, or near gas or electric heaters.
6. Do not let power cords touch hot surfaces.
7. Equipment should be mounted in locations where it will not be subjected to tampering by unauthorized personnel.
8. Do not use equipment for other than its intended use.



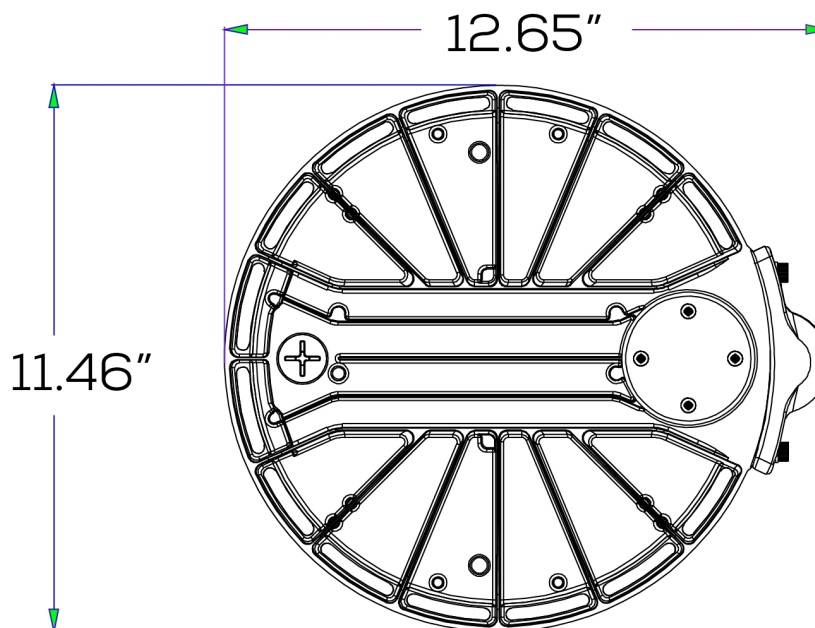
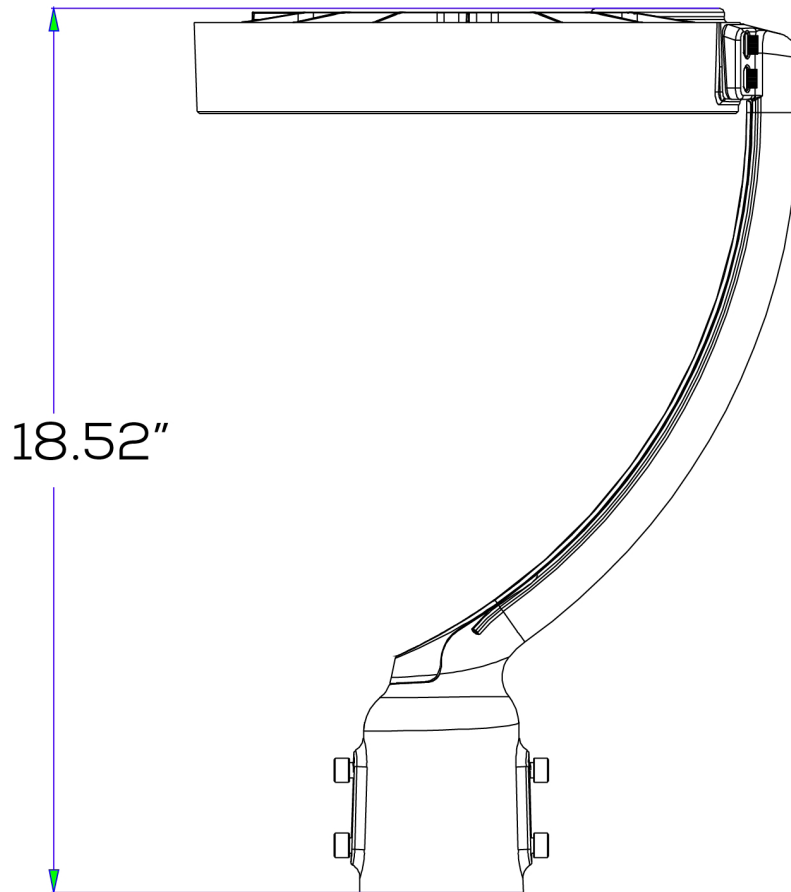
GS04

**POST-TOP
GARDEN LIGHT**

Project: _____ Type: _____

Name: _____ Date: _____

DIMENSIONS





GS04

POST-TOP GARDEN LIGHT

Project: _____ Type: _____

Name: _____ Date: _____

ORDER FORM:

(*) Special Order/Not Commonly Stocked

Custom Model Assembly

	Fixture	CCT	Watts	Beam Angle	Voltage
<u>SES-GS04-CCT-75</u> Example Model Number	<input checked="" type="checkbox"/> GS04	<input checked="" type="checkbox"/> 3000K <input checked="" type="checkbox"/> 4000K <input checked="" type="checkbox"/> 5000K	<input checked="" type="checkbox"/> 75W	<input checked="" type="checkbox"/> 120°	<input type="checkbox"/> 120-277V
<u>Quantity</u>	SES — GS04 —	CCT —	75W —	120° —	120-277V
	Fixture	CCT	Watts	Beam Angle	Voltage

Common Stock Models:

Item #	Model #
11455	SES-GS04-CCT-75