



WLOW0148P

# LED CCT OUTDOOR WALL SCONCE

Project: \_\_\_\_\_ Type: \_\_\_\_\_

Name: \_\_\_\_\_ Date: \_\_\_\_\_



## OVERVIEW

**CCT:** 3000K-4000K-5000K

**Applications:** Outdoor IP44

**Efficacy:** 60lm/W

**Dimming:** Non-Dimming

**LED Type:** 2835

**Operating Temp:** -4° to 113° F

**Lifespan:** 50,000 Hours

**Warranty:** 5 Years

<b>Size</b>	4.9" x 4.5" x 10.25"	<b>Lumens</b>	720lm
<b>Watts</b>	12W	<b>CCT</b>	3000K-4000K-5000K
<b>Voltage</b>	120V	<b>IP Rating</b>	IP44
<b>Dimming</b>	Non-Dimming	<b>Materials</b>	Metal , PC
<b>Beam Angle</b>	N/A	<b>Finish</b>	Black
<b>CRI</b>	>80	<b>Lens</b>	White
<b>PF</b>	≥0.5	<b>Lifespan</b>	50,000 Hours

## FEATURES

- Includes a CCT Tunable switch – easily select among three color temperatures
- Protected from the elements with an IP54 rating, making it suitable for rainy environments
- Powder Coated Black finish looks great in any location

## Accessories

- Setscrew
- Screws
- Rubber gasket



SARIN LED Decorative Outdoor Wall Sconces add functional lighting with a design element to any outdoor area. Constructed from solid aluminum, this fixture boasts a clean, straight-lined look with a dark grey finish square frame and features a CCT tunable switch.

This decorative LED wall sconce is ideal for exterior walls on hotels, homes, and offices.

LED Wall Sconces are safe to use in wet locations that come in direct contact with rain and water. This light has a switch to change between three color temperatures.



WLOW0148P

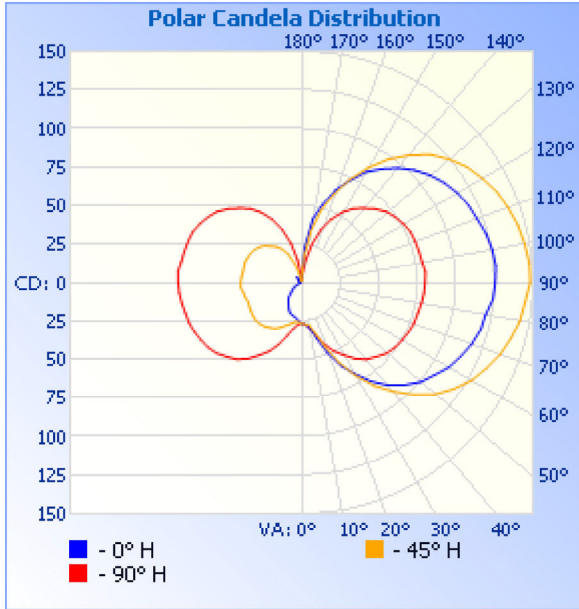
# LED CCT OUTDOOR WALL SCONCE

Project: \_\_\_\_\_ Type: \_\_\_\_\_

Name: \_\_\_\_\_ Date: \_\_\_\_\_

## PHOTOMETRICS:

X° Beam Angle: (Polar Candela Dist. )



Light Distance: (Illuminance at a Distance)

	Center Beam fc	Beam Width
1.7ft	<b>9.24 fc</b>	<b>20.6 ft</b>
3.3ft	<b>2.45 fc</b>	<b>39.9 ft</b>
5.0ft	<b>1.07 fc</b>	<b>60.5 ft</b>
6.7ft	<b>0.59 fc</b>	<b>81.0 ft</b>
8.3ft	<b>0.39 fc</b>	<b>100.4 ft</b>
10.0ft	<b>0.27 fc</b>	<b>121.0 ft</b>

■ Beam Spread: 161.2°

## IMPORTANT SAFEGUARDS:

1. Installation, service and maintenance should be performed by a qualified licensed electrician.
2. Make all electrical and grounded connections in accordance with national electrical code and any applicable local code requirements.
3. Disconnect power at fuse or circuit breaker before installing or servicing.
4. Review the diagrams thoroughly before beginning.
5. Do not mount in hazardous locations, or near gas or electric heaters.
6. Do not let power cords touch hot surfaces.
7. Equipment should be mounted in locations where it will not be subjected to tampering by unauthorized personnel.
8. Do not use equipment for other than its intended use.



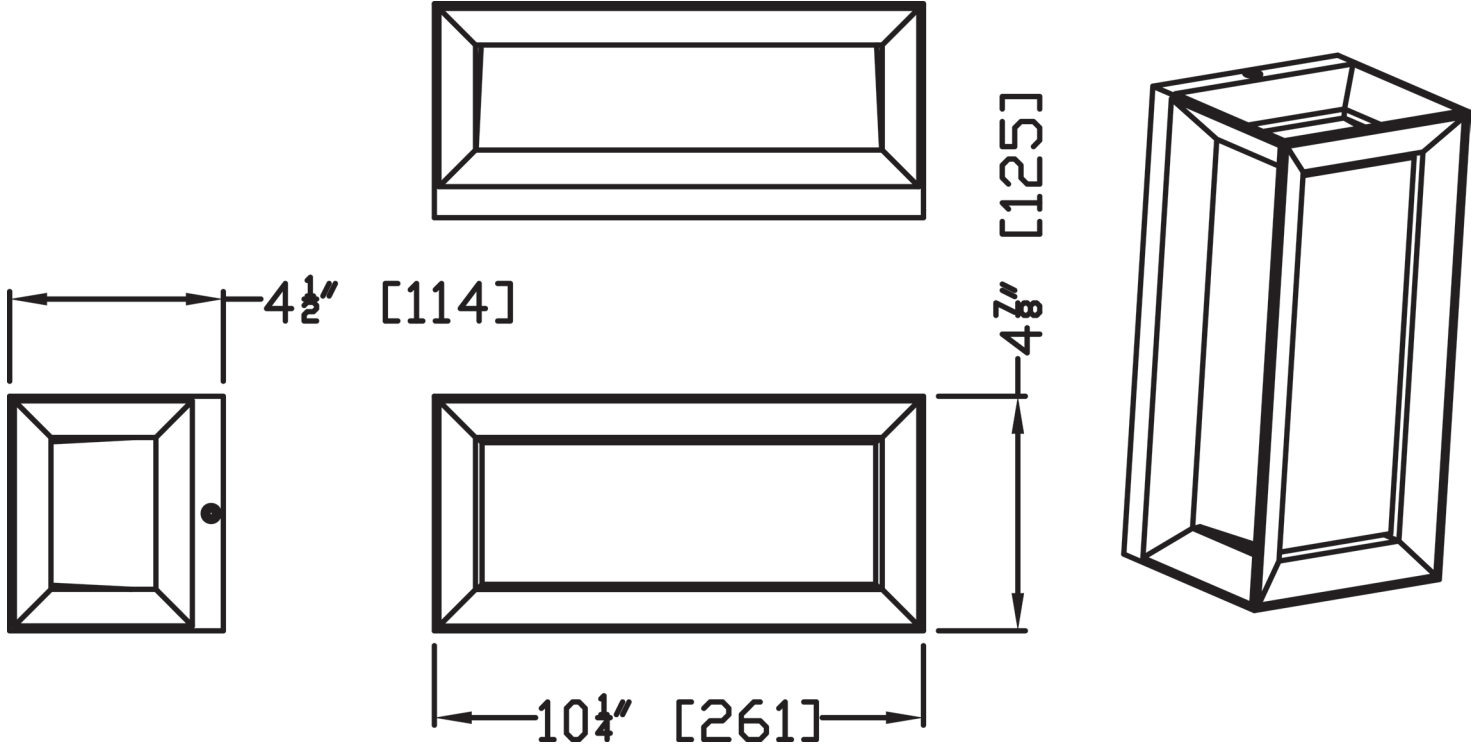
WLOW0148P

**LED CCT  
OUTDOOR  
WALL SCONCE**

Project: \_\_\_\_\_ Type: \_\_\_\_\_

Name: \_\_\_\_\_ Date: \_\_\_\_\_

**DIMENSIONS**





WLOW0148P

# LED CCT OUTDOOR WALL SCONCE

Project: \_\_\_\_\_ Type: \_\_\_\_\_

Name: \_\_\_\_\_ Date: \_\_\_\_\_

## ORDER FORM:

(\*) Special Order/Not Commonly Stocked

Custom Model Assembly

	Fixture	CCT	Watts	Beam Angle	Voltage
<input checked="" type="checkbox"/> WLOW0148P	<input checked="" type="checkbox"/> 3000K	<input checked="" type="checkbox"/> 12W	<input checked="" type="checkbox"/> N/A	<input checked="" type="checkbox"/> 120V	
	<input checked="" type="checkbox"/> 4000K				
	<input checked="" type="checkbox"/> 5000K				

SES-WL-OW0148P-CCT-12  
Example Model Number

	<b>SES</b>	— WLOW0148P —	<b>TUNABLE</b>	— <b>12W</b> —	<b>N/A</b>	— <b>120V</b>
<b>Quantity</b>	Fixture	CCT	Watts	Beam Angle	Voltage	

## Common Stock Models:

Item #	Model #
11404	SES-WL-OW0148P-CCT-12