

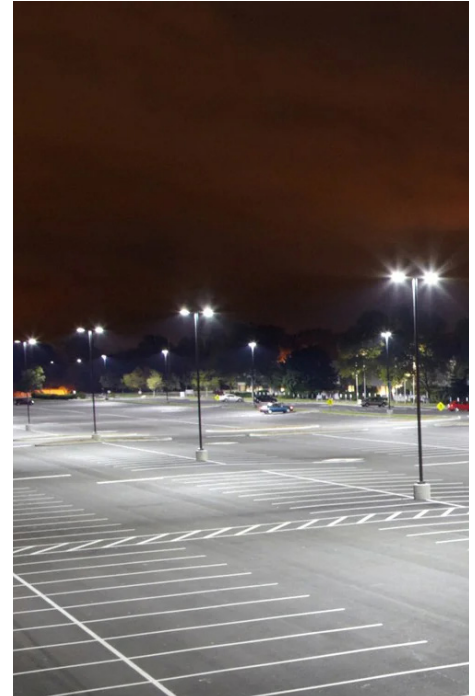


PL2

SLIM SHOEBOX LIGHT

Project: _____ Type: _____

Name: _____ Date: _____



Size	see dimensions	Lumens	25,500lm-85,000lm
Watts	100W, 150W, 500W	CCT	5700K
Voltage	120-277V; 200-480V	IP Rating	IP65
Dimming	0-10V	Materials	Aluminum, PC
Beam Angle	Type 3	Finish	Bronze
CRI	70	Lens	Clear
PF	≥ 0.9	Lifespan	50,000 Hours

OVERVIEW

CCT: 5700K

Applications: IP65

Efficacy: 155-170lm/W

Dimming: Non-Dimming

LED Type: SMD2835

Lens Type: Clear

Driver: SS-160NH

Operating Temp: -40F° to 113F°

Operating Humidity: 10%-95%RH

Lifespan: 50,000 Hours

Warranty: 5 Years

FEATURES

- Mount Options: Slip Fitter Mount & Large Yoke Mount
- Protected from the elements with an IP65 rating making it suitable for wet conditions





PL2

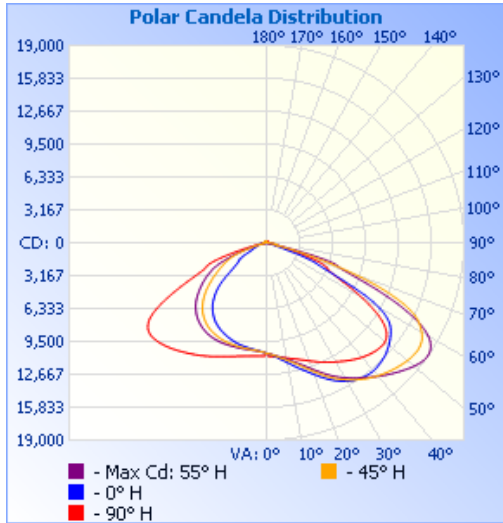
SLIM SHOEBOX LIGHT

Project: _____ Type: _____

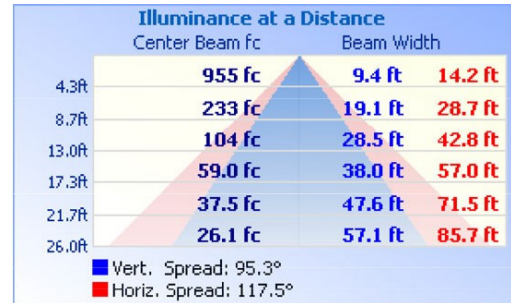
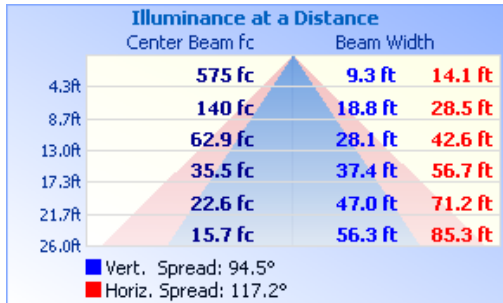
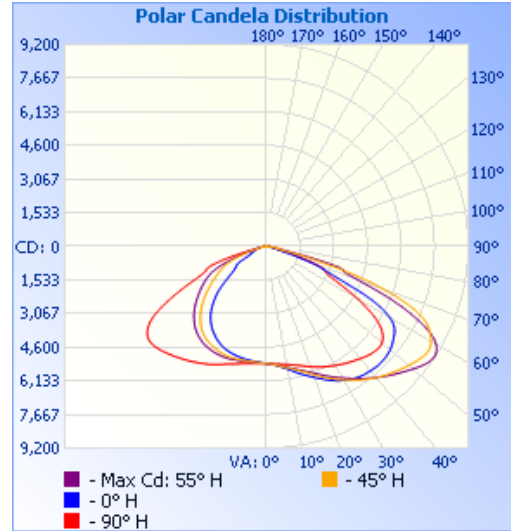
Name: _____ Date: _____

PHOTOMETRICS:

150W



500W





PL2

SLIM SHOEBOX LIGHT

Project: _____ Type: _____

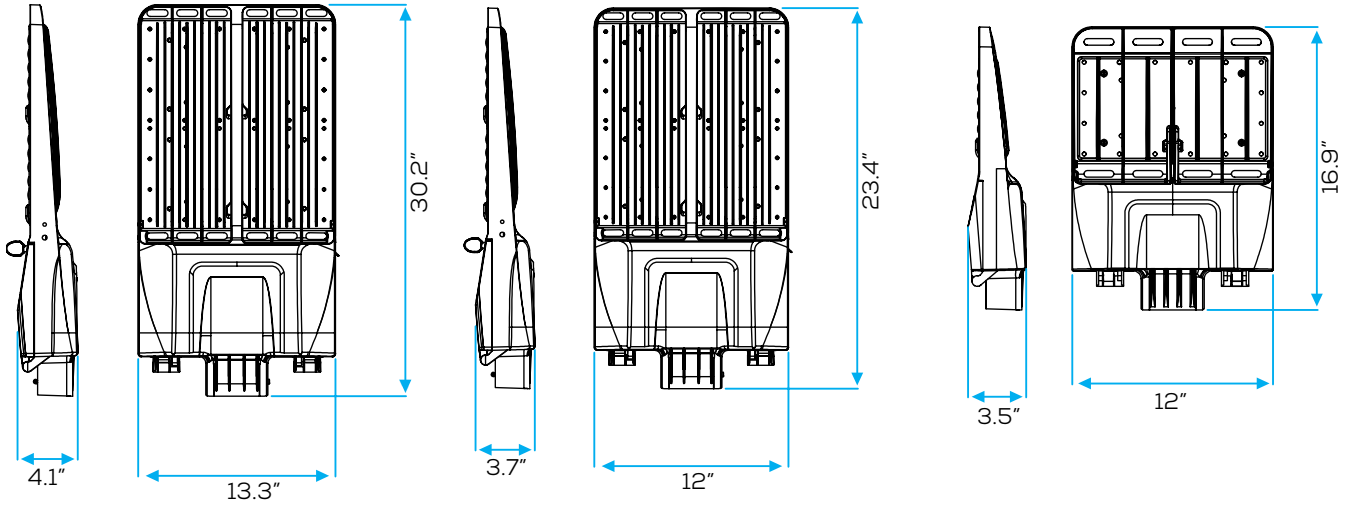
Name: _____ Date: _____

DIMENSIONS:

500W

150W

100W





PL2

SLIM SHOEBOX LIGHT

Project: _____ Type: _____

Name: _____ Date: _____

ORDER FORM:

(*) Special Order/Not Commonly Stocked

Custom Model Assembly

	Fixture	CCT	Watts	Beam Angle	Voltage
	<input checked="" type="checkbox"/> PL2	<input checked="" type="checkbox"/> 5700K	<input type="checkbox"/> 100W	<input checked="" type="checkbox"/> Type 3	<input type="checkbox"/> 100-277V
<u>SES-PL2-150W-LS-5700K-T3170D</u>			<input type="checkbox"/> 150W		<input type="checkbox"/> 200-480V
Example Model Number			<input type="checkbox"/> 500W		

SES - PL2 - 5700K - Type 3 -100-277V

Quantity

Fixture

CCT

Watts

Beam Angle

Voltage

Common Stock Models:

Item #	Model #
11306	SES-PL2-150W-LS-5700K-T3170D
11385	SES-PL2-500W-LS-5700K-T3170D
11384	SES-PL2-100W-5700K
11305	SES-PL2-500W-5700KXYHS (High Volt)

Optional Accessories:

Item #	Model #	QTY
40456-B	SES-PL-LARGE-YOKE	
40456-D	SES-PL-SLIP-FITTER	