

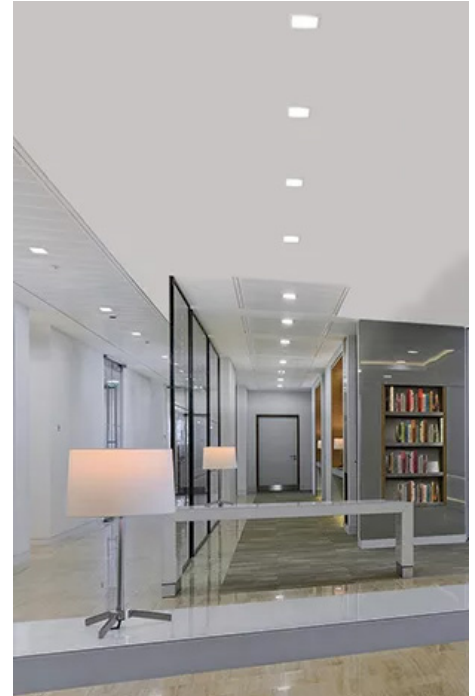


SSDL

# SLIM SQUARE DOWNLIGHT, 4IN 6IN 8IN

Project: \_\_\_\_\_ Type: \_\_\_\_\_

Name: \_\_\_\_\_ Date: \_\_\_\_\_



<b>Size</b>	see dimensions
<b>Watts</b>	9W, 14W, 18W
<b>Voltage</b>	120V
<b>Dimming</b>	TRIAC, DIP Switch
<b>Beam Angle</b>	110°
<b>CRI</b>	>80
<b>PF</b>	≥ 0.9

<b>Lumens</b>	780-1800lm
<b>CCT Tunable</b>	2700K-3000K-3500K-4000K-5000K
<b>IP Rating</b>	Damp Location (IP44)
<b>Materials</b>	Aluminum, PC
<b>Finish</b>	White
<b>Lens</b>	Frosted
<b>Lifespan</b>	50,000 Hours

## OVERVIEW

**CCT:** Tunable

**Applications:** Damp Location

**Efficacy:** 78-90lm/W

**Dimming:** TRIAC

**LED Type:** SMD2835

**Lens Type:** Frosted

**Driver:** Independent Research and development

**Operating Temp:** -4F° to 104F°

**Lifespan:** 50,000 Hours

**Warranty:** 5 Years

## FEATURES

- CCT Tunable with five color temperatures to choose from
- Frosted lens protects the eyes from glare while adding a warm, rich light



SARIN LED SLIM DOWNLIGHTS remove the need for recessed cans, freeing up space for installation and hard-to-reach locations with a sleek and elegant look. This downlight is designed to reduce energy costs and maintenance intervals. The spring action clips and junction box eliminate the need for housing, making for easier installations.

These downlights are meant for indoor use but can be installed in damp locations such as kitchens and bathrooms, where humidity and splashes of water are common. Access to space above the ceiling is required for installation.





**SSDL**

**SLIM SQUARE  
DOWNLIGHT,  
4IN 6IN 8IN**

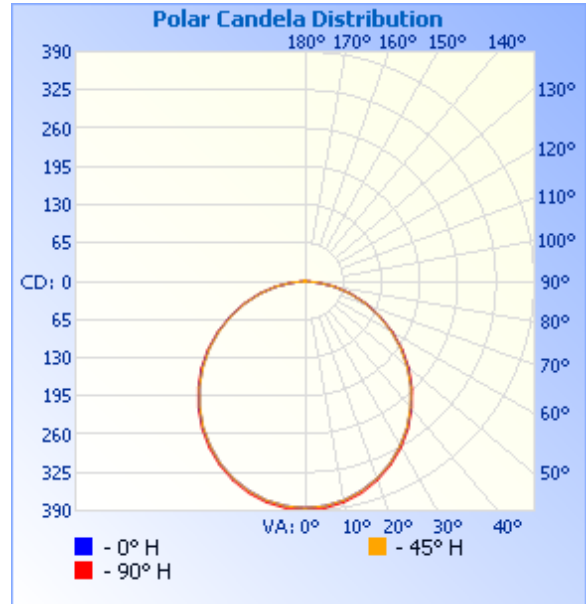
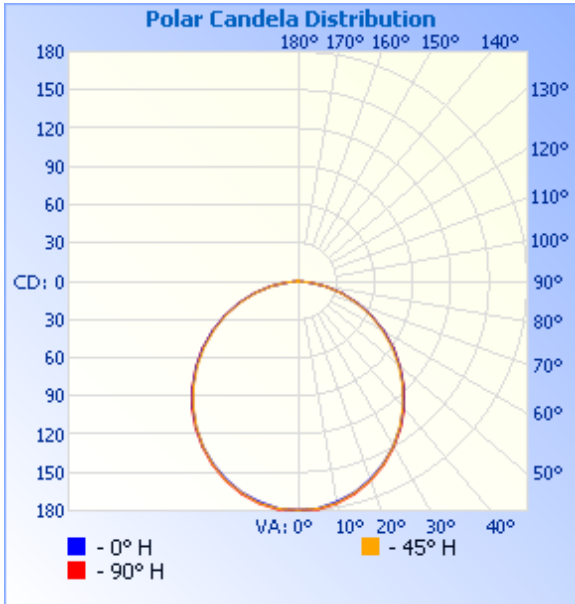
Project: \_\_\_\_\_ Type: \_\_\_\_\_

Name: \_\_\_\_\_ Date: \_\_\_\_\_

**PHOTOMETRICS:**

**SSDL4**

**SSDL6**



**Illuminance at a Distance**

	Center Beam fc	Beam Width	
1.7ft	62.1 fc	4.9 ft	5.0 ft
3.3ft	16.5 fc	9.5 ft	9.7 ft
5.0ft	7.17 fc	14.4 ft	14.7 ft
6.7ft	4.00 fc	19.3 ft	19.7 ft
8.3ft	2.60 fc	23.9 ft	24.4 ft
10.0ft	1.79 fc	28.8 ft	29.3 ft

■ Vert. Spread: 110.5°  
■ Horiz. Spread: 111.5°

**Illuminance at a Distance**

	Center Beam fc	Beam Width	
1.7ft	133 fc	5.0 ft	5.1 ft
3.3ft	35.4 fc	9.7 ft	9.9 ft
5.0ft	15.4 fc	14.7 ft	15.0 ft
6.7ft	8.58 fc	19.7 ft	20.1 ft
8.3ft	5.59 fc	24.5 ft	25.0 ft
10.0ft	3.85 fc	29.5 ft	30.1 ft

■ Vert. Spread: 111.7°  
■ Horiz. Spread: 112.7°



SSDL

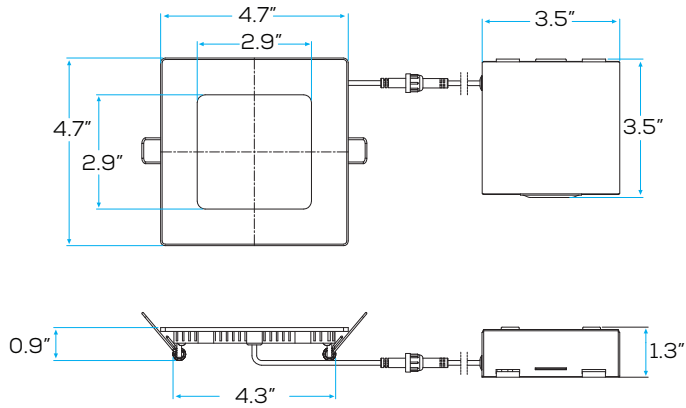
SLIM SQUARE  
DOWNLIGHT,  
4IN 6IN 8IN

Project: \_\_\_\_\_ Type: \_\_\_\_\_

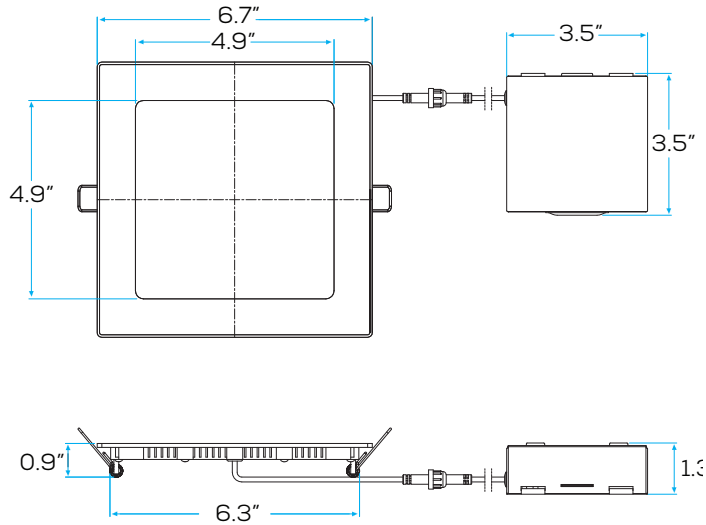
Name: \_\_\_\_\_ Date: \_\_\_\_\_

DIMENSIONS:

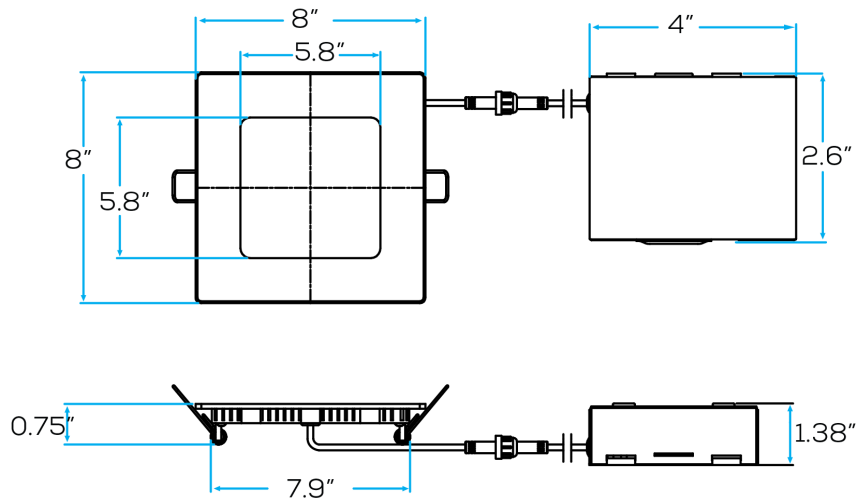
SSDL6



SSDL6



SSDL8





SSDL

SLIM SQUARE  
DOWNLIGHT,  
4IN 6IN 8IN

Project: \_\_\_\_\_ Type: \_\_\_\_\_

Name: \_\_\_\_\_ Date: \_\_\_\_\_

ORDER FORM:

(\*) Special Order/Not Commonly Stocked

Custom Model Assembly

	<b>Fixture</b>	<b>CCT</b>	<b>Watts</b>	<b>Beam Angle</b>	<b>Voltage</b>
SES-SSDL4-CCT-9 <small>Example Model Number</small>	<input checked="" type="checkbox"/> SSDL	<input checked="" type="checkbox"/> Tunable	<input type="checkbox"/> 9W <input type="checkbox"/> 14W <input type="checkbox"/> 18W	<input checked="" type="checkbox"/> 110°	<input checked="" type="checkbox"/> 120V
	<b>SES</b>	- <b>SSDL</b> -	- <b>Tunable</b> -	- <b>110°</b> -	<b>120V</b>
<b>Quantity</b>	Fixture	CCT	Watts	Beam Angle	Voltage

Common Stock Models:

Item #	Model #
11283	SES-SSDL4-CCT-9
11284	SES-SSDL6-CCT-14
11279	SES-SSDL8-CCT-18