

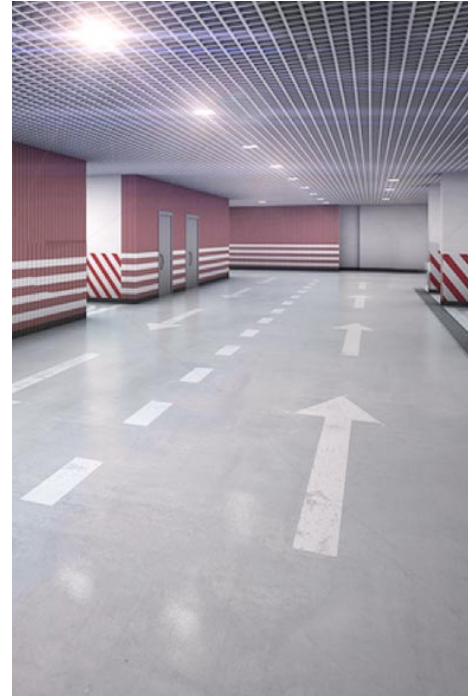


CP6

LED CANOPY LIGHT

Project: _____ Type: _____

Name: _____ Date: _____



Size	15" L x 15" W x 2.6" D	Lumens	95W: 14,535lm 150W: 20,250lm
Watts	95W, 150W	CCT	5700K
Voltage	120-277V	IP Rating	IP65
Dimming	0-10V	Materials	Die-Cast Aluminum
Beam Angle	120°	Finish	White
CRI	>80	Lens	Clear Stripe PC
PF	≥ 0.9	Lifespan	50,000 Hours

OVERVIEW

- CCT:** 5700K
- Applications:** IP65
- Efficacy:** 153lm/W, 135lm/W
- Dimming:** Non-Dimming
- LED Type:** SMD2835
- Lens Type:** Clear Stripe PC
- Driver:** SS-120NH-E260BH, SS-160NH-E260BH
- Operating Temp:** -40°F to 113°F
- Operating Humidity:** 20% - 90% RH
- Lifespan:** 50,000 Hours
- Warranty:** 7 Years

FEATURES

- Extremely high efficacy of 150 lumens per watt for the 95W fixture and 135lm/W for the 150W fixture, which saves on electricity usage





CP6

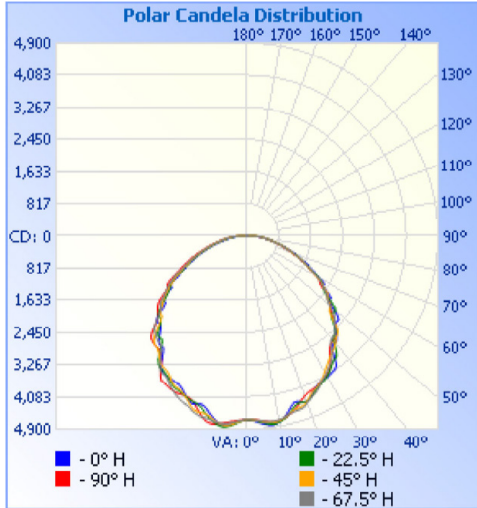
LED CANOPY LIGHT

Project: _____ Type: _____

Name: _____ Date: _____

PHOTOMETRICS:

95W

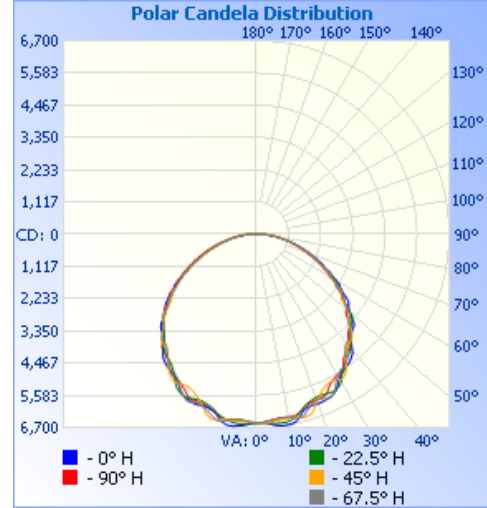


Illuminance at a Distance

	Center Beam fc	Beam Width	
4.3ft	252 fc	12.6 ft	12.7 ft
8.7ft	61.5 fc	25.5 ft	25.6 ft
13.0ft	27.6 fc	38.1 ft	38.3 ft
17.3ft	15.6 fc	50.7 ft	50.9 ft
21.7ft	9.89 fc	63.6 ft	63.9 ft
26.0ft	6.89 fc	76.2 ft	76.6 ft

■ Vert. Spread: 111.4°
■ Horiz. Spread: 111.6°

150W



Illuminance at a Distance

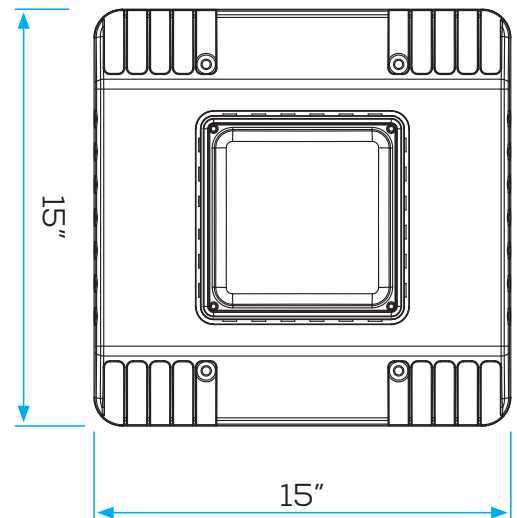
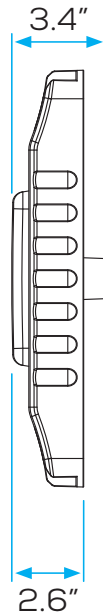
	Center Beam fc	Beam Width	
4.3ft	353 fc	13.8 ft	13.3 ft
8.7ft	86.3 fc	28.0 ft	26.8 ft
13.0ft	38.6 fc	41.9 ft	40.1 ft
17.3ft	21.8 fc	55.7 ft	53.4 ft
21.7ft	13.9 fc	69.9 ft	66.9 ft
26.0ft	9.66 fc	83.7 ft	80.2 ft

■ Vert. Spread: 116.3°
■ Horiz. Spread: 114.1°

IMPORTANT SAFEGUARDS:

DIMENSIONS:

1. Installation, service and maintenance should be performed by a qualified licensed electrician.
2. Make all electrical and grounded connections in accordance with national electrical code and any applicable local code requirements.
3. Disconnect power at fuse or circuit breaker before installing or servicing.
4. Review the diagrams thoroughly before beginning.
5. Do not mount in hazardous locations, or near gas or electric heaters.
6. Do not let power cords touch hot surfaces.
7. Equipment should be mounted in locations where it will not be subjected to tampering by unauthorized personnel.
8. Do not use equipment for other than its intended use.





CP6

LED CANOPY LIGHT

Project: _____ Type: _____

Name: _____ Date: _____

ORDER FORM:

(*) Special Order/Not Commonly Stocked

Custom Model Assembly

Fixture

CP6

CCT

5700K

Watts

95W

150W

Beam Angle

120°

Voltage

120-277V

SES-CP6-5700-95
Example Model Number

SES - CP6 - 5700K - 120° - 120-277V

Quantity

Fixture

CCT

Watts

Beam Angle

Voltage

Common Stock Models:

Item #	Model #
11464	SES-CP6-02-5700-95
11468	SES-CP6-02-5700-150