

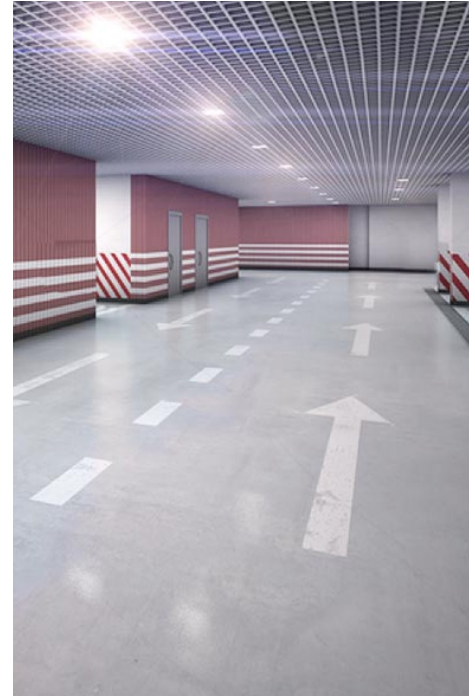
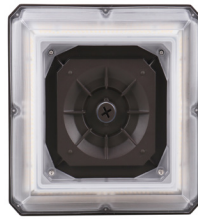


PG07

CCT PARKING GARAGE LIGHT

Project: _____ Type: _____

Name: _____ Date: _____



Size	9.6" L x 9.6" W x 3.6" H	Lumens	9,375 - 10,125lm
Watts	75W	CCT	3000K-4000K-5000K
Voltage	AC120-277V	IP Rating	IP65
Dimming	0-10V	Materials	Die-Cast Aluminum
Beam Angle	190°	Finish	White or Bronze
CRI	>80	Lens	Clear
PF	≥ 0.9	Lifespan	50,000 Hours

OVERVIEW

- CCT:** 3000K-4000K-5000K
- Applications:** IP65
- Efficacy:** 125-140lm/W
- Dimming:** 0-10V
- LED Type:** Lumileds 2835
- Lens Type:** Lumileds Holding B.V L128-XX80RA35000H1
- Driver:** BQE85-1650-48-PV
- Operating Temp:** -31°F to 122°F
- Operating Humidity:** 10% - 90% RH
- Lifespan:** 50,000 Hours
- Warranty:** 5 Years

FEATURES

- IP65 rating, ideal for outdoor application with protection from the elements
- Extremely high efficacy of 130-135 lumens per watt, which saves on electricity usage





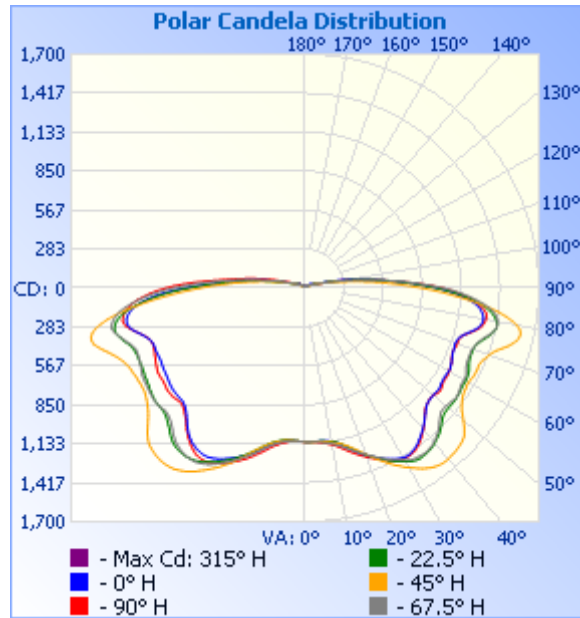
PG07

CCT PARKING GARAGE LIGHT

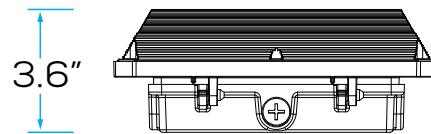
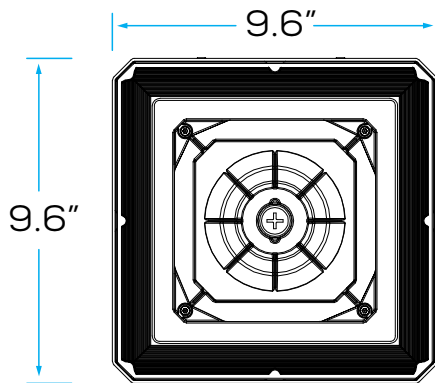
Project: _____ Type: _____

Name: _____ Date: _____

PHOTOMETRICS:



DIMENSIONS:





PG07

CCT PARKING GARAGE LIGHT

Project: _____ Type: _____

Name: _____ Date: _____

ORDER FORM:

(*) Special Order/Not Commonly Stocked

Custom Model Assembly

Fixture	CCT	Watts	Finish	Voltage
<input checked="" type="checkbox"/> PG07	<input checked="" type="checkbox"/> Tunable	<input checked="" type="checkbox"/> 75W	<input type="checkbox"/> White	<input checked="" type="checkbox"/> 120-277V
			<input type="checkbox"/> Bronze	

SES-PG07-CCT-75W
Example Model Number

SES – PG07 – Tunable – 75W – White – 120-277V

Quantity

Fixture

CCT

Watts

Finish

Voltage

Common Stock Models:

Item #	Model #
11334	SES-PG07-CCT-75W (White)
11354	SES-PG07-CCT-75W-BR (Bronze)