



WR03 | LED Wraparound Fixture

Project: _____ Type: _____

Name: _____ Date: _____



OVERVIEW



- Tunable:** 3000K-4000K-5000K
- Applications:** Indoor IP20
- Efficacy:** 85lm/W
- Dimming:** Optional 0-10V
- LED Type:** SMD2835
- Lens Type:** PC
- Driver:** LKD-40H700-56V-MV-2
BOE45C-1000-40-PV (Dimmable)
- Operating Temp:** -24.8 °F to 104°F
-0 °F to 104°F (Dimmable)
- Lifespan:** 50,000 hours
- Warranty:** 5 years

Size	47 ³ / ₈ " x 5 ³ / ₈ " x 2 ¹ / ₂ "	Lumens	3400lm
Watts	40W	CCT	3000K-4000K-5000K
Voltage	AC120-277V	IP Rating	IP20
Dimming	Optional 0-10V	Materials	Steel, PC
Beam Angle	N/A	Finish	White
CRI	>80	Lens	PC
PF	>0.95	Lifespan	50,000 Hours

FEATURES

- Base is made out of high quality steel for extra durability
- Linkable end-caps allow for easy extensions and connections

ACCESSORIES

- (3) Wire Nuts
- (4) Screws
- (4) Ceiling Anchors

SARIN LED WRAPAROUND FIXTURES are designed to replace outdated fluorescent lighting with top-grade LEDs that last for about 50,000 hours. These fixtures are recommended for commercial spaces, office areas, retail locations, classrooms and more.

The base has a sleek white finish and is made out of high-quality steel. The end-caps are polycarbonate (PC) with knockouts that allow you to link other fixtures together or to extend the power lines with ease. The diffuser is frosted white and is also made out of PC. This product is available in dimmable, non-dimmable options, and integrated emergency backup versions.

Intended for indoor use.

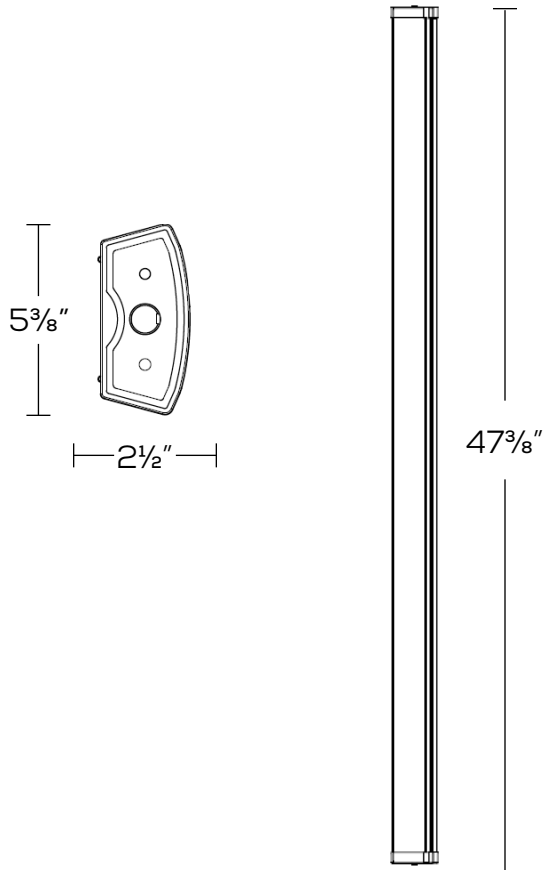


WR03 | LED Wraparound Fixture

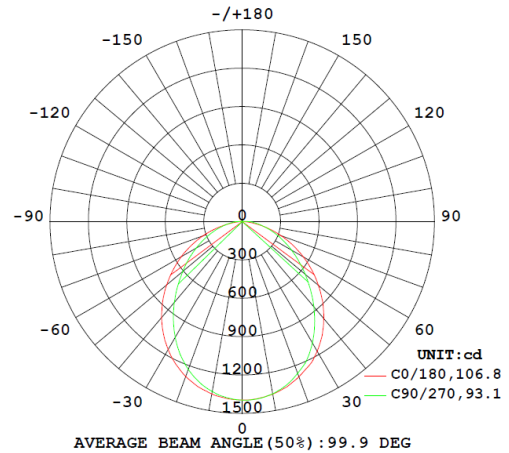
Project: _____ Type: _____

Name: _____ Date: _____

DIMENSIONS:

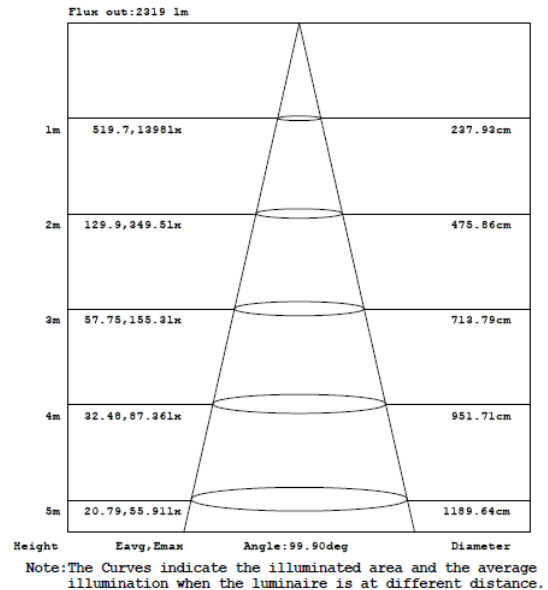


PHOTOMETRICS:



IMPORTANT SAFEGUARDS:

1. Installation, service and maintenance should be performed by a qualified licensed electrician.
2. Make all electrical and grounded connections in accordance with national electrical code and any applicable local code requirements.
3. Disconnect power at fuse or circuit breaker before installing or servicing.
4. Review the diagrams thoroughly before beginning.
5. Do not mount in hazardous locations, or near gas or electric heaters.
6. Do not let power cords touch hot surfaces.
7. Equipment should be mounted in locations and at heights where it will not be subjected to tampering by unauthorized personnel.
8. Do not use equipment for other than its intended use.



WR03 | LED Wraparound Fixture

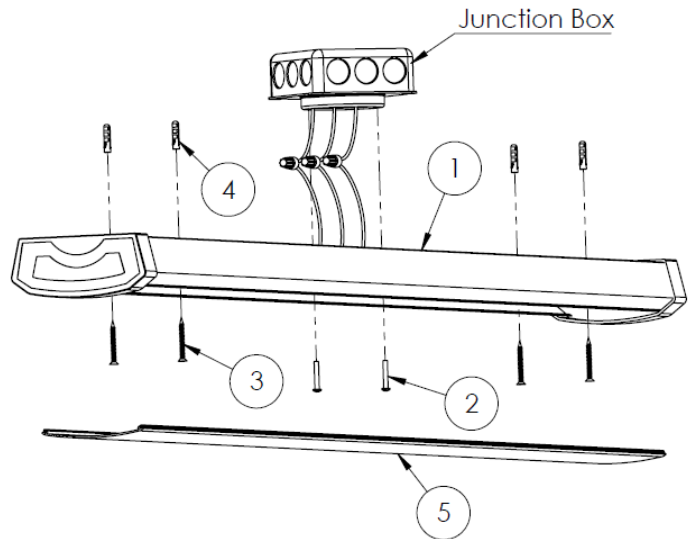
Project: _____ Type: _____

Name: _____ Date: _____

INSTALLATION:

Fixture Mounting

1. Remove diffuser (5) from assembly (1) in order to mount fixture to the ceiling.
2. Position the channel assembly (1) onto the ceiling aligning with junction box screws and mark all appropriate mounting locations for drywall anchors.
3. Take the channel assembly (1) down and punch a small hole in the wall at each of the locations using a nail to see if there is a wall stud to mount the fixture to.
4. Where there is a wall stud, use a suitable screw (3) to mount the fixture.
5. Where there is no stud to screw into, a drywall anchor or toggle bolt (4) must be used to mount the channel assembly securely to the wall.



Wiring

Caution: Make sure power is off at fuse or circuit breaker box. Check power wires for damage or scrapes. If power supply wires are within three inches of drivers, use wire suitable for at least 194°F.

Note: Most dwellings built before 1985 have supply wire rated to 140°F. Consult a qualified electrician before installing.

This unit will not operate properly unless connected to a "grounded" electrical circuit. Electrical shock, over heating, low or no light output, and shortened lamp life can result if proper grounding is not done.

1. Feed the green (or green/yellow) wire through knockout and securely attach to provided green ground screw.
2. Feed the white and black wires through knockout. Using provided wire nuts connect white supply wire to white LED driver wire, connect black hot supply wire to black LED driver wire.
3. If fixture connects to 0-10V dimmer, connect "Dim+" supply wire to purple fixture wire, "Dim-" supply wire to grey fixture wire using wire nuts.
4. Wrap all wire connections with electrical tape for secure connection.
5. Pull on each wire lead to verify all connections are secure. Make sure no bare wires are exposed outside of the wire nuts. Secure channel assembly (1) to wall.

Diffuser Assembly

1. Toggle the 3-CCT changing switch and adjust to the color temperature that you need.
2. Align long side of diffuser (5) to inside edge of channel assembly (1) interlocking the edges.
3. Using light pressure flex diffuser (5) to allow opposite side to snap into channel assembly.

WR03 | LED Wraparound Fixture

Project: _____ Type: _____

Name: _____ Date: _____

ORDER FORM:

(*) Special Order/Not Commonly Stocked

Custom Model Assembly

	Fixture	CCT	Watts	Voltage	Dimming
	<input checked="" type="checkbox"/> WR03	<input checked="" type="checkbox"/> 3000K	<input checked="" type="checkbox"/> 40W	<input checked="" type="checkbox"/> 120-277	<input type="checkbox"/> D
		<input checked="" type="checkbox"/> 4000K			<input type="checkbox"/> EM
		<input checked="" type="checkbox"/> 5000K			

SES-WR03-CCT-40-D
Example Model Number

SES	—	WR03	—	—	—	—				
Quantity		Fixture		CCT		Watts		Voltage		Dimming

Common Stock Models:

Item #	Model #
10828	SES-WR03-CCT-40
10829	SES-WR03-CCT-40-D (Dimmable)
11143	SES-WR03-CCT-40-EM (Emergency)