



WL3101

LED CCT WALL SCONCE

Project: _____ Type: _____

Name: _____ Date: _____



Size	4" L x 4" W x 4" D	Lumens	650-750lm
Watts	5W x 2	CCT	3000K-3500K-4000K-5000K-6500K
Voltage	100-240V	IP Rating	IP65
Dimming	Non-Dimming	Materials	Aluminum, PC
Beam Angle	0-90°	Finishes	Black
CRI	>80	Lens	Clear
PF	≥ 0.9	Lifespan	25,000 Hours

OVERVIEW

CCT: 3000K-3500K-4000K-5000K-6500K

Applications: IP54

Efficacy: 65-75lm/W

Dimming: Non-Dimming

LED Type: COB

Lens Type: Clear

Driver: PNW012451A

Operating Temp: -4° to 104° F

Operating Humidity: 10%-65% RH

Lifespan: 25,000 Hours

Warranty: 3 Years

SARIN LED CCT Wall Sconces add functional lighting with a design element to any outdoor area. Constructed from solid aluminum, this contemporary light features a clear crackle glass shade that provides a unique light pattern on surrounding walls when lit. With an IP Rating of IP65, this wall light is highly weather resistant.

This decorative LED wall sconce is ideal for exterior walls on hotels, homes, and offices.

LED Wall Sconces are safe to use in wet locations that come in direct contact with rain and water.

FEATURES

- Protected from the elements with an IP65 rating making it suitable for wet conditions
- Durable aluminum housing protects from wear and tear





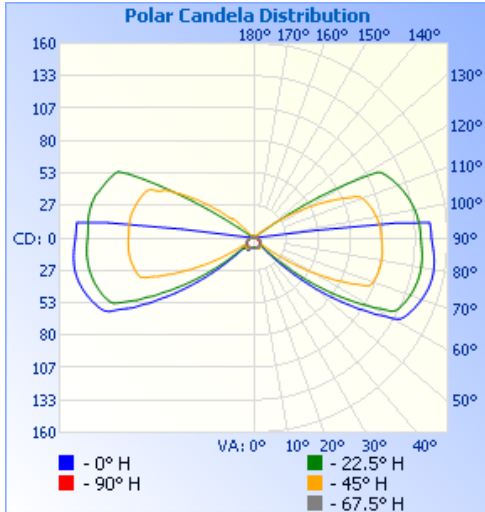
WL3101

LED CCT WALL
SCONCE

Project: _____ Type: _____

Name: _____ Date: _____

PHOTOMETRICS:



Illuminance at a Distance

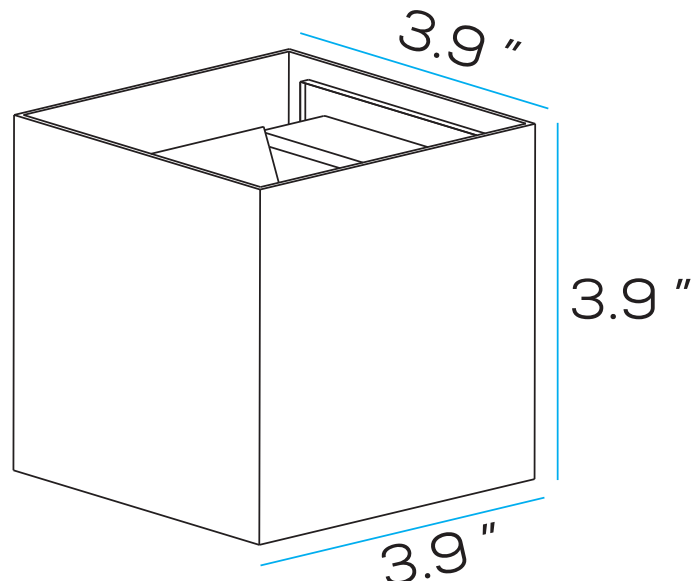
	Center Beam fc	Beam Width	
1.7ft	3.00 fc	1.4 ft	4.1 ft
3.3ft	0.80 fc	2.7 ft	8.0 ft
5.0ft	0.35 fc	4.1 ft	12.1 ft
6.7ft	0.19 fc	5.5 ft	16.2 ft
8.3ft	0.13 fc	6.8 ft	20.0 ft
10.0ft	0.09 fc	8.2 ft	24.1 ft

■ Vert. Spread: 44.5°
■ Horiz. Spread: 100.7°

IMPORTANT SAFEGUARDS:

DIMENSIONS:

1. Installation, service and maintenance should be performed by a qualified licensed electrician.
2. Make all electrical and grounded connections in accordance with national electrical code and any applicable local code requirements.
3. Disconnect power at fuse or circuit breaker before installing or servicing.
4. Review the diagrams thoroughly before beginning.
5. Do not mount in hazardous locations, or near gas or electric heaters.
6. Do not let power cords touch hot surfaces.
7. Equipment should be mounted in locations where it will not be subjected to tampering by unauthorized personnel.
8. Do not use equipment for other than its intended use.





WL3101

LED CCT WALL SCONCE

Project: _____ Type: _____

Name: _____ Date: _____

ORDER FORM:

(*) Special Order/Not Commonly Stocked

Custom Model Assembly

Fixture	CCT	Watts	Beam Angle	Voltage
<input checked="" type="checkbox"/> WL2027M	<input checked="" type="checkbox"/> Tunable	<input checked="" type="checkbox"/> 10w	<input checked="" type="checkbox"/> 0-90°	<input checked="" type="checkbox"/> 100-240V

SES-WL3101-10-5CCT
Example Model Number

SES — WL3101 — Tunable — 10W — 0-90° — 100-240V

Quantity

Fixture

CCT

Watts

Beam Angle

Voltage

Common Stock Models:

Item #	Model #
11472	SES-WL3101-10-5CCT